



Low pressure axial duct fan

- Available with AC motors for 50 and 60Hz
- Installation in any position
- Noise and energy optimized impeller

[Find more details in our online catalogue](#)

Technical parameters

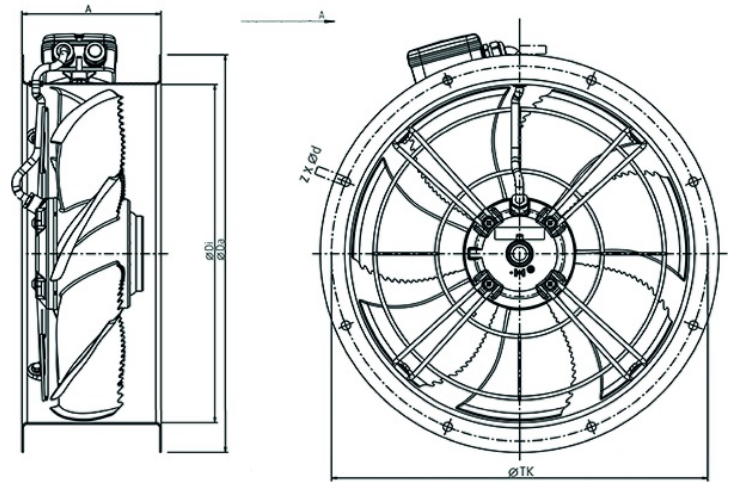
Nominal data	
Voltage (nominal)	400 V
Frequency	50 Hz
Phases	3~
Motor circuit connection	D
Input power	1,050 W
Input current	2.2 A
Impeller speed	1,280 rpm
Air flow	max 3.151 m ³ /s
Air flow at max. efficiency	2.062 m ³ /s
Specific ratio	1
Temperature of transported air	max 70 °C
Max temperature of transported air, when speed controlled	70 °C

Protection/Classification	
Enclosure class, motor	IP54
Insulation class	F

Data according to ErP	
ErP ready	ErP 2018
Measurement category	A
Efficiency grade	40.1 η_{actual}
Efficiency, static	33.7 η_{statA}
Target efficiency grade ErP2013	36 $\eta_{target2013}$
Target efficiency grade ErP2015	40 $\eta_{target2015}$

Dimensions and weights	
Duct dimension; Circular, inlet	560 mm
Duct dimension; Circular, outlet	560 mm
Weight	23.2 kg

Dimension



	A	ØDi	ØDa	ØTK	z x Ød
AR 560 sileo	235	559	650	620	12 x Ø11,5

Wiring

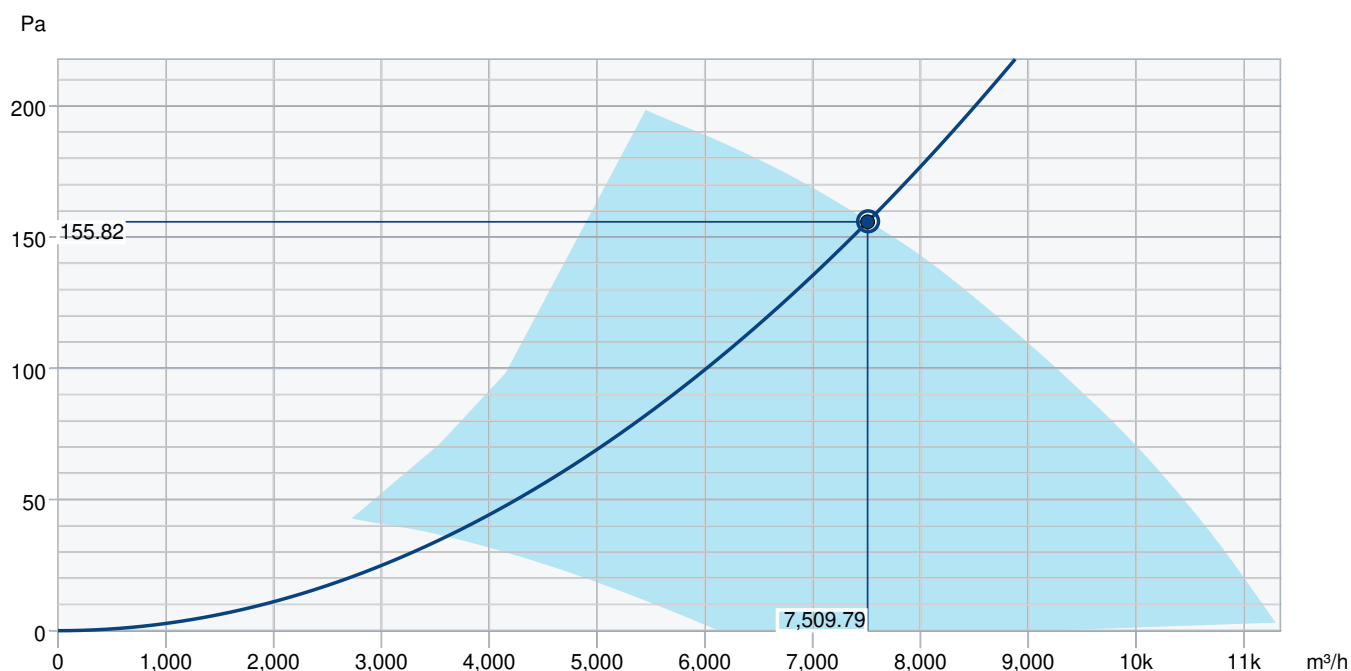


High speed Low Speed

Δ -Connection Y-Connection

Others	
Duct connection type	Circular
Color name, casing	Black
Motor type	AC

Performance curve



Hydraulic data										
Required air flow	7,514.42 m³/h									
Required static pressure	156 Pa									
Working air flow	7,509.79 m³/h									
Working static pressure	156 Pa									
Air density	1.204 kg/m³									
Power	988.7 W									
Fan control - RPM	1,301 rpm									
Current	2.10 A									
SFP	0.474 kW/m³/s									
Control voltage	400.0 V									
Supply voltage	400 V									
Sound power level		63	125	250	500	1k	2k	4k	8k	Total
Inlet	dB(A)	25	46	57	67	75	75	71	60	79
Outlet	dB(A)	24	45	58	69	75	75	71	60	79
Accessories										

Accessories

[EV-AR/AXC 560 flex.conn. 70°C \(8357\)](#)
[Frequency converter FRQS-4A \(36231\)](#)
[GFL-AR/AXC 560 counter flange \(8381\)](#)
[Motor protect. switch S-DT 16E \(161207\)](#)
[RTRD 3 Speed control IP54 \(32594\)](#)
[RTRDU 4 Speed contr. Systemair \(5946\)](#)
[Step switch S-DT2SKT, Y/D \(2697\)](#)

[Frequency converter FRQ5S-4A \(36233\)](#)
[Frequency converter FXDMSAM \(31387\)](#)
[MFA-AXC/AM 560 mounting foot \(311288\)](#)
[REV-5POL/07-7,5kW R/Y \(33980\)](#)
[RTRD 4 Speed cont. Systemair \(5942\)](#)
[SG AXC/AM/AR 560 guard grill \(310690\)](#)

Documents

[L-BAL-001-SYSTEMAIR.PDF](#)
[UKCA Declaration of Conformity_002](#)
[installation variations_1_AR_AW.pdf](#)