

## Mounting rail for panel filter



### Danger

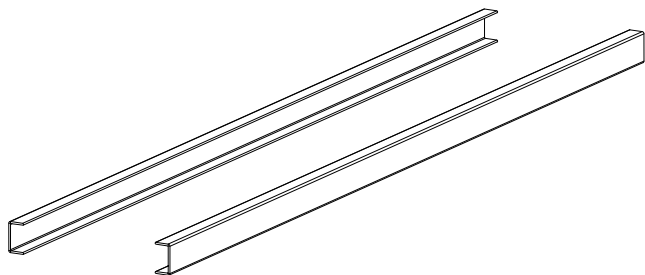
Disconnect the mains power supply to the unit before performing any work.



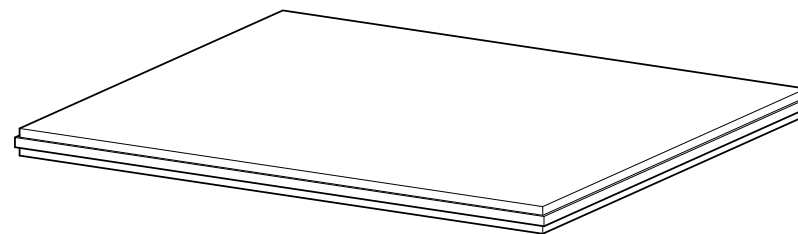
### Caution

Risk of injury through pinching. Use protective clothing.

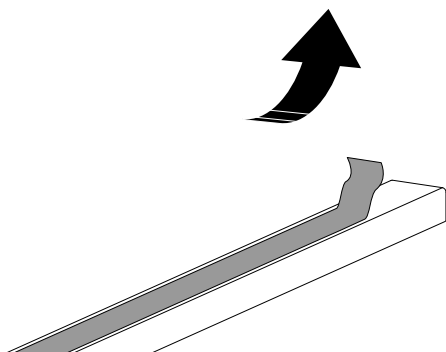
Enclosed in the kit:



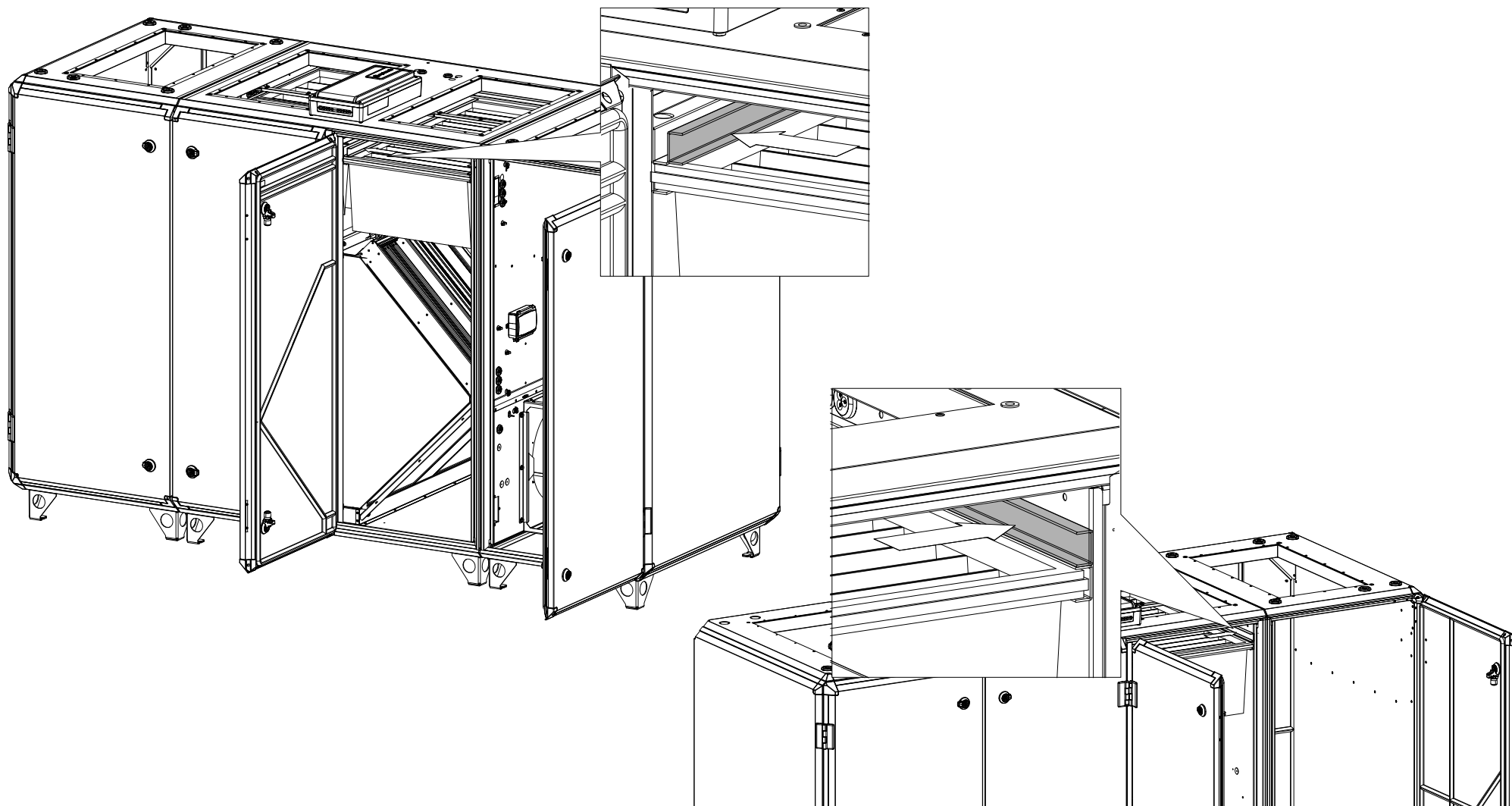
Mounting rail, Topvex size 20-35 2 pcs, size 60-100 4 pcs



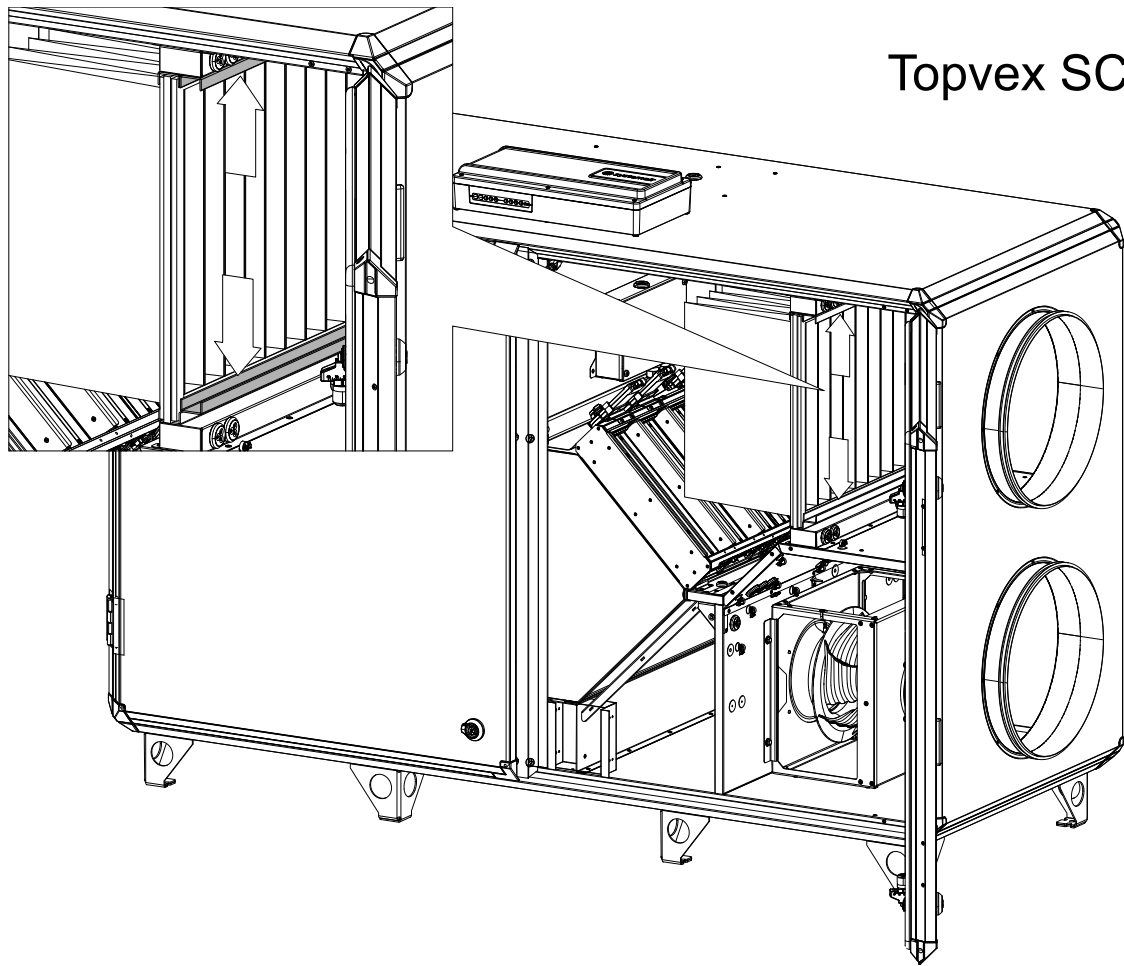
Panel filter, Topvex size 20-35 1 pcs, size 60-100 2 pcs



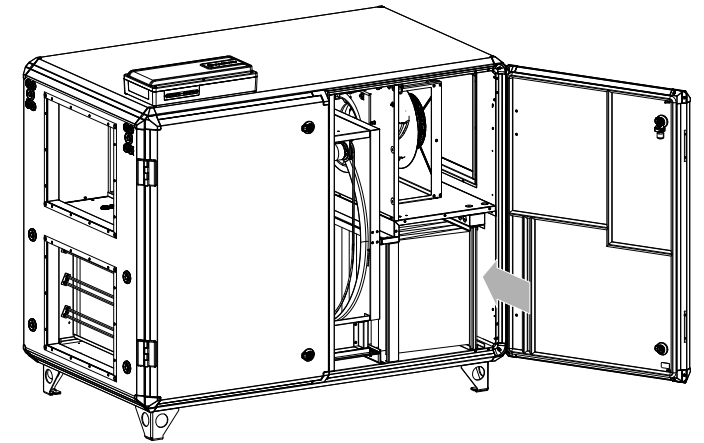
The mounting rails has double sided adhesive tape attached.  
Remove the protective liner from the adhesive tape. Attach the rails according to Fig. 1, Fig. 2.  
The location differ between air handling units.



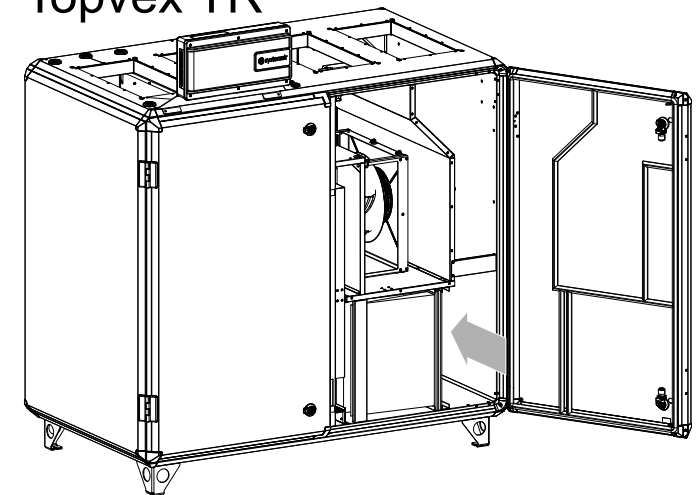
**Fig. 1 Topvex TC, fasten the mounting rails above the supply filter**



Topvex SR



Topvex TR



**Fig. 2 Fasten the mounting rails beside the supply filter**