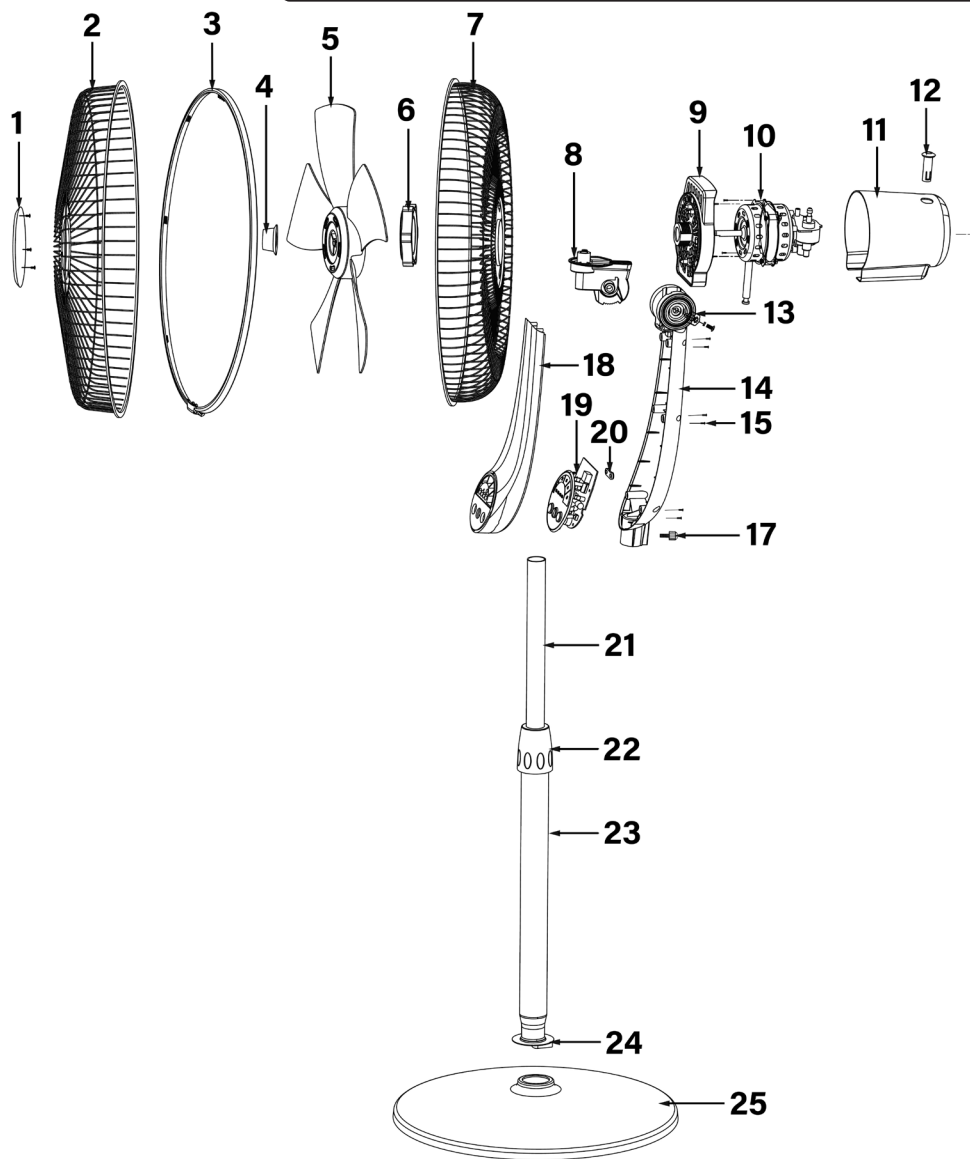


Parts Information:
**16" Quiet High Performance Oscillating
 Pedestal Fan**
Model No: SFF16Q



Item	Part No.	Description
1	SFF16Q-01	Front Cover
2	SFF16Q-02	Front Grille
3	SFF16Q-03	Grille Ring
4	SFF16Q-04	Fan Blade Ring
5	SFF16Q-05	Fan Blade 16"
6	SFF16Q-06	Plastic Nut for Rear Grille
7	SFF16Q-07	Rear Grille
8	SFF16Q-08	Neck Support
9	SFF16Q-09	Front Cover for Motor
10	SFF16Q-10	Motor
11	SFF16Q-11	Rear Cover for Motor
12	SFF16Q-12	Adjustment Pin

Item	Part No.	Description
13	SFF16Q-13	Nut
14	SFF16Q-14	Rear Cover for Switch Box
15	SFF16Q-15	Screw
17	SFF16Q-17	Adjustment Knob
18	SFF16Q-18	Front Cover for Switch Box
19	SFF16Q-19	PCB
20	SFF16Q-20	Cable Grip
21	SFF16Q-21	Upright Support (Upper)
22	SFF16Q-22	Upright Support Cover
23	SFF16Q-23	Upright Support (Lower)
24	SFF16Q-24	Base/Upright Support
25	SFF16Q-25	Stand Base

NOTE: It is our policy to continually improve products and as such we reserve the right to alter data, specifications and component parts without prior notice. There may be alternative versions of this product, please contact us should you require this information.

IMPORTANT: No liability is accepted for incorrect use of product. Spare parts must be fitted by a competent person

WARRANTY: Guarantee is 12 months from purchase date, proof of which will be required for any claim.

Sealey Group, Kempson Way, Suffolk Business Park, Bury St Edmunds, Suffolk. IP32 7AR



01284 757500



01284 703534



sales@sealey.co.uk



www.sealey.co.uk

Get In Touch



Call: 0845 6880112



Email: info@adremit.co.uk

Our Address

Puravent, Adremit Limited, Unit 5a, Commercial Yard,
 Settle, North Yorkshire, BD24 9RH