



## ZAC 560-43 CASED AXIAL FAN

Item no. 8283

Document type: **Product card**  
 Document date: **2019-05-07**  
 Generated by: **Systemair Online Catalogue**

### Description

The ZAC range of short-cased axial fans is based around the Ziehl-Abegg external rotor motor and an aerodynamically designed impeller to provide a very compact, efficient unit. Key features are:-

- Diecast aluminium blades with high efficiency aerofoil blade design
- Maintenance free, sealed-for-life bearings
- Insulation class 'F' and IP54 protection
- Operating range of -40°C to 60°C or 70°C
- TK thermal protection
- 100% speed controllable motor
- Galvanised steel casing incorporating a flange at either end
- Corrosion resistant paint in pebble grey RAL7032
- IP54 terminal box located on outside of fan casing

Guards are available as an accessory.



### Technical parameters

Voltage	400	V
Frequency	50	Hz
Phase	3	~
Input power (P1)	1000	W
Current	1,8	A
Max. airflow	3,43	m³/s
R.p.m.	1220	r.p.m.
Max. temperature of transported air	60	°C
Max. temperature of transported air when speed-controlled	60	°C
Sound pressure level at 3 m	62	dB(A)
Weight	23	kg
Insulation class	F	
Enclosure class, motor	IP54	

### Accessories

#### Electric accessories

[RTRD 2 Speed Cont. Systemair \(5941\)](#)

#### Accessories

[FSAF560FC Fix con ea 90°C \(8636\)](#)

[FSAFAV MP0 33 Green each \(8940\)](#)

[FSAF560MFX Flange ea dual \(58207\)](#)

[FSAF560FTX Mtg ft ea dual \(53092\)](#)

[FSAF560C2DB Silencer 605/16 \(58324\)](#)

[FSAF560B1DB Silencer 605/16 \(58285\)](#)

[APK 560X Ancil Pack Dual Drill \(8756\)](#)

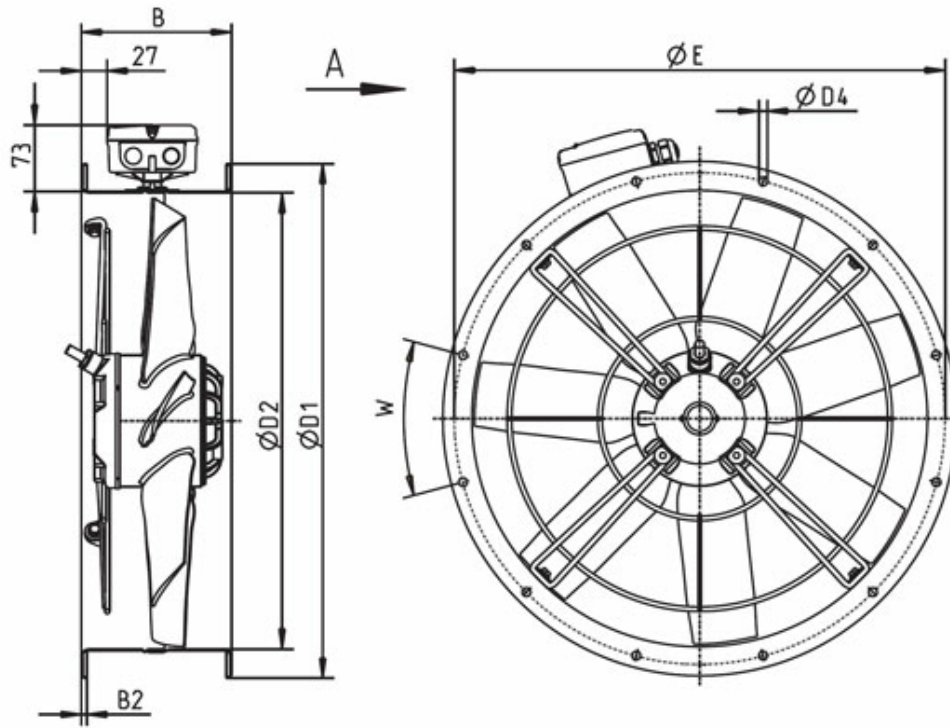
#### Get In Touch

Call: [0845 6880112](tel:08456880112)  
 Email: [info@adremit.co.uk](mailto:info@adremit.co.uk)

#### Our Address

Puravent, Adremit Limited, Unit 5a, Commercial Yard,  
 Settle, North Yorkshire, BD24 9RH

## Dimensions



ZAC 560-43	B	B2	D1	D2	D4	E	W
	210	7	635	559	11.5	605	16 X 22.5°

Name: **ZAC 560-43 CASED AXIAL FAN** | Item no.: **8283**

2 / 4

Document type: **Product card** | Document date: **2019-05-07** | Generated by: **Online catalogue**

### Get In Touch



Call: [0845 6880112](tel:08456880112)



Email: [info@adremit.co.uk](mailto:info@adremit.co.uk)

### Our Address

Puravent, Adremit Limited, Unit 5a, Commercial Yard,  
Settle, North Yorkshire, BD24 9RH

## Wiring

<b>106XA</b> Luftförderrichtung: V Direction of airflow: V Drehrichtung: Rechtslauf Direction of rotation: clockwise	<b>106XB</b> Luftförderrichtung: A Direction of airflow: A Drehrichtung: Linkslauf Direction of rotation: counter clockwise																																																																						
3~ Motor mit einer Drehzahl und Thermostatschalter (falls eingebaut). 3~ motor with one speed and thermostatic switch (if built in). Moteur triphasé à une vitesse avec interrupteur thermostatique (si incorporé).	3~ Motor mit einer Drehzahl und Thermostatschalter (falls eingebaut). 3~ motor with one speed and thermostatic switch (if built in). Moteur triphasé à une vitesse avec interrupteur thermostatique (si incorporé).																																																																						
<table style="width: 100%; border: none;"> <tr> <td style="width: 10%;">U1</td><td style="width: 10%;">braun</td><td style="width: 10%;">brown</td><td style="width: 10%;">brun</td><td style="width: 10%;"></td></tr> <tr> <td>V1</td><td>blau</td><td>blue</td><td>bleu</td><td></td></tr> <tr> <td>W1</td><td>schwarz</td><td>black</td><td>noir</td><td></td></tr> <tr> <td>U2</td><td>rot</td><td>red</td><td>rouge</td><td></td></tr> <tr> <td>V2</td><td>grau</td><td>grey</td><td>gris</td><td></td></tr> <tr> <td>W2</td><td>orange</td><td>orange</td><td>orangé</td><td></td></tr> <tr> <td>TB</td><td>weiß</td><td>white</td><td>blanc</td><td></td></tr> </table>	U1	braun	brown	brun		V1	blau	blue	bleu		W1	schwarz	black	noir		U2	rot	red	rouge		V2	grau	grey	gris		W2	orange	orange	orangé		TB	weiß	white	blanc		<table style="width: 100%; border: none;"> <tr> <td style="width: 10%;">U1</td><td style="width: 10%;">braun</td><td style="width: 10%;">brown</td><td style="width: 10%;">brun</td><td style="width: 10%;"></td></tr> <tr> <td>V1</td><td>blau</td><td>blue</td><td>bleu</td><td></td></tr> <tr> <td>W1</td><td>schwarz</td><td>black</td><td>noir</td><td></td></tr> <tr> <td>U2</td><td>rot</td><td>red</td><td>rouge</td><td></td></tr> <tr> <td>V2</td><td>grau</td><td>grey</td><td>gris</td><td></td></tr> <tr> <td>W2</td><td>orange</td><td>orange</td><td>orangé</td><td></td></tr> <tr> <td>TB</td><td>weiß</td><td>white</td><td>blanc</td><td></td></tr> </table>	U1	braun	brown	brun		V1	blau	blue	bleu		W1	schwarz	black	noir		U2	rot	red	rouge		V2	grau	grey	gris		W2	orange	orange	orangé		TB	weiß	white	blanc	
U1	braun	brown	brun																																																																				
V1	blau	blue	bleu																																																																				
W1	schwarz	black	noir																																																																				
U2	rot	red	rouge																																																																				
V2	grau	grey	gris																																																																				
W2	orange	orange	orangé																																																																				
TB	weiß	white	blanc																																																																				
U1	braun	brown	brun																																																																				
V1	blau	blue	bleu																																																																				
W1	schwarz	black	noir																																																																				
U2	rot	red	rouge																																																																				
V2	grau	grey	gris																																																																				
W2	orange	orange	orangé																																																																				
TB	weiß	white	blanc																																																																				
<b>106XA-02</b>	<b>106XB-02</b>																																																																						
<div style="display: flex; justify-content: space-around;"> <div style="text-align: center;"> <p>Δ-Schaltung Δ-connection Montage Δ</p> </div> <div style="text-align: center;"> <p>Y-Schaltung Y-connection Montage Y</p> </div> </div>	<div style="display: flex; justify-content: space-around;"> <div style="text-align: center;"> <p>Δ-Schaltung Δ-connection Montage Δ</p> </div> <div style="text-align: center;"> <p>Y-Schaltung Y-connection Montage Y</p> </div> </div>																																																																						
Anschluss Schaltbild im Anschlusskasten aufbewahren. Keep wiring diagram in terminal box. Conserver le schéma de raccordement dans la boîte à bornes.	Anschluss Schaltbild im Anschlusskasten aufbewahren. Keep wiring diagram in terminal box. Conserver le schéma de raccordement dans la boîte à bornes.																																																																						

## Documentation

[Operating Instruction axial fans L-BAL-001-GB\[1\].pdf \(117,64kB\)](#)

## Acoustics

Frequency (Hz)	63	125	250	500	1000	2000	4000	8000	16000	dBW Total	dBA Total	dBA @ 3m
Sound Power (dBW)	85	79	77	76	76	75	72	66	63	88	81	61

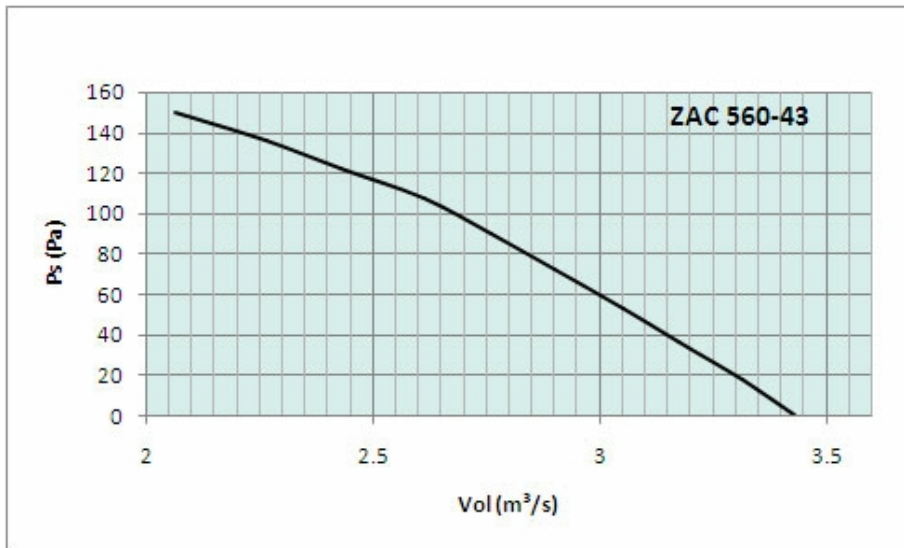
### Get In Touch

**Call:** [0845 6880112](tel:08456880112)  
**Email:** [info@adremit.co.uk](mailto:info@adremit.co.uk)

### Our Address

Puravent, Adremit Limited, Unit 5a, Commercial Yard,  
 Settle, North Yorkshire, BD24 9RH

## Diagram



## Specification text

Name: **ZAC 560-43 CASED AXIAL FAN** | Item no.: **8283**

Document type: **Product card** | Document date: **2019-05-07** | Generated by: **Online catalogue**

4 / 4

### Get In Touch



Call: [0845 6880112](tel:08456880112)



Email: [info@adremit.co.uk](mailto:info@adremit.co.uk)

### Our Address

Puravent, Adremit Limited, Unit 5a, Commercial Yard,  
Settle, North Yorkshire, BD24 9RH