



ZAC 500-43 CASED AXIAL FAN

Item no. 8281

Document type: **Product card**
 Document date: **2019-05-07**
 Generated by: **Systemair Online Catalogue**

Description

The ZAC range of short-cased axial fans is based around the Ziehl-Abegg external rotor motor and an aerodynamically designed impeller to provide a very compact, efficient unit. Key features are:-

- Diecast aluminium blades with high efficiency aerofoil blade design
- Maintenance free, sealed-for-life bearings
- Insulation class 'F' and IP54 protection
- Operating range of -40°C to 60°C or 70°C
- TK thermal protection
- 100% speed controllable motor
- Galvanised steel casing incorporating a flange at either end
- Corrosion resistant paint in pebble grey RAL7032
- IP54 terminal box located on outside of fan casing

Guards are available as an accessory.



Technical parameters

| | | |
|---|------|--------|
| Voltage | 400 | V |
| Frequency | 50 | Hz |
| Phase | 3 | ~ |
| Input power (P1) | 550 | W |
| Current | 1,05 | A |
| Max. airflow | 2,27 | m³/s |
| R.p.m. | 1380 | r.p.m. |
| Max. temperature of transported air | 70 | °C |
| Max. temperature of transported air when speed-controlled | 70 | °C |
| Sound pressure level at 3 m | 64 | dB(A) |
| Weight | 13,9 | kg |
| Insulation class | F | |
| Enclosure class, motor | IP54 | |

Accessories

Electric accessories

[RTRD 2 Speed Cont. Systemair \(5941\)](#)

Accessories

- [FSAF500FC Fix con ea 90°C \(8635\)](#)
- [FSAFAV MP0 33 Green each \(8940\)](#)
- [APK 500X Ancil Pack Dual Drill \(8752\)](#)
- [FSAF500B1DB Silencer 541/12 \(53975\)](#)
- [FSAF500MFX Flange ea dual \(58206\)](#)
- [FSAF500FTX Mtg ft ea dual \(53090\)](#)
- [FSAF500B2DB Silencer 541/12 \(58296\)](#)
- [FSAF500C2DB Silencer 541/12 \(58323\)](#)

Get In Touch

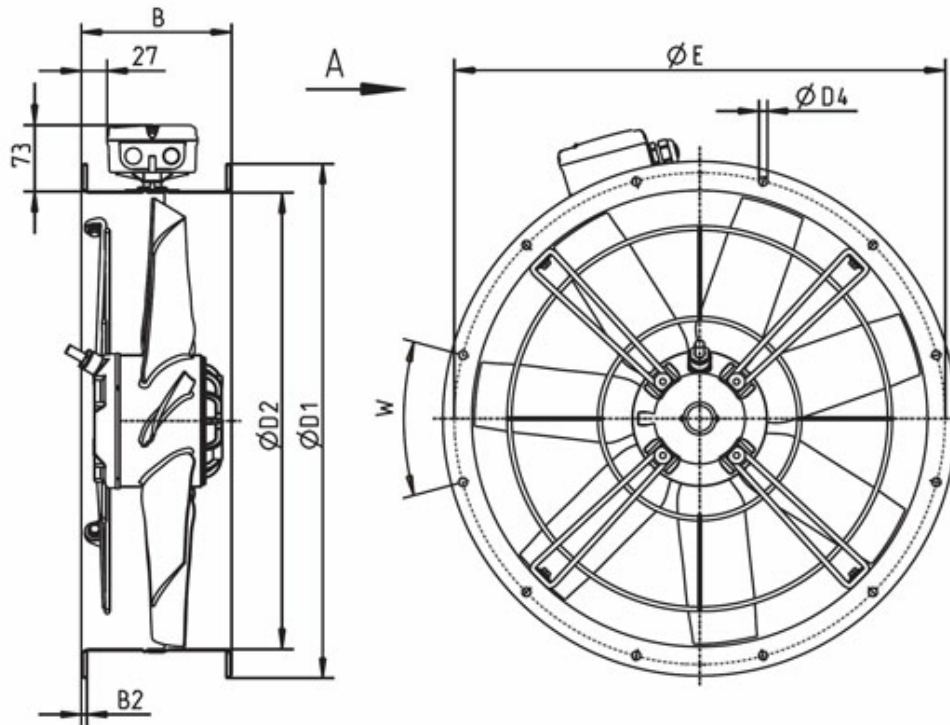
Call: [0845 6880112](tel:08456880112)
 Email: info@adremit.co.uk

Our Address

Puravent, Adremit Limited, Unit 5a, Commercial Yard,
 Settle, North Yorkshire, BD24 9RH



Dimensions



| ZAC 500-43 | B | B2 | D1 | D2 | D4 | E | W |
|------------|-----|----|-----|-----|-----|-----|----------|
| | 166 | 6 | 567 | 503 | 9.5 | 541 | 12 X 30° |

Name: **ZAC 500-43 CASED AXIAL FAN** | Item no.: **8281**

2 / 4

Document type: **Product card** | Document date: **2019-05-07** | Generated by: **Online catalogue**

Get In Touch



Call: [0845 6880112](tel:08456880112)



Email: info@adremit.co.uk

Our Address

Puravent, Adremit Limited, Unit 5a, Commercial Yard,
Settle, North Yorkshire, BD24 9RH

Wiring

| 106XA | 106XB | | | | | | | | | | | | | | | | | | | | | | | | | | | | |
|--|--|--------|--------|------|----|------|------|------|----|---------|-------|------|----|-----|-----|-------|----|------|------|------|----|--------|--------|--------|----|------|-------|-------|-----------------|
| Luftförderrichtung: V | Luftförderrichtung: A | | | | | | | | | | | | | | | | | | | | | | | | | | | | |
| Direction of airflow: V | Direction of airflow: A | | | | | | | | | | | | | | | | | | | | | | | | | | | | |
| Drehrichtung: Rechtslauf | Drehrichtung: Linkslauf | | | | | | | | | | | | | | | | | | | | | | | | | | | | |
| Direction of rotation: clockwise | Direction of rotation: counter clockwise | | | | | | | | | | | | | | | | | | | | | | | | | | | | |
| 3~ Motor mit einer Drehzahl und Thermostatschalter (falls eingebaut). | 3~ Motor mit einer Drehzahl und Thermostatschalter (falls eingebaut). | | | | | | | | | | | | | | | | | | | | | | | | | | | | |
| 3~ motor with one speed and thermostatic switch (if built in). | 3~ motor with one speed and thermostatic switch (if built in). | | | | | | | | | | | | | | | | | | | | | | | | | | | | |
| Moteur triphasé à une vitesse avec interrupteur thermostatique (si incorporé). | Moteur triphasé à une vitesse avec interrupteur thermostatique (si incorporé). | | | | | | | | | | | | | | | | | | | | | | | | | | | | |
| <table style="width: 100%; border: none;"> <tr><td>U1</td><td>braun</td><td>brown</td><td>brun</td></tr> <tr><td>V1</td><td>blau</td><td>blue</td><td>bleu</td></tr> <tr><td>W1</td><td>schwarz</td><td>black</td><td>noir</td></tr> <tr><td>U2</td><td>rot</td><td>red</td><td>rouge</td></tr> <tr><td>V2</td><td>grau</td><td>grey</td><td>gris</td></tr> <tr><td>W2</td><td>orange</td><td>orange</td><td>orangé</td></tr> <tr><td>TB</td><td>weiß</td><td>white</td><td>blanc</td></tr> </table> | U1 | braun | brown | brun | V1 | blau | blue | bleu | W1 | schwarz | black | noir | U2 | rot | red | rouge | V2 | grau | grey | gris | W2 | orange | orange | orangé | TB | weiß | white | blanc | 106XA-02 |
| U1 | braun | brown | brun | | | | | | | | | | | | | | | | | | | | | | | | | | |
| V1 | blau | blue | bleu | | | | | | | | | | | | | | | | | | | | | | | | | | |
| W1 | schwarz | black | noir | | | | | | | | | | | | | | | | | | | | | | | | | | |
| U2 | rot | red | rouge | | | | | | | | | | | | | | | | | | | | | | | | | | |
| V2 | grau | grey | gris | | | | | | | | | | | | | | | | | | | | | | | | | | |
| W2 | orange | orange | orangé | | | | | | | | | | | | | | | | | | | | | | | | | | |
| TB | weiß | white | blanc | | | | | | | | | | | | | | | | | | | | | | | | | | |
| <table style="width: 100%; border: none;"> <tr><td>U1</td><td>braun</td><td>brown</td><td>brun</td></tr> <tr><td>V1</td><td>blau</td><td>blue</td><td>bleu</td></tr> <tr><td>W1</td><td>schwarz</td><td>black</td><td>noir</td></tr> <tr><td>U2</td><td>rot</td><td>red</td><td>rouge</td></tr> <tr><td>V2</td><td>grau</td><td>grey</td><td>gris</td></tr> <tr><td>W2</td><td>orange</td><td>orange</td><td>orangé</td></tr> <tr><td>TB</td><td>weiß</td><td>white</td><td>blanc</td></tr> </table> | U1 | braun | brown | brun | V1 | blau | blue | bleu | W1 | schwarz | black | noir | U2 | rot | red | rouge | V2 | grau | grey | gris | W2 | orange | orange | orangé | TB | weiß | white | blanc | 106XB-02 |
| U1 | braun | brown | brun | | | | | | | | | | | | | | | | | | | | | | | | | | |
| V1 | blau | blue | bleu | | | | | | | | | | | | | | | | | | | | | | | | | | |
| W1 | schwarz | black | noir | | | | | | | | | | | | | | | | | | | | | | | | | | |
| U2 | rot | red | rouge | | | | | | | | | | | | | | | | | | | | | | | | | | |
| V2 | grau | grey | gris | | | | | | | | | | | | | | | | | | | | | | | | | | |
| W2 | orange | orange | orangé | | | | | | | | | | | | | | | | | | | | | | | | | | |
| TB | weiß | white | blanc | | | | | | | | | | | | | | | | | | | | | | | | | | |
| <div style="display: flex; justify-content: space-around;"> <div style="text-align: center;"> <p>Δ-Schaltung Δ-connection Montage Δ</p> </div> <div style="text-align: center;"> <p>Y-Schaltung Y-connection Montage Y</p> </div> </div> | <div style="display: flex; justify-content: space-around;"> <div style="text-align: center;"> <p>Δ-Schaltung Δ-connection Montage Δ</p> </div> <div style="text-align: center;"> <p>Y-Schaltung Y-connection Montage Y</p> </div> </div> | | | | | | | | | | | | | | | | | | | | | | | | | | | | |
| Anschlusschaltbild im Anschlusskasten aufbewahren. Keep wiring diagram in terminal box. Conserver le schéma de raccordement dans la boîte à bornes. | Anschlusschaltbild im Anschlusskasten aufbewahren. Keep wiring diagram in terminal box. Conserver le schéma de raccordement dans la boîte à bornes. | | | | | | | | | | | | | | | | | | | | | | | | | | | | |

Documentation

[Operating Instruction axial fans L-BAL-001-GB\[1\].pdf \(117,64kB\)](#)

Acoustics

| Frequency (Hz) | 63 | 125 | 250 | 500 | 1000 | 2000 | 4000 | 8000 | 16000 | dBW Total | dBA Total | dBA @ 3m |
|-------------------|----|-----|-----|-----|------|------|------|------|-------|-----------|-----------|----------|
| Sound Power (dBW) | 68 | 77 | 71 | 70 | 70 | 71 | 67 | 61 | 58 | 80 | 76 | 56 |

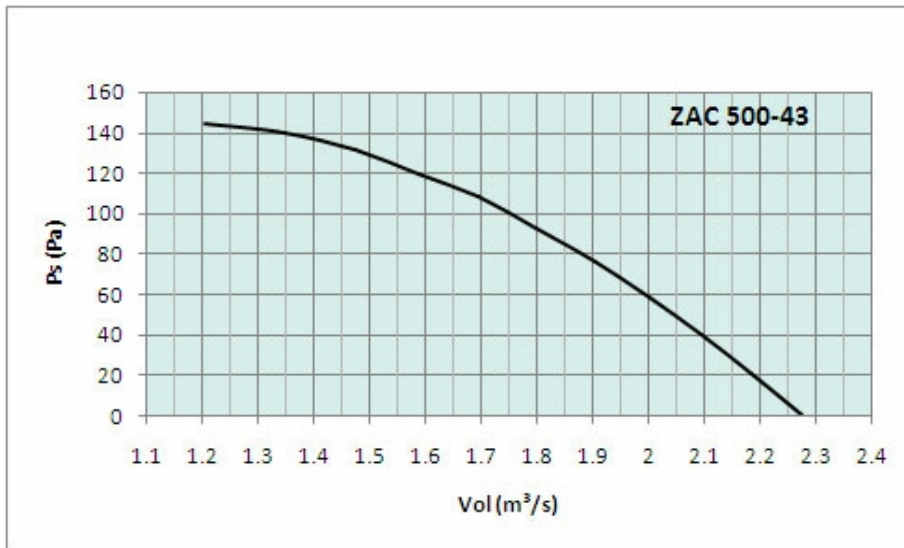
Get In Touch

Call: [0845 6880112](tel:08456880112)
Email: info@adremit.co.uk

Our Address

Puravent, Adremit Limited, Unit 5a, Commercial Yard,
Settle, North Yorkshire, BD24 9RH

Diagram



Specification text

Name: **ZAC 500-43 CASED AXIAL FAN** | Item no.: **8281**

Document type: **Product card** | Document date: **2019-05-07** | Generated by: **Online catalogue**

4 / 4

Get In Touch



Call: [0845 6880112](tel:08456880112)



Email: info@adremit.co.uk

Our Address

Puravent, Adremit Limited, Unit 5a, Commercial Yard,
Settle, North Yorkshire, BD24 9RH