



## ZAC 400-41 CASED AXIAL FAN

Item no. 8542

Document type: **Product card**  
 Document date: **2019-05-07**  
 Generated by: **Systemair Online Catalogue**

### Description

The ZAC range of short-cased axial fans is based around the Ziehl-Abegg external rotor motor and an aerodynamically designed impeller to provide a very compact, efficient unit. Key features are:-

- Diecast aluminium blades with high efficiency aerofoil blade design
- Maintenance free, sealed-for-life bearings
- Insulation class 'F' and IP54 protection
- Operating range of -40°C to 60°C or 70°C
- TK thermal protection
- 100% speed controllable motor
- Galvanised steel casing incorporating a flange at either end
- Corrosion resistant paint in pebble grey RAL7032
- IP54 terminal box located on outside of fan casing

Guards are available as an accessory.



### Technical parameters

Voltage	230	V
Frequency	50	Hz
Phase	1	~
Input power (P1)	290	W
Current	1,45	A
Max. airflow	1,4	m³/s
R.p.m.	1350	r.p.m.
Max. temperature of transported air	60	°C
Max. temperature of transported air when speed-controlled	60	°C
Sound pressure level at 3 m	60	dB(A)
Weight	9,2	kg
Insulation class	F	
Enclosure class, motor	IP54	
Capacitor	5	µF

### Accessories

#### Electric accessories

- [RTRE 1,5 Speed control \(5008\)](#)
- [REE 2 Speed control \(5316\)](#)
- [STL 3 Speed controller \(84261\)](#)

#### Accessories

- [FSAF400FC Flx con ea 90°C \(8633\)](#)
- [FSAFAV MP0 33 Green each \(8940\)](#)
- [APK 400X Ancil Pack Dual Drill \(8038\)](#)
- [FSAF400MFX Flange ea dual \(58204\)](#)
- [FSAF400FTX Mtg ft ea dual \(53085\)](#)
- [FSAF400B2DB Silencer 438/12 \(58294\)](#)
- [FSAF400B1DB Silencer 438/12 \(58283\)](#)

#### Get In Touch

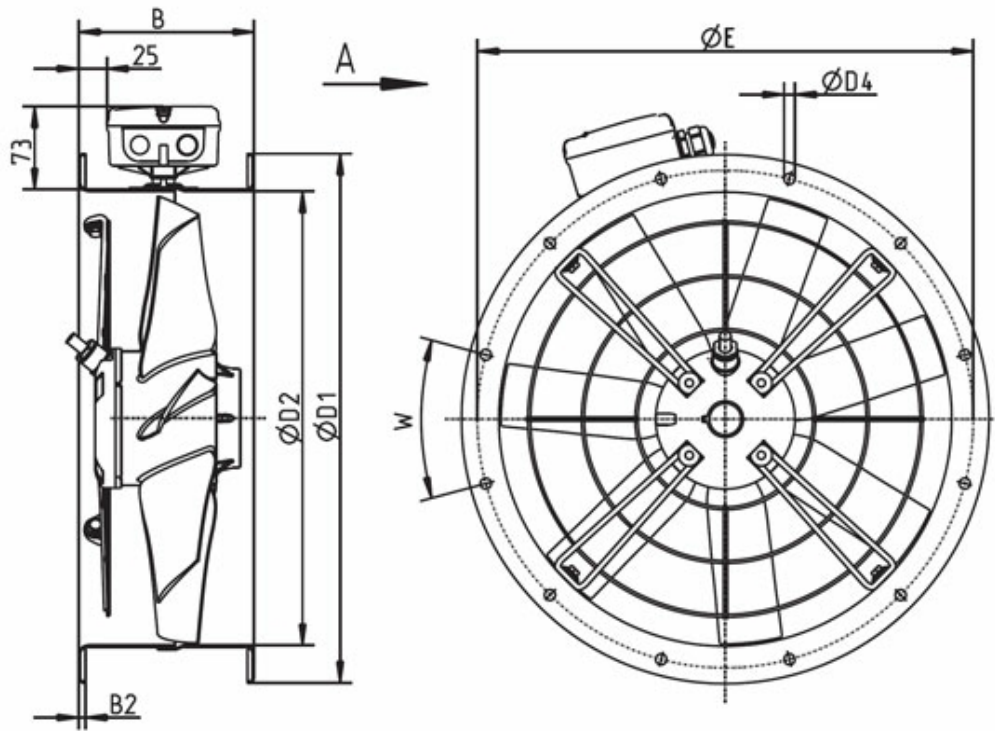
Call: [0845 6880112](tel:08456880112)  
 Email: [info@adremit.co.uk](mailto:info@adremit.co.uk)

#### Our Address

Puravent, Adremit Limited, Unit 5a, Commercial Yard,  
 Settle, North Yorkshire, BD24 9RH





## Dimensions



ZAC 400-41	B	B2	D1	D2	D4	E	W
	155	6	466	400	9.5	438	12 X 30°

### Get In Touch

 Call: [0845 6880112](tel:08456880112)  
 Email: [info@adremit.co.uk](mailto:info@adremit.co.uk)

### Our Address

Puravent, Adremit Limited, Unit 5a, Commercial Yard,  
Settle, North Yorkshire, BD24 9RH

## Wiring

### 104XA

Luftförderrichtung: V  
 Direction of airflow: V  
 Drehrichtung: Rechtslauf  
 Direction of rotation: clockwise

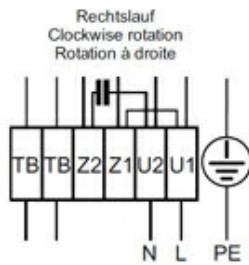
1~Motor mit Kondensator und Thermostatschalter (falls eingebaut).

1~Motor with capacitor and thermostatic switch (if built in).

Moteur monophasé avec condensateur et interrupteur thermostatique (si incorporé).

U1	braun	brown	brun
U2	blau	blue	bleu
Z1	schwarz	black	noir
Z2	orange	orange	orangé
TB	weiß	white	blanc

104XA-02



Anschlussschaltbild im Anschlusskasten aufbewahren.  
 Keep wiring diagram in terminal box.  
 Conserver le schéma de raccordement dans la boîte à bornes.

### 104XB

Luftförderrichtung: A  
 Direction of airflow: A  
 Drehrichtung: Linkslauf  
 Direction of rotation: counter clockwise

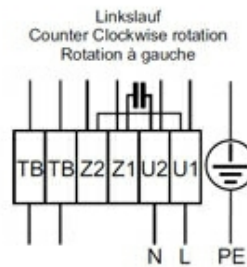
1~Motor mit Kondensator und Thermostatschalter (falls eingebaut).

1~Motor with capacitor and thermostatic switch (if built in).

Moteur monophasé avec condensateur et interrupteur thermostatique (si incorporé).

U1	braun	brown	brun
U2	blau	blue	bleu
Z1	schwarz	black	noir
Z2	orange	orange	orangé
TB	weiß	white	blanc

104XB-02



Anschlussschaltbild im Anschlusskasten aufbewahren.  
 Keep wiring diagram in terminal box.  
 Conserver le schéma de raccordement dans la boîte à bornes.

## Documentation

Operating Instruction axial fans L-BAL-001-GB[1].pdf (117,64kB)

## Acoustics

Frequency (Hz)	63	125	250	500	1000	2000	4000	8000	16000	dBW Total	dBA Total	dBA @ 3m
Sound Power (dBW)	71	72	67	67	65	65	64	56	49	77	72	52

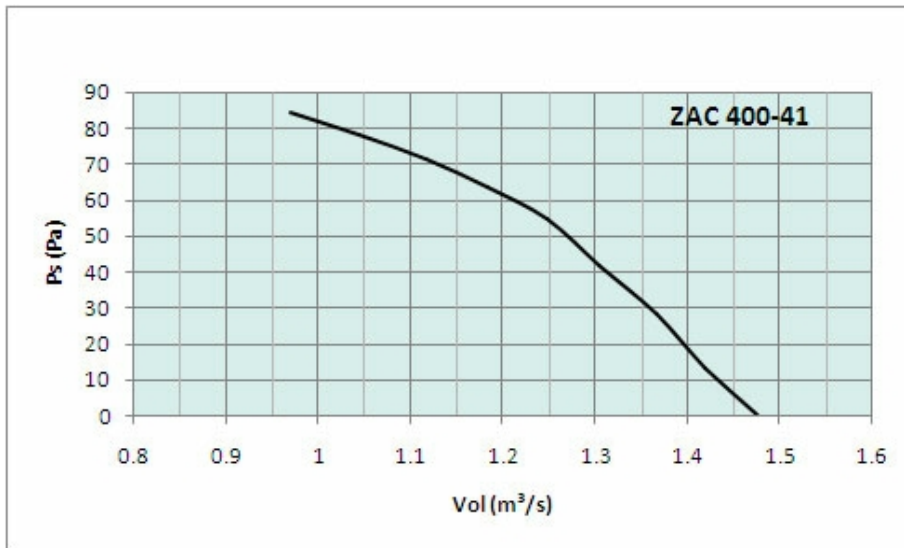
### Get In Touch

Call: [0845 6880112](tel:08456880112)  
 Email: [info@adremit.co.uk](mailto:info@adremit.co.uk)

### Our Address

Puravent, Adremit Limited, Unit 5a, Commercial Yard,  
 Settle, North Yorkshire, BD24 9RH

## Diagram



## Specification text

Name: **ZAC 400-41 CASED AXIAL FAN** | Item no.: **8542**

Document type: **Product card** | Document date: **2019-05-07** | Generated by: **Online catalogue**

4 / 4

### Get In Touch



Call: [0845 6880112](tel:08456880112)



Email: [info@adremit.co.uk](mailto:info@adremit.co.uk)

### Our Address

Puravent, Adremit Limited, Unit 5a, Commercial Yard,  
Settle, North Yorkshire, BD24 9RH