



## ZAC 350-43 CASED AXIAL FAN

Item no. 8275

Document type: **Product card**

Document date: **2019-05-08**

Generated by: **Systemair Online Catalogue**

### Description

The ZAC range of short-cased axial fans is based around the Ziehl-Abegg external rotor motor and an aerodynamically designed impeller to provide a very compact, efficient unit. Key features are:-

- Diecast aluminium blades with high efficiency aerofoil blade design
- Maintenance free, sealed-for-life bearings
- Insulation class 'F' and IP54 protection
- Operating range of -40°C to 60°C or 70°C
- TK thermal protection
- 100% speed controllable motor
- Galvanised steel casing incorporating a flange at either end
- Corrosion resistant paint in pebble grey RAL7032
- IP54 terminal box located on outside of fan casing

Guards are available as an accessory.



### Technical parameters

|   |      |        |
|---|------|--------|
| Voltage   | 400  | V      |
| Frequency   | 50   | Hz     |
| Phase   | 3    | ~      |
| Input power (P1)  | 180  | W      |
| Current   | 0,39 | A      |
| Max. airflow  | 1    | m³/s   |
| R.p.m.  | 1390 | r.p.m. |
| Max. temperature of transported air                       | 70   | °C     |
| Max. temperature of transported air when speed-controlled | 70   | °C     |
| Sound pressure level at 3 m                               | 56   | dB(A)  |
| Weight  | 7,1  | kg     |
| Insulation class  | F    |        |
| Enclosure class, motor                                    | IP54 |        |

### Accessories

#### Electric accessories

[RTRD 2 Speed Cont. Systemair \(5941\)](#)

#### Accessories

[FSAF355FC Fix con ea 90°C \(8632\)](#)

[FSAFAV MP0 33 Green each \(8940\)](#)

[APK 355X Ancil Pack Dual Drill \(8036\)](#)

[FSAF355B1DX Silencer 395/8 \(50105\)](#)

[FSAF355MFX Flange ea dual \(58203\)](#)

[FSAF355C2DX Silencer 395/8 \(50124\)](#)

[FSAF355FTX Mtg ft ea dual \(53083\)](#)

[FSAF355B2DX Silencer 395/8 \(50118\)](#)

[FSAF355C1DX Silencer 395/8 \(58307\)](#)

### Get In Touch



Call: [0845 6880112](tel:08456880112)

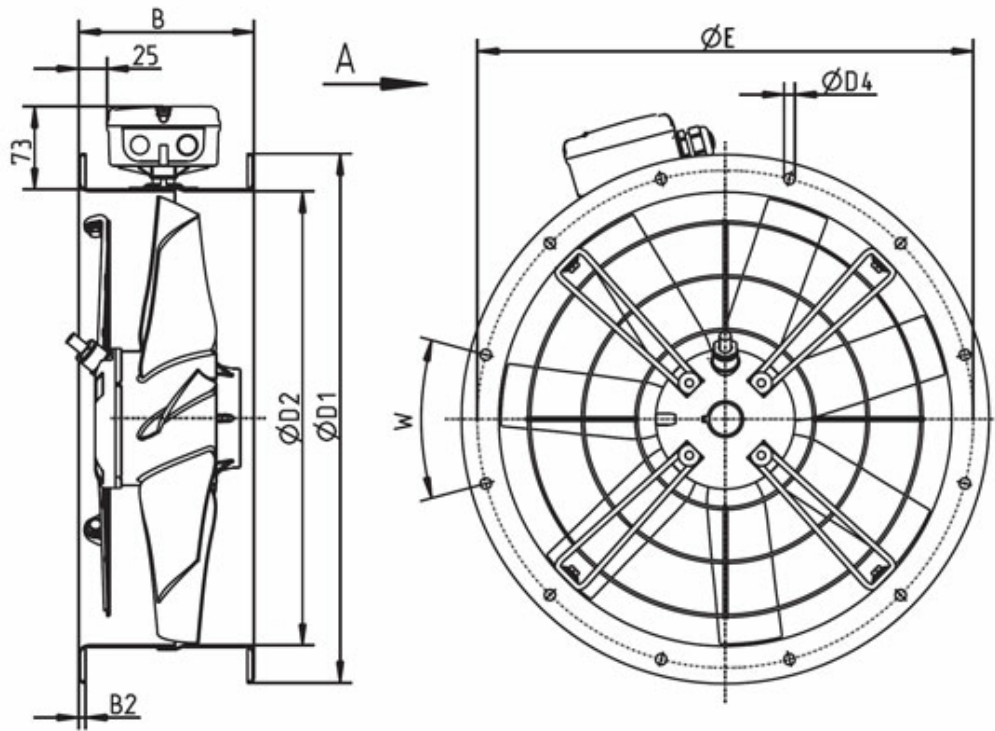


Email: [info@adremit.co.uk](mailto:info@adremit.co.uk)

### Our Address

Puravent, Adremit Limited, Unit 5a, Commercial Yard,  
Settle, North Yorkshire, BD24 9RH

## Dimensions





| ZAC 350-43 | B   | B2 | D1  | D2  | D4  | E   | W       |
|------------|-----|----|-----|-----|-----|-----|---------|
|            | 135 | 6  | 421 | 356 | 905 | 395 | 8 X 45° |

Name: **ZAC 350-43 CASED AXIAL FAN** | Item no.: **8275**

Document type: **Product card** | Document date: **2019-05-08** | Generated by: **Online catalogue**

2 / 3

### Get In Touch

 Call: [0845 6880112](tel:08456880112)  
 Email: [info@adremit.co.uk](mailto:info@adremit.co.uk)

### Our Address

Puravent, Adremit Limited, Unit 5a, Commercial Yard,  
Settle, North Yorkshire, BD24 9RH

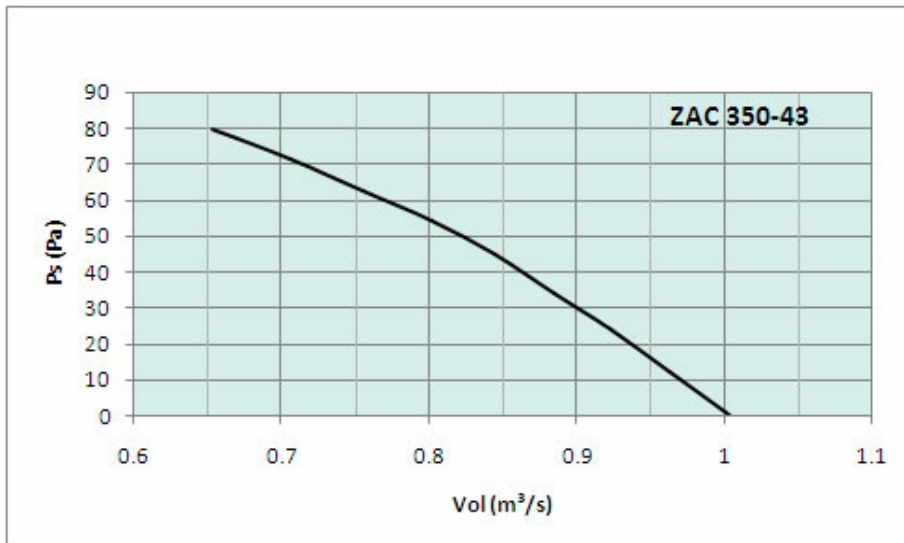
## Wiring

| <b>106XA</b>   | <b>106XB</b>   |        |        |      |    |      |      |      |    |         |       |      |    |     |     |       |    |      |      |      |    |        |        |        |    |      |       |       |                 |
|--|--|--------|--------|------|----|------|------|------|----|---------|-------|------|----|-----|-----|-------|----|------|------|------|----|--------|--------|--------|----|------|-------|-------|-----------------|
| Luftförderrichtung: V  | Luftförderrichtung: A  |        |        |      |    |      |      |      |    |         |       |      |    |     |     |       |    |      |      |      |    |        |        |        |    |      |       |       |                 |
| Direction of airflow: V  | Direction of airflow: A  |        |        |      |    |      |      |      |    |         |       |      |    |     |     |       |    |      |      |      |    |        |        |        |    |      |       |       |                 |
| Drehrichtung: Rechtslauf   | Drehrichtung: Linkslauf  |        |        |      |    |      |      |      |    |         |       |      |    |     |     |       |    |      |      |      |    |        |        |        |    |      |       |       |                 |
| Direction of rotation: clockwise   | Direction of rotation: counter clockwise   |        |        |      |    |      |      |      |    |         |       |      |    |     |     |       |    |      |      |      |    |        |        |        |    |      |       |       |                 |
| 3~ Motor mit einer Drehzahl und Thermostatschalter (falls eingebaut).  | 3~ Motor mit einer Drehzahl und Thermostatschalter (falls eingebaut).  |        |        |      |    |      |      |      |    |         |       |      |    |     |     |       |    |      |      |      |    |        |        |        |    |      |       |       |                 |
| 3~ motor with one speed and thermostatic switch (if built in).   | 3~ motor with one speed and thermostatic switch (if built in).   |        |        |      |    |      |      |      |    |         |       |      |    |     |     |       |    |      |      |      |    |        |        |        |    |      |       |       |                 |
| Moteur triphasé à une vitesse avec interrupteur thermostatique (si incorporé).   | Moteur triphasé à une vitesse avec interrupteur thermostatique (si incorporé).   |        |        |      |    |      |      |      |    |         |       |      |    |     |     |       |    |      |      |      |    |        |        |        |    |      |       |       |                 |
| <table style="width: 100%; border: none;"> <tr><td>U1</td><td>braun</td><td>brown</td><td>brun</td></tr> <tr><td>V1</td><td>blau</td><td>blue</td><td>bleu</td></tr> <tr><td>W1</td><td>schwarz</td><td>black</td><td>noir</td></tr> <tr><td>U2</td><td>rot</td><td>red</td><td>rouge</td></tr> <tr><td>V2</td><td>grau</td><td>grey</td><td>gris</td></tr> <tr><td>W2</td><td>orange</td><td>orange</td><td>orangé</td></tr> <tr><td>TB</td><td>weiß</td><td>white</td><td>blanc</td></tr> </table> | U1   | braun  | brown  | brun | V1 | blau | blue | bleu | W1 | schwarz | black | noir | U2 | rot | red | rouge | V2 | grau | grey | gris | W2 | orange | orange | orangé | TB | weiß | white | blanc | <b>106XA-02</b> |
| U1   | braun  | brown  | brun   |      |    |      |      |      |    |         |       |      |    |     |     |       |    |      |      |      |    |        |        |        |    |      |       |       |                 |
| V1   | blau   | blue   | bleu   |      |    |      |      |      |    |         |       |      |    |     |     |       |    |      |      |      |    |        |        |        |    |      |       |       |                 |
| W1   | schwarz  | black  | noir   |      |    |      |      |      |    |         |       |      |    |     |     |       |    |      |      |      |    |        |        |        |    |      |       |       |                 |
| U2   | rot  | red    | rouge  |      |    |      |      |      |    |         |       |      |    |     |     |       |    |      |      |      |    |        |        |        |    |      |       |       |                 |
| V2   | grau   | grey   | gris   |      |    |      |      |      |    |         |       |      |    |     |     |       |    |      |      |      |    |        |        |        |    |      |       |       |                 |
| W2   | orange   | orange | orangé |      |    |      |      |      |    |         |       |      |    |     |     |       |    |      |      |      |    |        |        |        |    |      |       |       |                 |
| TB   | weiß   | white  | blanc  |      |    |      |      |      |    |         |       |      |    |     |     |       |    |      |      |      |    |        |        |        |    |      |       |       |                 |
| <table style="width: 100%; border: none;"> <tr><td>U1</td><td>braun</td><td>brown</td><td>brun</td></tr> <tr><td>V1</td><td>blau</td><td>blue</td><td>bleu</td></tr> <tr><td>W1</td><td>schwarz</td><td>black</td><td>noir</td></tr> <tr><td>U2</td><td>rot</td><td>red</td><td>rouge</td></tr> <tr><td>V2</td><td>grau</td><td>grey</td><td>gris</td></tr> <tr><td>W2</td><td>orange</td><td>orange</td><td>orangé</td></tr> <tr><td>TB</td><td>weiß</td><td>white</td><td>blanc</td></tr> </table> | U1   | braun  | brown  | brun | V1 | blau | blue | bleu | W1 | schwarz | black | noir | U2 | rot | red | rouge | V2 | grau | grey | gris | W2 | orange | orange | orangé | TB | weiß | white | blanc | <b>106XB-02</b> |
| U1   | braun  | brown  | brun   |      |    |      |      |      |    |         |       |      |    |     |     |       |    |      |      |      |    |        |        |        |    |      |       |       |                 |
| V1   | blau   | blue   | bleu   |      |    |      |      |      |    |         |       |      |    |     |     |       |    |      |      |      |    |        |        |        |    |      |       |       |                 |
| W1   | schwarz  | black  | noir   |      |    |      |      |      |    |         |       |      |    |     |     |       |    |      |      |      |    |        |        |        |    |      |       |       |                 |
| U2   | rot  | red    | rouge  |      |    |      |      |      |    |         |       |      |    |     |     |       |    |      |      |      |    |        |        |        |    |      |       |       |                 |
| V2   | grau   | grey   | gris   |      |    |      |      |      |    |         |       |      |    |     |     |       |    |      |      |      |    |        |        |        |    |      |       |       |                 |
| W2   | orange   | orange | orangé |      |    |      |      |      |    |         |       |      |    |     |     |       |    |      |      |      |    |        |        |        |    |      |       |       |                 |
| TB   | weiß   | white  | blanc  |      |    |      |      |      |    |         |       |      |    |     |     |       |    |      |      |      |    |        |        |        |    |      |       |       |                 |
| <div style="display: flex; justify-content: space-around;"> <div style="text-align: center;"> <p>Δ-Schaltung<br/>Δ-connection<br/>Montage Δ</p> </div> <div style="text-align: center;"> <p>Y-Schaltung<br/>Y-connection<br/>Montage Y</p> </div> </div>   | <div style="display: flex; justify-content: space-around;"> <div style="text-align: center;"> <p>Δ-Schaltung<br/>Δ-connection<br/>Montage Δ</p> </div> <div style="text-align: center;"> <p>Y-Schaltung<br/>Y-connection<br/>Montage Y</p> </div> </div> |        |        |      |    |      |      |      |    |         |       |      |    |     |     |       |    |      |      |      |    |        |        |        |    |      |       |       |                 |
| Anschlusschaltbild im Anschlusskasten aufbewahren.<br>Keep wiring diagram in terminal box.<br>Conserver le schéma de raccordement dans la boîte à bornes.  | Anschlusschaltbild im Anschlusskasten aufbewahren.<br>Keep wiring diagram in terminal box.<br>Conserver le schéma de raccordement dans la boîte à bornes.  |        |        |      |    |      |      |      |    |         |       |      |    |     |     |       |    |      |      |      |    |        |        |        |    |      |       |       |                 |

## Documentation

[Operating Instruction axial fans L-BAL-001-GB\[1\].pdf \(117,64kB\)](#)

## Diagram



## Specification text

Name: **ZAC 350-43 CASED AXIAL FAN** | Item no.: **8275**

Document type: **Product card** | Document date: **2019-05-08** | Generated by: **Online catalogue**

3 / 3

### Get In Touch

Call: [0845 6880112](tel:08456880112)  
 Email: [info@adremit.co.uk](mailto:info@adremit.co.uk)

### Our Address

Puravent, Adremit Limited, Unit 5a, Commercial Yard,  
Settle, North Yorkshire, BD24 9RH