



ZAC 315-41 CASED AXIAL FAN

Item no. 8539

Document type: **Product card**

Document date: **2019-05-08**

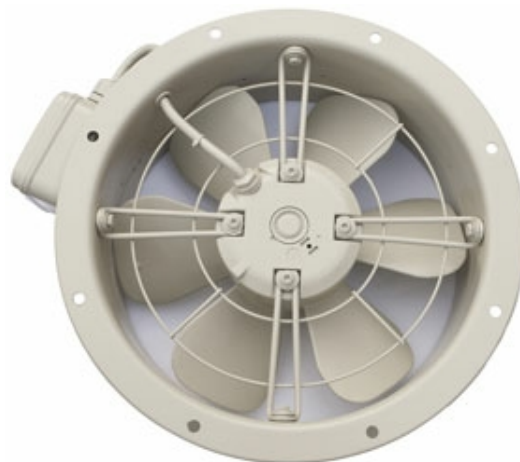
Generated by: **Systemair Online Catalogue**

Description

The ZAC range of short-cased axial fans is based around the Ziehl-Abegg external rotor motor and an aerodynamically designed impeller to provide a very compact, efficient unit. Key features are:-

- Diecast aluminium blades with high efficiency blade design
- Maintenance free, sealed-for-life bearings
- Insulation class 'F' and IP54 protection
- Operating range of -40°C to 60°C or 70°C
- TK thermal protection
- 100% speed controllable motor
- Galvanised steel casing incorporating a flange at either end
- Corrosion resistant paint in pebble grey RAL7032
- IP54 terminal box located on outside of fan casing

Guards are available as an accessory.



Technical parameters

Voltage	230	V
Frequency	50	Hz
Phase	1	~
Input power (P1)	150	W
Current	0,7	A
Max. airflow	0,56	m³/s
R.p.m.	1300	r.p.m.
Max. temperature of transported air	65	°C
Max. temperature of transported air when speed-controlled	65	°C
Weight	6,2	kg
Insulation class	F	
Enclosure class, motor	IP54	
Capacitor	3	µF

Accessories

Electric accessories

[RTRE 1,5 Speed control \(5008\)](#)

[REE 1 Speed control \(5314\)](#)

[STL 1.5 Speed controller \(84251\)](#)

Accessories

[FSAF315FC Flx con ea 90°C \(8631\)](#)

[FSAFAV MP0 33 Green each \(8940\)](#)

[APK 315X Ancil Pack Dual Drill \(8033\)](#)

[FSAF400MFA Flange ea 450/8 \(88951\)](#)

[FSAF315C1DX Silencer 355/8 \(50112\)](#)

[FSAF315B1DX Silencer 355/8 \(50104\)](#)

[FSAF315B2DX Silencer 355/8 \(50117\)](#)

[FSAF315C2DX Silencer 355/8 \(50123\)](#)

Get In Touch



Call: [0845 6880112](tel:08456880112)

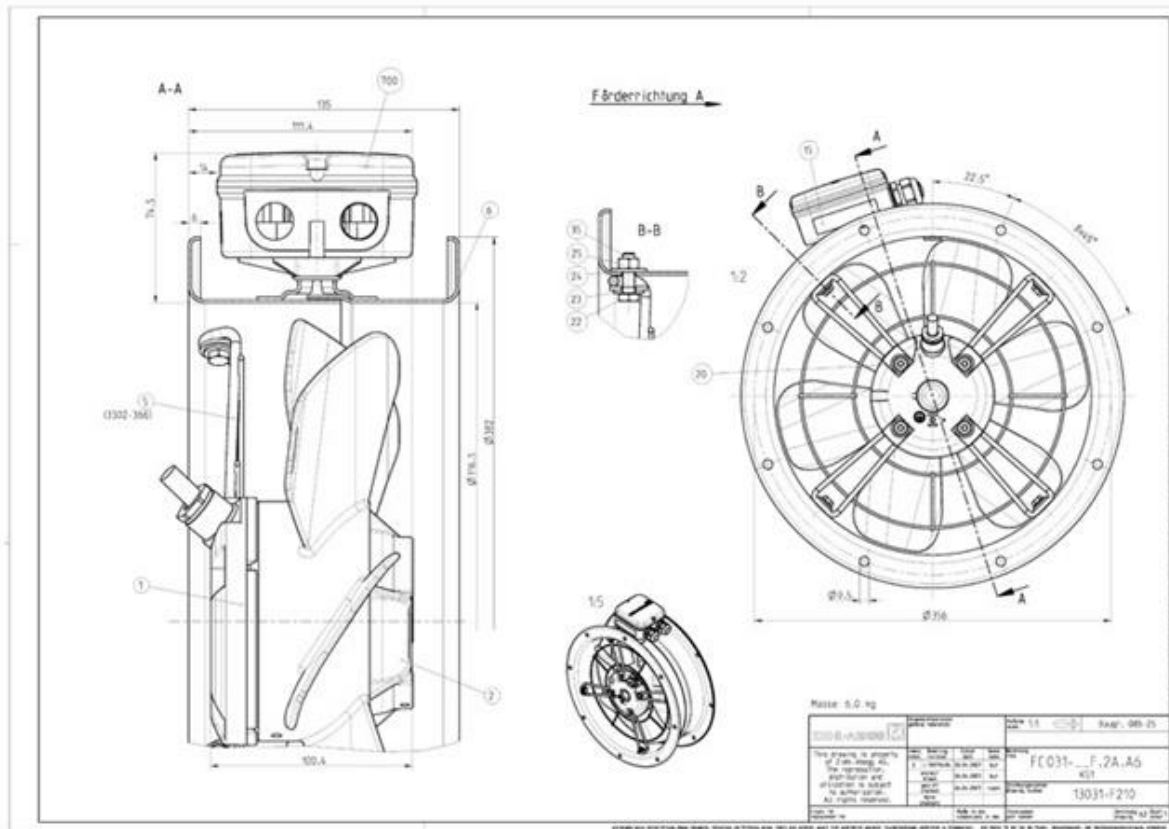


Email: info@adremit.co.uk


Our Address

Puravent, Adremit Limited, Unit 5a, Commercial Yard,
Settle, North Yorkshire, BD24 9RH

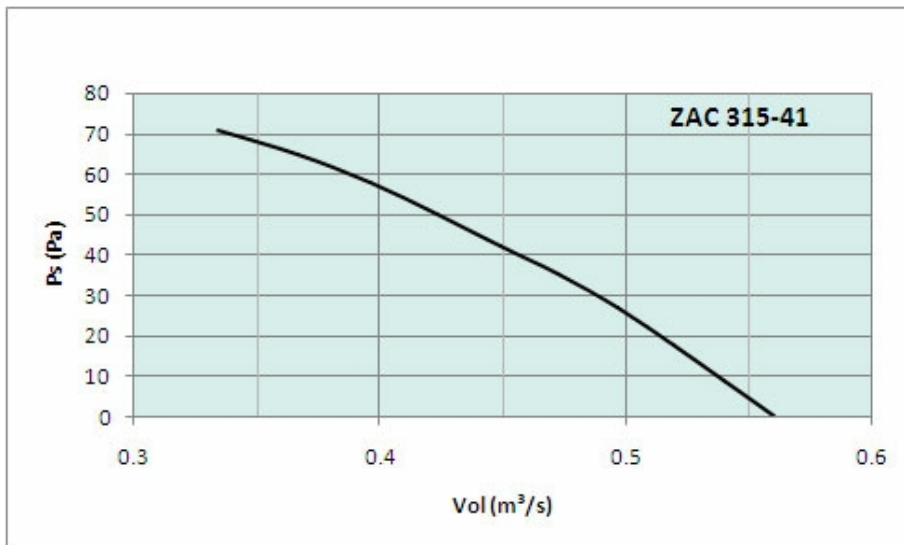
Dimensions



Documentation

 Operating Instruction axial fans L-BAL-001-GB[1].pdf (117,64kB)

Diagram



Specification text

Name: **ZAC 315-41 CASED AXIAL FAN** | Item no.: **8539**

Document type: **Product card** | Document date: **2019-05-08** | Generated by: **Online catalogue**

2 / 2

Get In Touch

 Call: [0845 6880112](tel:08456880112)
 Email: info@adremit.co.uk

Our Address

Puravent, Adremit Limited, Unit 5a, Commercial Yard,
 Settle, North Yorkshire, BD24 9RH