



ZAC 315-23 CASED AXIAL FAN

Item no. 8273

Document type: **Product card**

Document date: **2019-05-08**

Generated by: **Systemair Online Catalogue**

Description

The ZAC range of short-cased axial fans is based around the Ziehl-Abegg external rotor motor and an aerodynamically designed impeller to provide a very compact, efficient unit. Key features are:-

- Diecast aluminium blades with high efficiency aerofoil blade design
- Maintenance free, sealed-for-life bearings
- Insulation class 'F' and IP54 protection
- Operating range of -40°C to 60°C or 70°C
- TK thermal protection
- 100% speed controllable motor
- Galvanised steel casing incorporating a flange at either end
- Corrosion resistant paint in pebble grey RAL7032
- IP54 terminal box located on outside of fan casing

Guards are available as an accessory.



Technical parameters

Voltage	400	V
Frequency	50	Hz
Phase	3	~
Input power (P1)	480	W
Current	0,9	A
Max. airflow	1,06	m³/s
R.p.m.	2800	r.p.m.
Max. temperature of transported air	70	°C
Max. temperature of transported air when speed-controlled	70	°C
Sound pressure level at 3 m	64	dB(A)
Weight	8	kg
Insulation class	F	
Enclosure class, motor	IP54	

Accessories

Electric accessories

[RTRD 2 Speed Cont. Systemair \(5941\)](#)

Accessories

[FSAF315FC Fix con ea 90°C \(8631\)](#)

[FSAFAV MP0 33 Green each \(8940\)](#)

[APK 315X Ancil Pack Dual Drill \(8033\)](#)

[FSAF315C1DX Silencer 355/8 \(50112\)](#)

[FSAF315B1DX Silencer 355/8 \(50104\)](#)

[FSAF315MFX Flange ea dual \(58202\)](#)

[FSAF315FTX Mtg ft ea dual \(53081\)](#)

[FSAF315B2DX Silencer 355/8 \(50117\)](#)

[FSAF315C2DX Silencer 355/8 \(50123\)](#)

Get In Touch



Call: [0845 6880112](tel:08456880112)

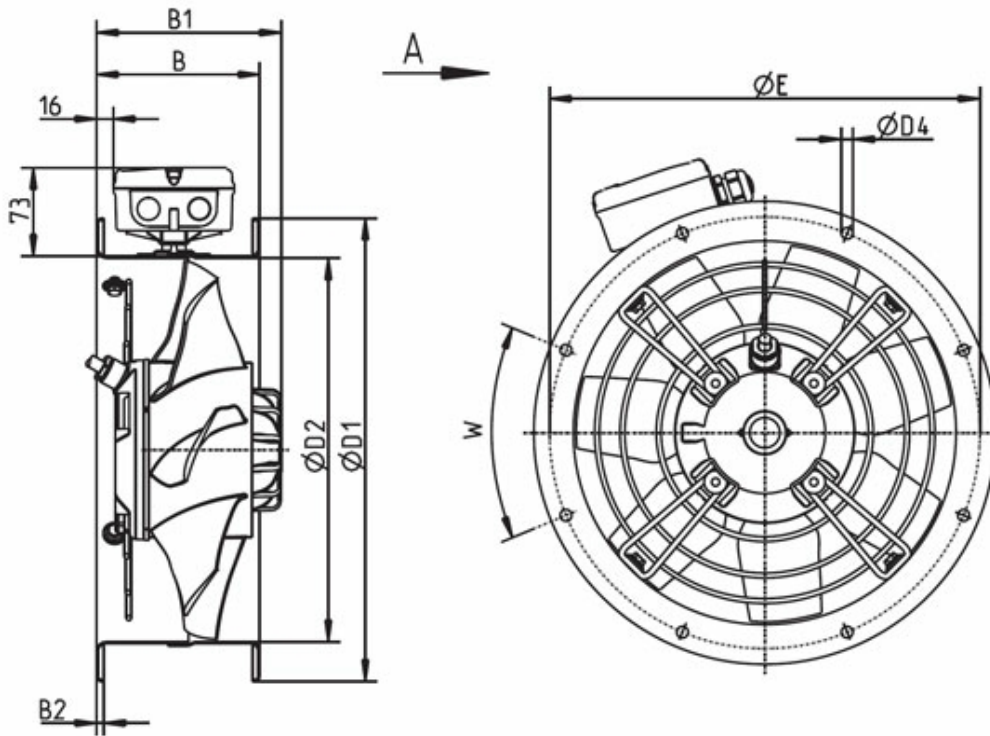


Email: info@adremit.co.uk

Our Address

Puravent, Adremit Limited, Unit 5a, Commercial Yard,
Settle, North Yorkshire, BD24 9RH

Dimensions





ZAC 315-23	B	B1	B2	D1	D2	D4	E	W
	135	133	6	382	317	9.5	356	8 X 45°

Name: **ZAC 315-23 CASED AXIAL FAN** | Item no.: **8273**

Document type: **Product card** | Document date: **2019-05-08** | Generated by: **Online catalogue**

2 / 4

Get In Touch

 Call: [0845 6880112](tel:08456880112)
 Email: info@adremit.co.uk

Our Address

Puravent, Adremit Limited, Unit 5a, Commercial Yard,
Settle, North Yorkshire, BD24 9RH

Wiring

106XA	106XB																												
Luftförderrichtung: V	Luftförderrichtung: A																												
Direction of airflow: V	Direction of airflow: A																												
Drehrichtung: Rechtslauf	Drehrichtung: Linkslauf																												
Direction of rotation: clockwise	Direction of rotation: counter clockwise																												
3~ Motor mit einer Drehzahl und Thermostatschalter (falls eingebaut).	3~ Motor mit einer Drehzahl und Thermostatschalter (falls eingebaut).																												
3~ motor with one speed and thermostatic switch (if built in).	3~ motor with one speed and thermostatic switch (if built in).																												
Moteur triphasé à une vitesse avec interrupteur thermostatique (si incorporé).	Moteur triphasé à une vitesse avec interrupteur thermostatique (si incorporé).																												
<table style="width: 100%; border: none;"> <tr><td>U1</td><td>braun</td><td>brown</td><td>brun</td></tr> <tr><td>V1</td><td>blau</td><td>blue</td><td>bleu</td></tr> <tr><td>W1</td><td>schwarz</td><td>black</td><td>noir</td></tr> <tr><td>U2</td><td>rot</td><td>red</td><td>rouge</td></tr> <tr><td>V2</td><td>grau</td><td>grey</td><td>gris</td></tr> <tr><td>W2</td><td>orange</td><td>orange</td><td>orangé</td></tr> <tr><td>TB</td><td>weiß</td><td>white</td><td>blanc</td></tr> </table>	U1	braun	brown	brun	V1	blau	blue	bleu	W1	schwarz	black	noir	U2	rot	red	rouge	V2	grau	grey	gris	W2	orange	orange	orangé	TB	weiß	white	blanc	106XA-02
U1	braun	brown	brun																										
V1	blau	blue	bleu																										
W1	schwarz	black	noir																										
U2	rot	red	rouge																										
V2	grau	grey	gris																										
W2	orange	orange	orangé																										
TB	weiß	white	blanc																										
<table style="width: 100%; border: none;"> <tr><td>U1</td><td>braun</td><td>brown</td><td>brun</td></tr> <tr><td>V1</td><td>blau</td><td>blue</td><td>bleu</td></tr> <tr><td>W1</td><td>schwarz</td><td>black</td><td>noir</td></tr> <tr><td>U2</td><td>rot</td><td>red</td><td>rouge</td></tr> <tr><td>V2</td><td>grau</td><td>grey</td><td>gris</td></tr> <tr><td>W2</td><td>orange</td><td>orange</td><td>orangé</td></tr> <tr><td>TB</td><td>weiß</td><td>white</td><td>blanc</td></tr> </table>	U1	braun	brown	brun	V1	blau	blue	bleu	W1	schwarz	black	noir	U2	rot	red	rouge	V2	grau	grey	gris	W2	orange	orange	orangé	TB	weiß	white	blanc	106XB-02
U1	braun	brown	brun																										
V1	blau	blue	bleu																										
W1	schwarz	black	noir																										
U2	rot	red	rouge																										
V2	grau	grey	gris																										
W2	orange	orange	orangé																										
TB	weiß	white	blanc																										
<div style="display: flex; justify-content: space-around;"> <div style="text-align: center;"> <p>Δ-Schaltung Δ-connection Montage Δ</p> </div> <div style="text-align: center;"> <p>Y-Schaltung Y-connection Montage Y</p> </div> </div>	<div style="display: flex; justify-content: space-around;"> <div style="text-align: center;"> <p>Δ-Schaltung Δ-connection Montage Δ</p> </div> <div style="text-align: center;"> <p>Y-Schaltung Y-connection Montage Y</p> </div> </div>																												
Anschlusschaltbild im Anschlusskasten aufbewahren. Keep wiring diagram in terminal box. Conserver le schéma de raccordement dans la boîte à bornes.	Anschlusschaltbild im Anschlusskasten aufbewahren. Keep wiring diagram in terminal box. Conserver le schéma de raccordement dans la boîte à bornes.																												

Documentation

[Operating Instruction axial fans L-BAL-001-GB\[1\].pdf \(117,64kB\)](#)

Acoustics

Frequency (Hz)	63	125	250	500	1000	2000	4000	8000	16000	dBW Total	dBA Total	dBA @ 3m
Sound Power (dBW)	71	72	83	80	78	79	75	67	64	87	85	65

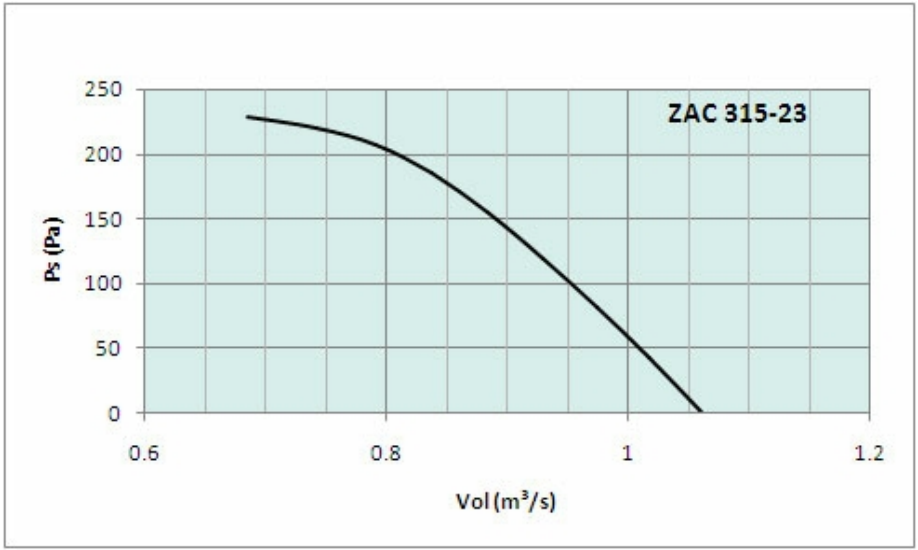
Get In Touch

Call: [0845 6880112](tel:08456880112)
Email: info@adremit.co.uk

Our Address



Puravent, Adremit Limited, Unit 5a, Commercial Yard,
Settle, North Yorkshire, BD24 9RH

Diagram



Specification text

Get In Touch

 **Call:** [0845 6880112](tel:08456880112)
 **Email:** info@adremit.co.uk

Our Address

Puravent, Adremit Limited, Unit 5a, Commercial Yard,
Settle, North Yorkshire, BD24 9RH