



ZAC 1000-63 CASED AXIAL FAN

Item no. 8290

Document type: **Product card**

Document date: **2019-05-08**

Generated by: **Systemair Online Catalogue**

Description

The ZAC range of short-cased axial fans is based around the Ziehl-Abegg external rotor motor and an aerodynamically designed impeller to provide a very compact, efficient unit. Key features are:-

- Diecast aluminium blades with high efficiency aerofoil blade design
- Maintenance free, sealed-for-life bearings
- Insulation class 'F' and IP54 protection
- Operating range of -40°C to 60°C or 70°C
- TK thermal protection
- 100% speed controllable motor
- Galvanised steel casing incorporating a flange at either end
- Corrosion resistant paint in pebble grey RAL7032
- IP54 terminal box located on outside of fan casing

Guards are available as an accessory.



Technical parameters

Voltage	400	V
Frequency	50	Hz
Phase	3	~
Input power (P1)	5500	W
Current	10,5	A
Max. airflow	13,9	m³/s
R.p.m.	935	r.p.m.
Max. temperature of transported air	60	°C
Max. temperature of transported air when speed-controlled	60	°C
Sound pressure level at 3 m	78	dB(A)
Weight	92	kg
Insulation class	F	
Enclosure class, motor	IP54	

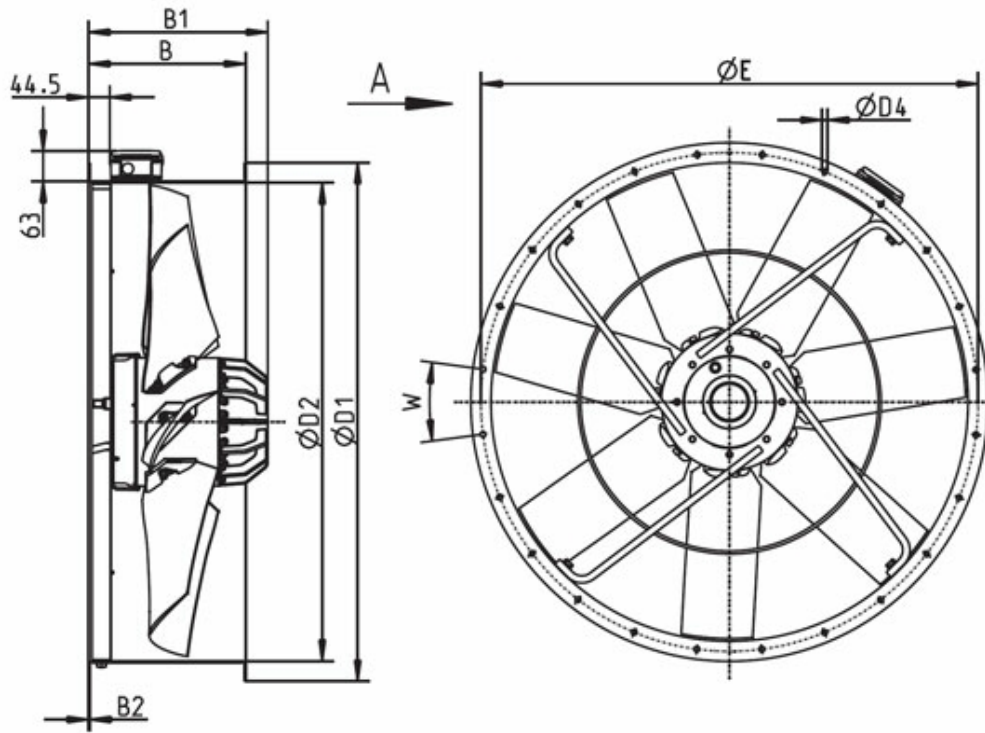
Get In Touch

 **Call:** [0845 6880112](tel:08456880112)
 **Email:** info@adremit.co.uk

Our Address

Puravent, Adremit Limited, Unit 5a, Commercial Yard,
 Settle, North Yorkshire, BD24 9RH

Dimensions



ZAC 1000-63	B	B1	B2	D1	D2	D4	E	W
	330	336	2.5	1080	1001	11.5	1043	24 X 15°

Name: **ZAC 1000-63 CASED AXIAL FAN** | Item no.: **8290**

Document type: **Product card** | Document date: **2019-05-08** | Generated by: **Online catalogue**

2 / 3

Get In Touch

Call: [0845 6880112](tel:08456880112)
 Email: info@adremit.co.uk

Our Address

Puravent, Adremit Limited, Unit 5a, Commercial Yard,
 Settle, North Yorkshire, BD24 9RH

Wiring

106XA				106XB			
Luftförderrichtung:	V			Luftförderrichtung:	A		
Direction of airflow:	V			Direction of airflow:	A		
Drehrichtung:	Rechtslauf			Drehrichtung:	Linkslauf		
Direction of rotation:	clockwise			Direction of rotation:	counter clockwise		

3~ Motor mit einer Drehzahl und Thermostatschalter (falls eingebaut).	3~ motor with one speed and thermostatic switch (if built in).
Moteur triphasé à une vitesse avec interrupteur thermostatique (si incorporé).	Moteur triphasé à une vitesse avec interrupteur thermostatique (si incorporé).

U1	braun	brown	brun	U1	braun	brown	brun
V1	blau	blue	bleu	V1	blau	blue	bleu
W1	schwarz	black	noir	W1	schwarz	black	noir
U2	rot	red	rouge	U2	rot	red	rouge
V2	grau	grey	gris	V2	grau	grey	gris
W2	orange	orange	orangé	W2	orange	orange	orangé
TB	weiß	white	blanc	TB	weiß	white	blanc

106XA-02

106XB-02

Δ-Schaltung Δ-connection Montage Δ
 Y-Schaltung Y-connection Montage Y

Anschluss Schaltbild im Anschlusskasten aufbewahren.
 Keep wiring diagram in terminal box.
 Conserver le schéma de raccordement dans la boîte à bornes.

Accessories

Accessories

- [FSAF1000FTX Mtg ft ea dual \(8628\)](#)
- [FSAF1000FC Flx con ea 90°C \(8640\)](#)
- [FSAFAV MP1 33 Green each \(89401\)](#)
- [FSAF1000MFX Flange ea dual \(53097\)](#)
- [FSAF1000B1DB Silencer 1043/24 \(58282\)](#)
- [APK 1000B Anc Pack PCD1043/24 \(8999\)](#)

Documentation



Operating Instruction axial fans L-BAL-001-GB[1].pdf (117,64kB)

Specification text

Get In Touch



Call: [0845 6880112](tel:08456880112)



Email: info@adremit.co.uk

Our Address

Puravent, Adremit Limited, Unit 5a, Commercial Yard,
Settle, North Yorkshire, BD24 9RH