

WA1400 FAN

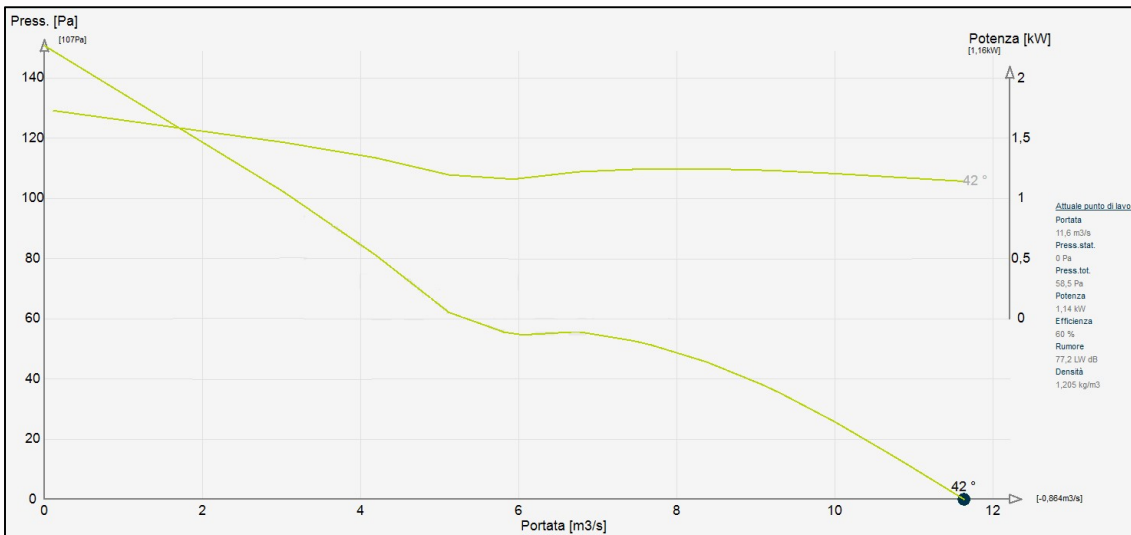
The WA1400 axial fan is specifically designed for the livestock's world: poultry, pigs and cows.

In particular, for the cow's world, it solves the problem of cowsheds with low ceilings which, by their nature, can't install fans, although it's required a constant air movement.

It has a modular structure with two assembly modes: "square" version, complete with panels and shutter, or "circular" version, by mounting only the fan shroud with or without grids. This allows to install it on the wall or along the cowshed's feed lanes through hooks with chains.

Thanks to its versatility, it's able to meet every need of the breeder.

The innovative idea of powering the Evel fan with a modern permanent magnet motor allows to reduce the consumption by 30% and reduce the noise due to the absence of belts and geared motors, making it unique in the traditional market, still linked to asynchronous motors, less efficient and noisier.



Working Point

Air Flow

41.750 m³/h

Static pressure

0 Pa

Tot. pressure

58,5 Pa

Power

1,14 KW

Blade's efficiency

60%

Noise Level

72,2 LW dB

Density

1,205 kg/m³



www.evelsrl.it

Evel Srl

Via Luigi Albertini 36 - Edificio D5 I-60131 Ancona Tel. +39 071 2865015 www.evelsrl.it info@evelsrl.it

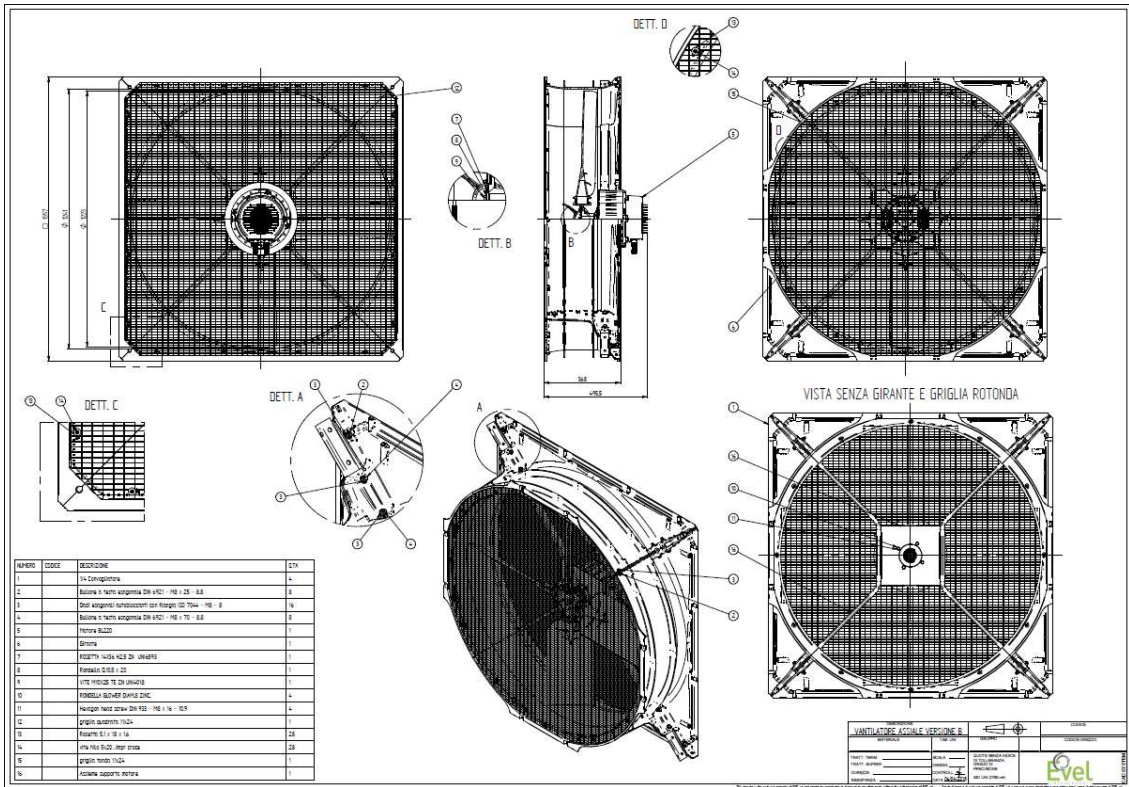
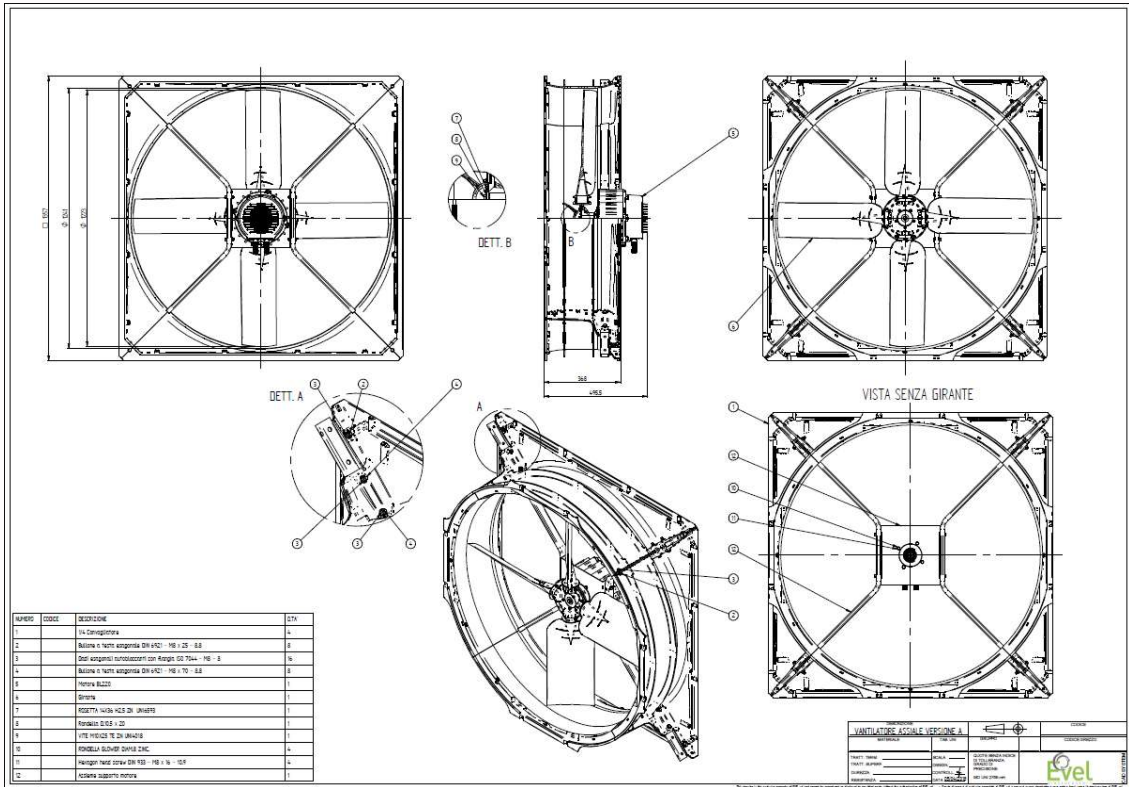
Cod. Fisc. & PIVA 02687550422 - Numero Iscrizione Registro Imprese AN02687550422 - R.E.A. di Ancona: 207278 - Cap. Soc. € 10.000,00 i.v.

Get In Touch

Call: [0845 6880112](tel:08456880112)
Email: info@adremmit.co.uk

Our Address

Puravent, Adremmit Limited, Unit 5a, Commercial Yard,
Settle, North Yorkshire, BD24 9RH



www.evelsrl.it

Evel Srl



Via Luigi Albertini 36 - Edificio D51-60131 Ancona



Tel. +39 071 2865015



www.evelsrl.it



info@evelsrl.it



Cod. Fisc. & PIVA 02687550422 - Numero Iscrizione Registro Imprese AN02687550422 - R.E.A. di Ancona: 207278 - Cap. Soc. € 10.000,00 i.v.

Get In Touch



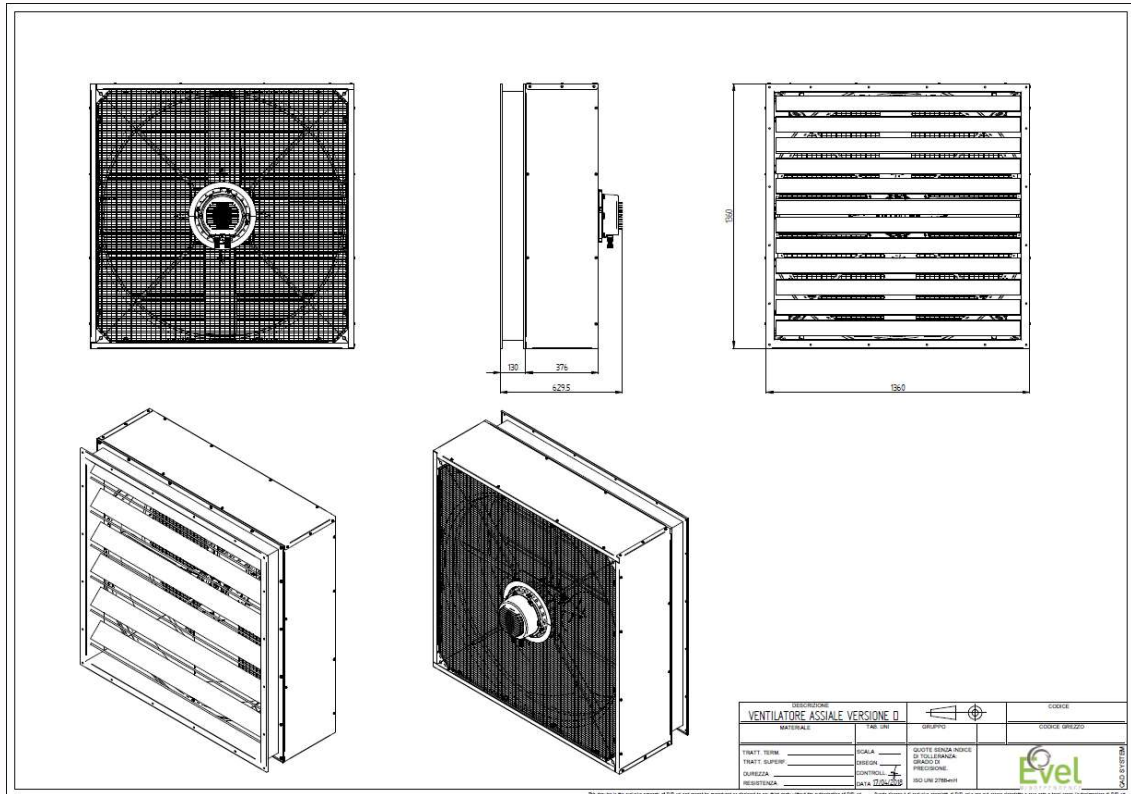
Call: 0845 6880112



Email: info@adremit.co.uk

Our Address

Puravent, Adremit Limited, Unit 5a, Commercial Yard, Settle, North Yorkshire, BD24 9RH



SPEED (rpm)

- RPM: 0-330

Technical Data:

- Impeller diameter: 1223 mm;
- Case size: 1360x1360x506mm;
- Airflow rates up to 41.750 m³/h;
- Fan shroud in plastic;
- Versatile mounting with or without outer body;
- Fan statically and dynamically balanced to ensure maximum efficiency and durability;
- Brushless motor with integrated inverter to achieve high performance with the lowest consumption.

www.evelsrl.it

Evel Srl



Via Luigi Albertini 36 - Edificio D51-60131 Ancona



Tel. +39 071 2865015



www.evelsrl.it



info@evelsrl.it



Cod. Fisc. & PIVA 02687550422 - Numero Iscrizione Registro Imprese AN02687550422 - R.E.A. di Ancona: 207278 - Cap. Soc. € 10.000,00 i.v.

Get In Touch



Call: 0845 6880112



Email: info@adremit.co.uk

Our Address

Puravent, Adremit Limited, Unit 5a, Commercial Yard,
Settle, North Yorkshire, BD24 9RH