



VKS 355-500 BACK DRAFT DAMPER

Item no. 9544

Document type: **Product card**
Document date: **2019-05-15**
Generated by: **Systemair Online Catalogue**

Description

VKS automatic shutter

Consists of flanges manufactured from galvanized steel, and of shutter blades manufactured from seawater resistant aluminium.

Suitable for DVS/DHS, DVSI, DVN.



Technical parameters

| Other | |
|--------|--------|
| Weight | 4,4 kg |

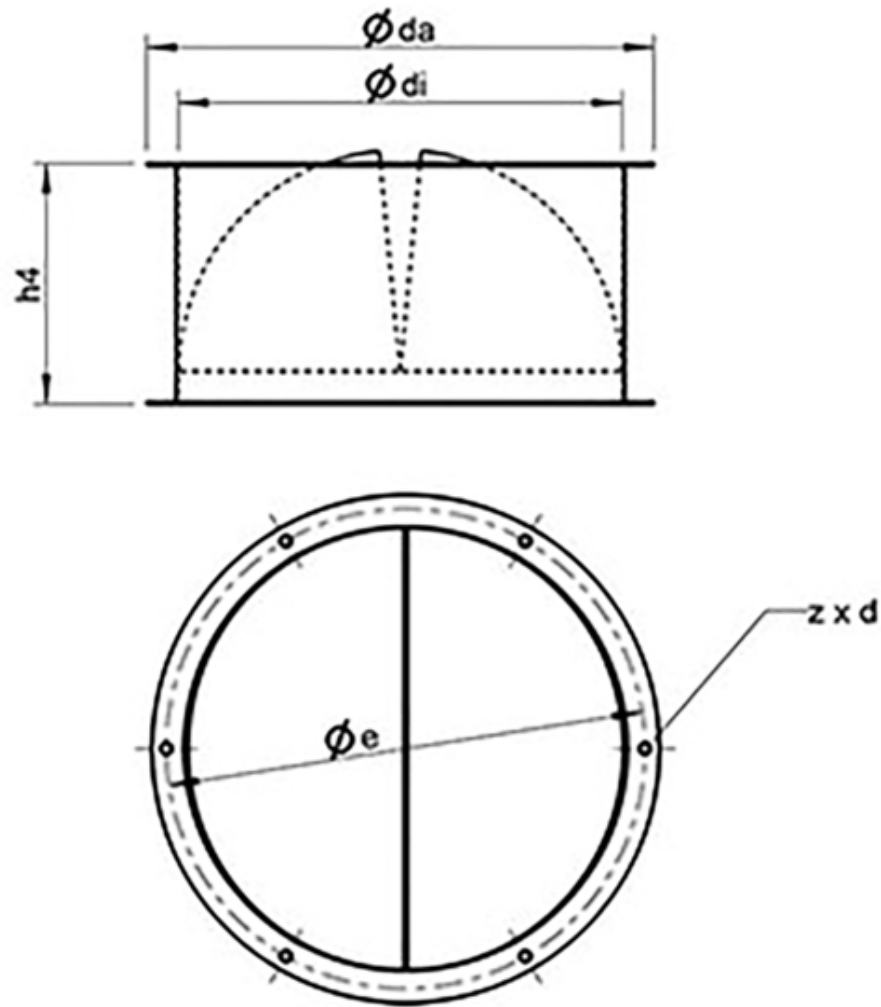
Get In Touch

Call: [0845 6880112](tel:08456880112)
 Email: info@adremit.co.uk

Our Address

Puravent, Adremit Limited, Unit 5a, Commercial Yard,
Settle, North Yorkshire, BD24 9RH

Dimensions



| | $\varnothing da$ | $\varnothing e$ | $\varnothing di$ | $h4$ | $z \times d$ |
|-------------|------------------|-----------------|------------------|------|----------------------|
| VKS 355-500 | 464 | 438 | 406 | 220 | 6 x $\varnothing 10$ |

Get In Touch



Call: [0845 6880112](tel:08456880112)



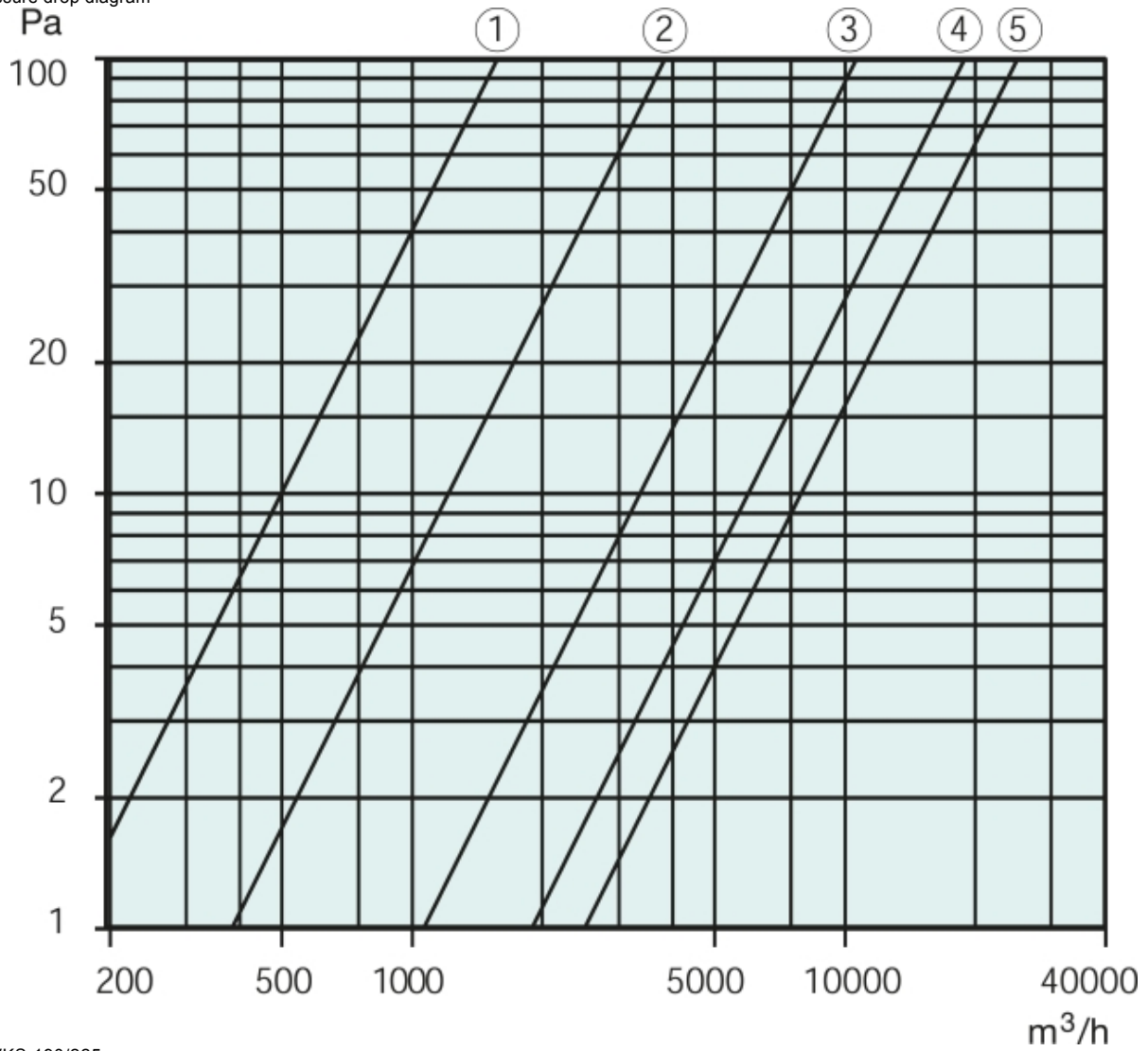
Email: info@adremit.co.uk

Our Address

Puravent, Adremit Limited, Unit 5a, Commercial Yard,
Settle, North Yorkshire, BD24 9RH



Diagram

Pressure drop diagram



- 1 VKS 190/225
- 2 VKS/VKM 310/311
- 3 VKS/VKM 355-500
- 4 VKS/VKM 560/630
- 5 VKS/VKM 710
- 6 VKS/VKM 800/900

Get In Touch

 **Call:** [0845 6880112](tel:08456880112)
 **Email:** info@adremit.co.uk

Our Address

Puravent, Adremit Limited, Unit 5a, Commercial Yard,
Settle, North Yorkshire, BD24 9RH