



VKGM 630 MOTOR. SHUTTER DVV

Item no. 95507

Document type: **Product card**
 Document date: **2019-05-15**
 Generated by: **Systemair Online Catalogue**

Description

VKGM motor driven shutter for DVV-XS...XL/120

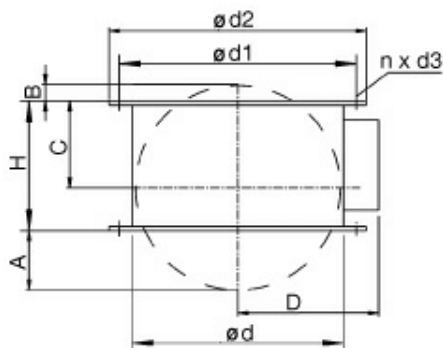
Suitable for the roof fans DVV-XS...XL/120. Temperature of use up to app. 70°C.
 Made of Magnelis steel. With direct coupled 230V/50Hz ON-OFF spring return actuator (NF230A). The flap opens when applying supply voltage. If the power supply is interrupted, the flap closes. Manually operating possible. Actuator equipped with auxiliary switches is available upon request.



Technical data:

Power consumption in operation: up to 6W
 Power consumption for wire sizing: 9,5 VA
 Connection: cable 2x0,75 mm², 1m
 Running time: opening <75s, closing <20s
 Degree of protection: IP54
 Ambient temperature: -30.....+50°C
 Maintenance free.

Dimensions



| | | ø d | ø d1 | ø d2 | n x ø d3 | A | B | C | D | H | kg |
|---------------|-----------------------------|-----|------|-------|----------|-----|-----|-----|-----|-----|----|
| VKGM 560 | pitch diameter 1 (Eurovent) | 560 | 620 | 641,5 | 12x12 | 222 | 42 | 235 | 393 | 290 | 18 |
| | pitch diameter 2 | | 605 | | 16x12 | | | | | | |
| VKGM 630 | pitch diameter 1 (Eurovent) | 630 | 690 | 721,5 | 12x12 | 257 | 77 | 235 | 428 | 290 | 21 |
| | pitch diameter 2 | | 674 | | 16x12 | | | | | | |
| VKGM 800/1000 | pitch diameter 1 (Eurovent) | 800 | 860 | 901,5 | 16x12 | 342 | 102 | 295 | 513 | 350 | 32 |
| | pitch diameter 2 | | 872 | | 8x12 | | | | | | |

2 pitch diameters

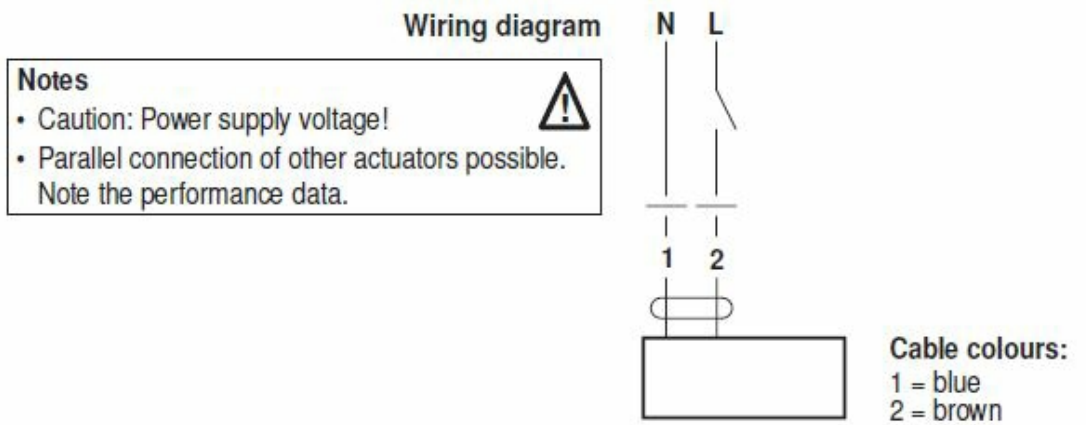
Get In Touch

Call: [0845 6880112](tel:08456880112)
 Email: info@adremit.co.uk


Our Address

Puravent, Adremit Limited, Unit 5a, Commercial Yard, Settle, North Yorkshire, BD24 9RH

Wiring



CAD drawing

 VKGM_630_00.dxf (757,41kB)

Get In Touch



Call: [0845 6880112](tel:08456880112)



Email: info@adremit.co.uk

Our Address

Puravent, Adremit Limited, Unit 5a, Commercial Yard,
Settle, North Yorkshire, BD24 9RH