



VKG-EX 630 (EUROVENT)

Item no. 95456

Document type: **Product card**

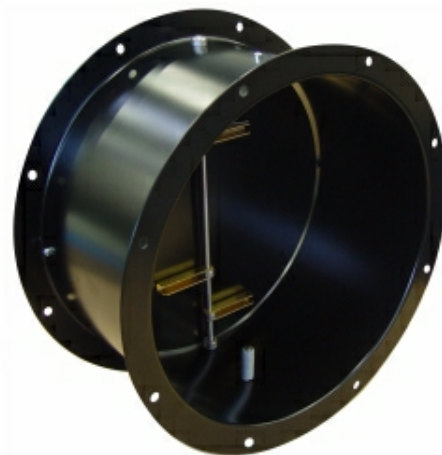
Document date: **2019-05-15**

Generated by: **Systemair Online Catalogue**

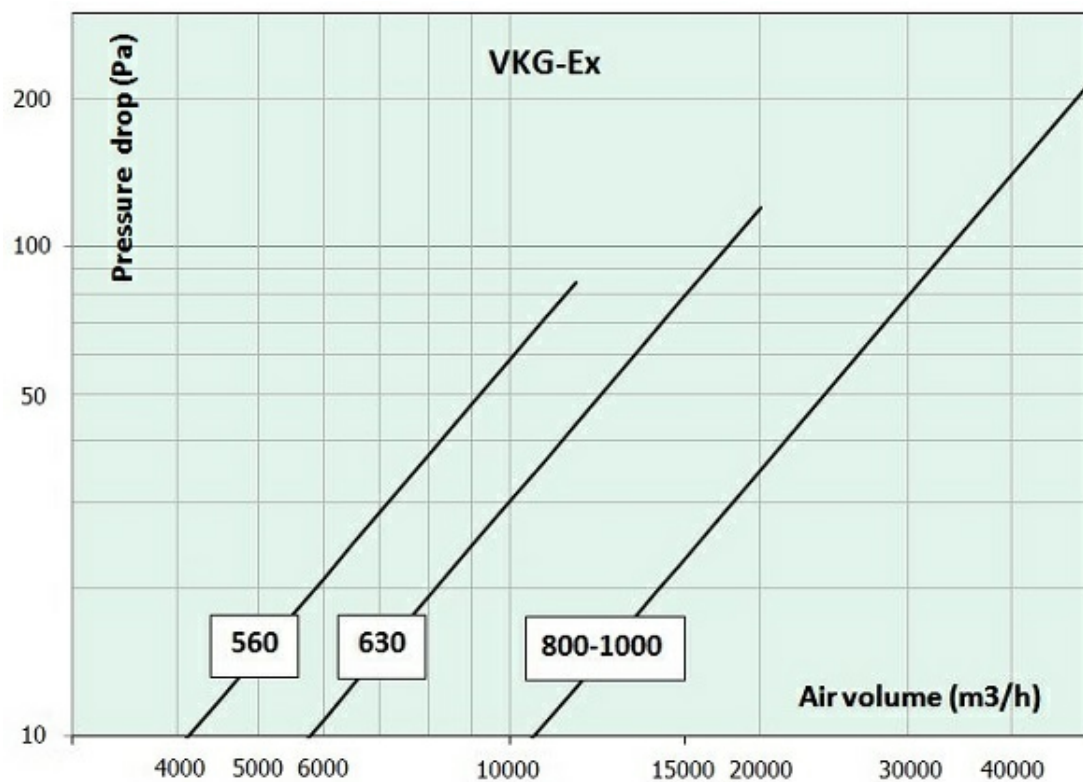
Description

VKG-EX automatic shutter for DVV-Ex fans

The casing and the blades are made of magnelis steel and protected with dissipative powder coating in RAL 9005. Installation with horizontal axis only. Without springs, operating with air stream. Suitable for DVV-Ex fans with marking XS, XM, XL.



Diagram



Get In Touch

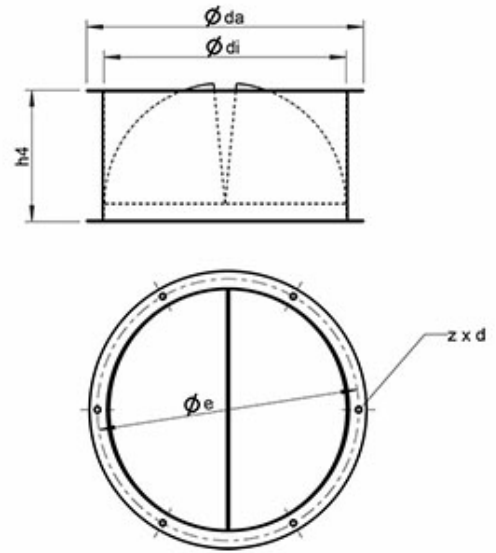
Call: [0845 6880112](tel:08456880112)
Email: info@adremit.co.uk

Our Address


Puravent, Adremit Limited, Unit 5a, Commercial Yard,
Settle, North Yorkshire, BD24 9RH

Dimensions

	$\varnothing da$	$\varnothing e$	$\varnothing di$	$h4$	$zx\varnothing d$	kg
VKG-Ex 560	651,5	620	560	250	12x12	13
VKG-Ex 630	721,5	690	630	290	12x12	16
VKG-Ex 800-1000	901,5	860	800	350	16x12	24



CAD drawing

 VKG_Ex_630_00.dxf (36,45kB)

Get In Touch



Call: [0845 6880112](tel:08456880112)



Email: info@adremit.co.uk

Our Address

Puravent, Adremit Limited, Unit 5a, Commercial Yard,
Settle, North Yorkshire, BD24 9RH