

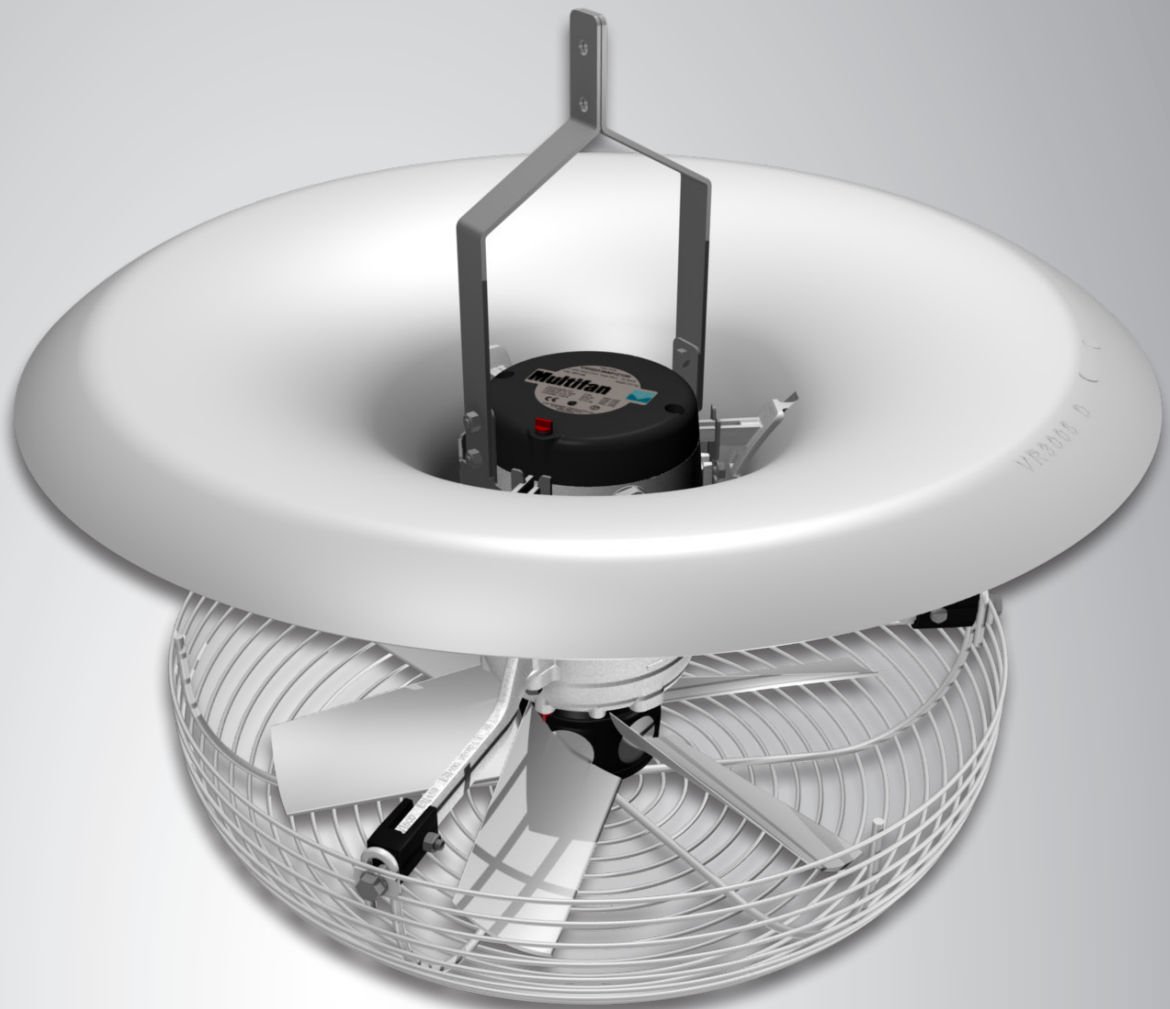


Multifan



V-FloFan for greenhouses

For an active microclimate on crop level



VOSTERMANS
VENTILATION

YOUR SPECIALIST IN AIR

Get In Touch



Call: [0845 6880112](tel:08456880112)



Email: info@adremit.co.uk

Our Address

Puravent, Adremit Limited, Unit 5a, Commercial Yard,
Settle, North Yorkshire, BD24 9RH



Optimal microclimate on crop level

In modern greenhouses ventilation plays a vital role. Through circulation of air, heat distribution in the greenhouses is optimized, which enhances a uniform development of the crops. With the V-FloFan, Multifan offers the grower the opportunity to reduce the negative impacts, due to humidity, in a simple and energy efficient way. The vertical airflow results in an optimal uniform microclimate on plant level.



Why choose this fan:

- Creates an active microclimate on crop level
- Results an uniform climate in greenhouses
- Controls the humidity level
- Constant low airspeed at crop level
- Reduces the energy costs through vertical airflow
- 3-year warranty

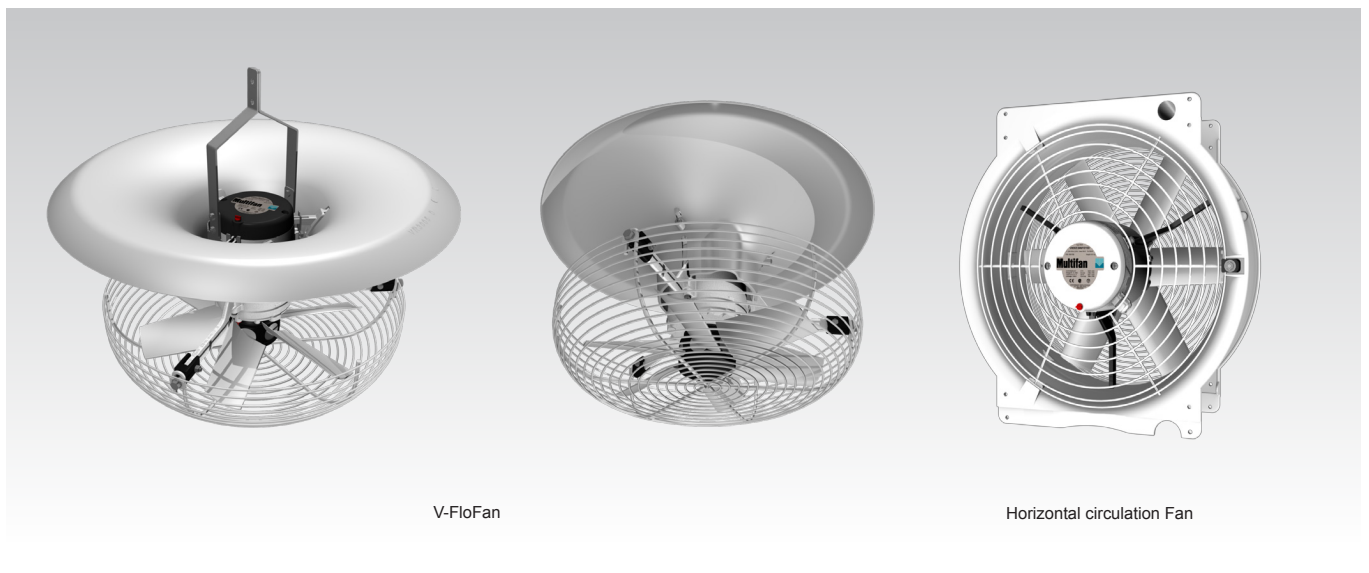
Features:

- Special aerodynamic shaped conical outlet for optimal vertical airflow
- The V-FloFan is applicable for several cultivation systems and crops
- Reflecting white color for usage in greenhouses
- IP55 motor (water and dust resistant)
- Low noise (45/47 dB at 7 meters)


Horizontal ventilation solutions for Greenhouses:

For greenhouses with large temperature/humidity variation, we have a horizontal circulation fan available for a more uniform indoor climate. This horizontal circulation fan mixes the air faster compared with the V-FloFan, but has less effect at root level. The V-FloFan and circulation fan are not suitable to use together.

Please, contact our Vostermans Ventilation team for technical details about the circulation 40 cm or 50 cm fan.



Get In Touch

-  Call: [0845 6880112](tel:08456880112)
 Email: info@adremit.co.uk

Our Address

Puravent, Adremit Limited, Unit 5a, Commercial Yard,
Settle, North Yorkshire, BD24 9RH



“At the start of the trial I had not expected the system to work as good as it actually does. Not only did the measurements show a better temperature distribution, the tomatoes grew more uniform throughout the greenhouse.”

Bert van den Brand, Fresh Valley, NL

Service

Our well trained dealer network on a location near you will provide advice and service. They can work with you defining your specifications at the start of your project, support you with the installation and maintain your equipment after installation. When needed, the Vostermans Customer Care team is available for additional support. We enjoy sharing our knowledge, based on more than 65 years of experience in agriculture ventilation and circulation.

Technical data

Power supply			(n) RPM	Item number	I _{nom} (A)	P _{in} (W)	Qv at 0 Pa (m3/h)	Controllability*	L _{pa} dB (A)**
1~	230V	50Hz	950	T6E40A2M81160	1,0	165	5050	E/T	45
1~	240V	60Hz	1130	T6E40K0M81160	0,9	205	5200	E/T	47
1~	120V	60Hz	1140	T6E40K1M81160	2,0	215	5200	E/T	47
3~	230/400V	50Hz	955	T6D40A0M81160	0,9 / 0,5	155	5050	T	45
3~	240/420V	60Hz	1135	T6D40K2M81160	0,8 / 0,45	190	5200	T	47
3~	265/460V	60Hz	1145	T6D40K3M81160	0,9 / 0,5	200	5300	T	47

* Controllable Electronically (E), by Transformer (T) or by Frequency (F)

** Sound pressure level measured at 7 meters free blowing distance

*** For any other request please contact our sales team

**** 4 pole V-FloFans available on request.

Get In Touch



Call: [0845 6880112](tel:08456880112)



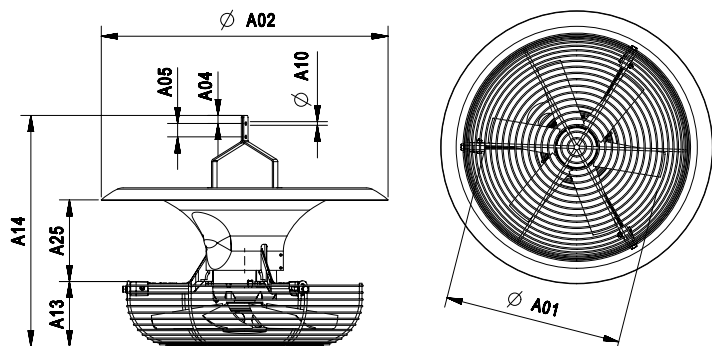
Email: info@adremit.co.uk

Our Address

Puravent, Adremit Limited, Unit 5a, Commercial Yard, Settle, North Yorkshire, BD24 9RH



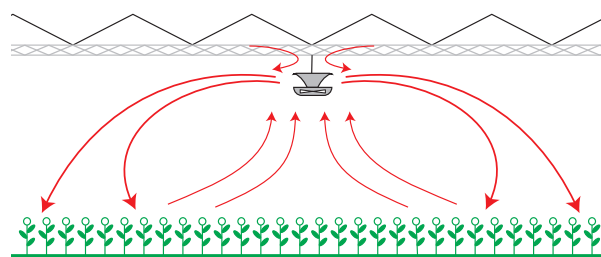
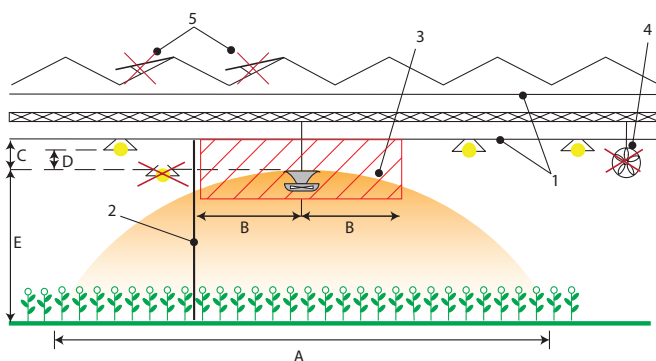
Dimensions



Dimensions (mm)								
mm	A01	A02	A04	A05	A10	A13	A14	A25
400	420	650	18	30	8	146	539	182

Dimensions packaging (mm)
720 x 720 x 400

Installation



Legenda

A	+/- 18 m	1	Screens
B	Minimal 2 m	2	Pillar
C	Minimal 0,5 m	3	No obstacles within a range of 2 m from the fan
D	> 0 m	4	Do not combine horizontal fans with the V-FloFan
E	For optimal results we recommend a maximum installation height of 5m	5	Other air flows can influence the effect of the V-FloFan

Why choose Vostermans Ventilation:

LOYAL TO YOU

We care for your specific needs based on our long expertise. In close cooperation with you we secure your business outcomes.

RELIABLE

Since our foundation in the Netherlands in 1952, we maintain our reputation as reliable partner. Our carefully selected global network of independent distributors strive to deliver you dedicated service and expertise.

FUTURE PROOF

Our future proof approach, which combines energy efficiency solutions with robust quality and rigorous testing, is based on a genuine commitment to serve as a trusted partner.

Vostermans Ventilation is a global developer and manufacturer of sustainable axial fans for the agricultural and industrial market. Sustainability is key for Vostermans. Their premium brandlines Multifan and EMI are showcasing the drive for advanced energy efficient fans. The company applies continuous innovation and research in their own motor production facility and in house state of the art R&D department. Vostermans Ventilation, part of Vostermans Companies founded in 1952, is based in Venlo, the Netherlands and operates in USA, China and Malaysia.



VOSTERMANS
VENTILATION

YOUR SPECIALIST IN AIR

All rights reserved. Vostermans Companies is not responsible for inaccurate or incomplete data. In case of any questions and / or remarks please contact ventilation@vostermans.com. Subject to alterations 03/2017

Venlo - The Netherlands
Tel. +31 (0)77 389 32 32
ventilation@vostermans.com

Bloomington, IL - USA
Tel. +1 309 827-9798
ventilation@vostermansusa.com

Tmn Klang Jaya - Malaysia
Tel. +60 (0)3 3324 3638
ventilation@vostermansasia.com

Shanghai - China
Tel. +86 21 5290 2889/2899
ventilation@vostermanschina.com

www.vostermans.com

Get In Touch

Call: 0845 6880112
Email: info@adremit.co.uk

Our Address

Puravent, Adremit Limited, Unit 5a, Commercial Yard,
Settle, North Yorkshire, BD24 9RH

