



## VBC 160-3 WATER HEATING BATT

Item no. 9840

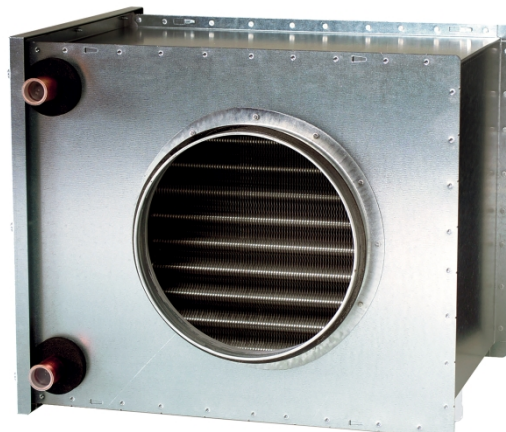
Document type: **Product card**  
 Document date: **2019-05-15**  
 Generated by: **Systemair Online Catalogue**

### Description

Water-heating battery for heating air in ventilation systems with circular ducts. Aluzinc-coated casing, heat transmission element with copper tubes and aluminium fins. Removable cover for cleaning the unit.

The water-heating battery can be installed in a horizontal or a vertical duct with optional direction of airflow.

Max operating temperature 150 °C  
 Max operating pressure 1,6 MPa (16Bar)  
 3-rows battery

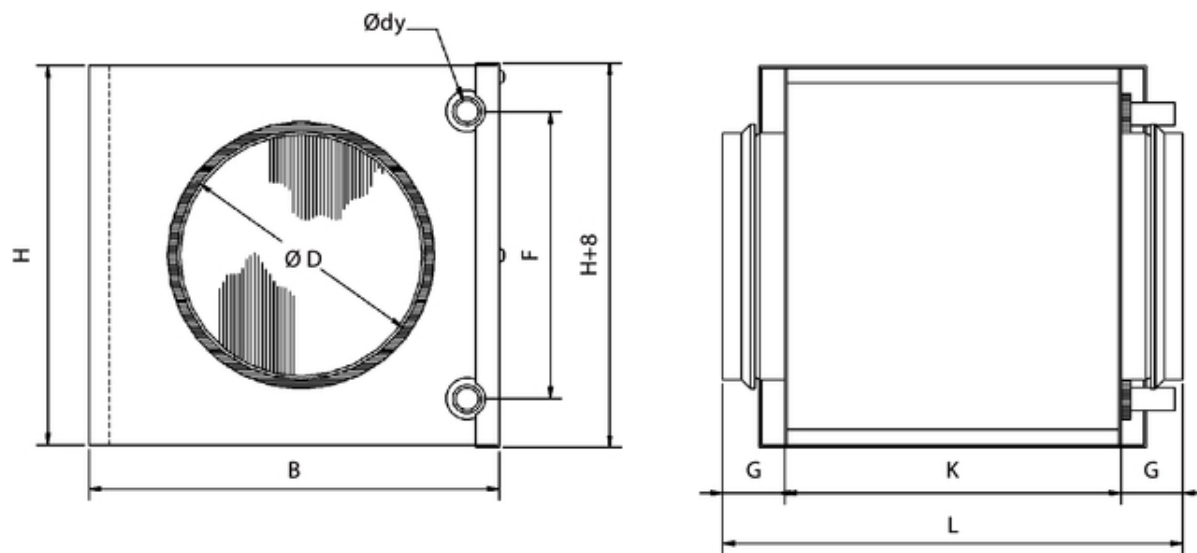


### Technical parameters

Weight 5,2 kg

### Coil calculation

#### Dimensions



	ØD	B	H	Ødy	F	G	K	L	
VBC 100-3	100	238	180	10	100	40	276	356	3,8 kg
VBC 125-3	125	313	255	10	175	40	276	356	5,5 kg
VBC 160-3	160	313	255	10	175	40	276	356	5,4 kg
VBC 200-3	200	398	330	22	250	40	276	356	8,2 kg
VBC 250-3	250	473	405	22	325	40	276	356	10,2 kg
VBC 315-3	315	557	504	22	400	40	276	356	13,4 kg
VBC 400-3	400	707	539	22	425	65	330	460	17,9 kg

#### Get In Touch

Call: [0845 6880112](tel:08456880112)  
 Email: [info@adremit.co.uk](mailto:info@adremit.co.uk)

#### Our Address

Puravent, Adremit Limited, Unit 5a, Commercial Yard,  
 Settle, North Yorkshire, BD24 9RH

## Accessories

### Electric accessories

- [TG-K360 Duct sensor 0-60°C \(4846\)](#)
- [AQUA 24TF Heat Regulator \(5136\)](#)
- [TG-A130 Surface sensor 0-30°C \(5159\)](#)
- [TG-K330 Duct Sensor 0-30°C \(5160\)](#)
- [RVAZ4-24 Actuator 3points \(9798\)](#)
- [ZTV 15-0.4 2-way valve \(9829\)](#)
- [RVAZ4 24A Actuator 0-10V \(9862\)](#)
- [ZTR 15-0.4 valve 3-way \(9670\)](#)

## Documentation



VBC\_172009.pdf (228,20kB)



Conformity\_decl. PGK\_VBR(PGV)\_VBC(CWW)\_CWK.pdf (17,06kB)

### Get In Touch



Call: [0845 6880112](tel:08456880112)

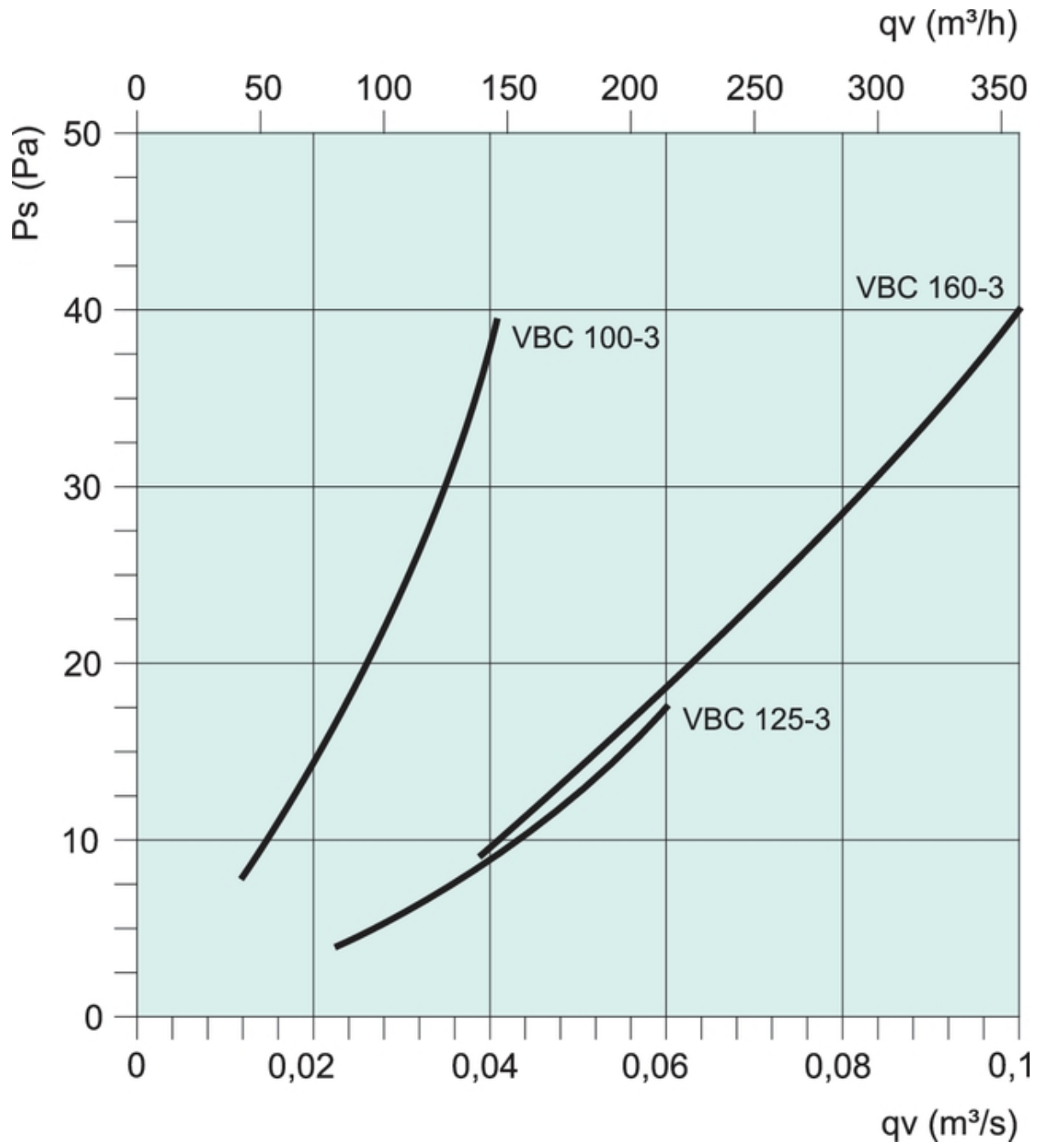


Email: [info@adremit.co.uk](mailto:info@adremit.co.uk)

### Our Address

Puravent, Adremit Limited, Unit 5a, Commercial Yard,  
Settle, North Yorkshire, BD24 9RH

Diagram



Name: **VBC 160-3 WATER HEATING BATT** | Item no.: **9840**

Document type: **Product card** | Document date: **2019-05-15** | Generated by: **Online catalogue**

Get In Touch

Call: [0845 6880112](tel:08456880112)  
Email: [info@adremit.co.uk](mailto:info@adremit.co.uk)

Our Address

Puravent, Adremit Limited, Unit 5a, Commercial Yard,  
Settle, North Yorkshire, BD24 9RH