



## VBC 160-2 WATER HEATING BATT

Item no. 5458

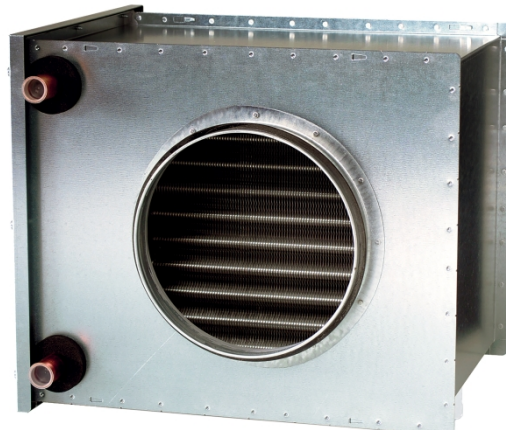
Document type: **Product card**  
 Document date: **2019-05-15**  
 Generated by: **Systemair Online Catalogue**

### Description

Water-heating battery for heating air in ventilation systems with circular ducts. Aluzinc-coated casing, heat transmission element with copper tubes and aluminium fins. Removable cover for cleaning the unit.

The water-heating battery can be installed in a horizontal or a vertical duct with optional direction of airflow.

Max operating temperature 150 °C  
 Max operating pressure 1,6 MPa (16Bar)  
 2-rows battery

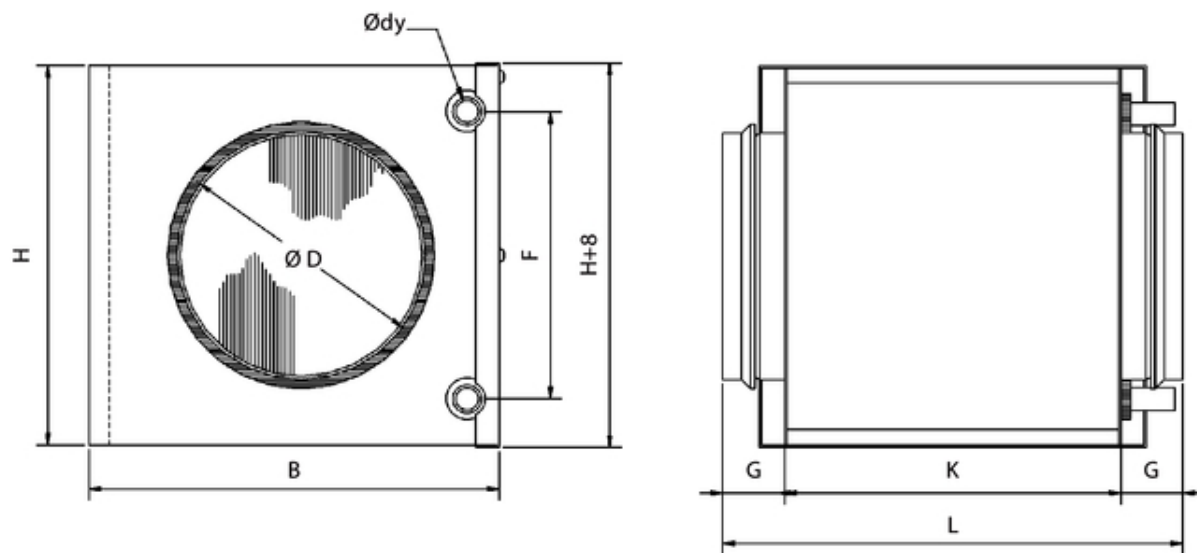


### Technical parameters

Weight 5,4 kg

### Coil calculation

#### Dimensions



	ØD	B	H	Ødy	F	G	K	L	
VBC 100-2	100	238	180	10	137	40	276	356	3,7 kg
VBC 125-2	125	238	180	10	137	40	276	356	3,5 kg
VBC 160-2	160	313	255	10	212	40	276	356	5,4 kg
VBC 200-2	200	313	255	10	212	40	276	356	5,3 kg
VBC 250-2	250	398	330	22	250	40	276	356	7,7 kg
VBC 315-2	315	473	405	22	325	40	276	356	9,9 kg
VBC 400-2	400	557	504	22	400	65	276	406	13,1 kg
VBC 500-2	500	707	529	22	425	65	330	460	16,9 kg

#### Get In Touch

Call: [0845 6880112](tel:08456880112)  
 Email: [info@adremit.co.uk](mailto:info@adremit.co.uk)

#### Our Address

Puravent, Adremit Limited, Unit 5a, Commercial Yard,  
 Settle, North Yorkshire, BD24 9RH

## Accessories


### Electric accessories


- [TG-K360 Duct sensor 0-60°C \(4846\)](#)
- [AQUA 24TF Heat Regulator \(5136\)](#)
- [TG-A130 Surface sensor 0-30°C \(5159\)](#)
- [TG-K330 Duct Sensor 0-30°C \(5160\)](#)
- [RVAZ4-24 Actuator 3points \(9798\)](#)
- [RVAZ4 24A Actuator 0-10V \(9862\)](#)

### Accessories

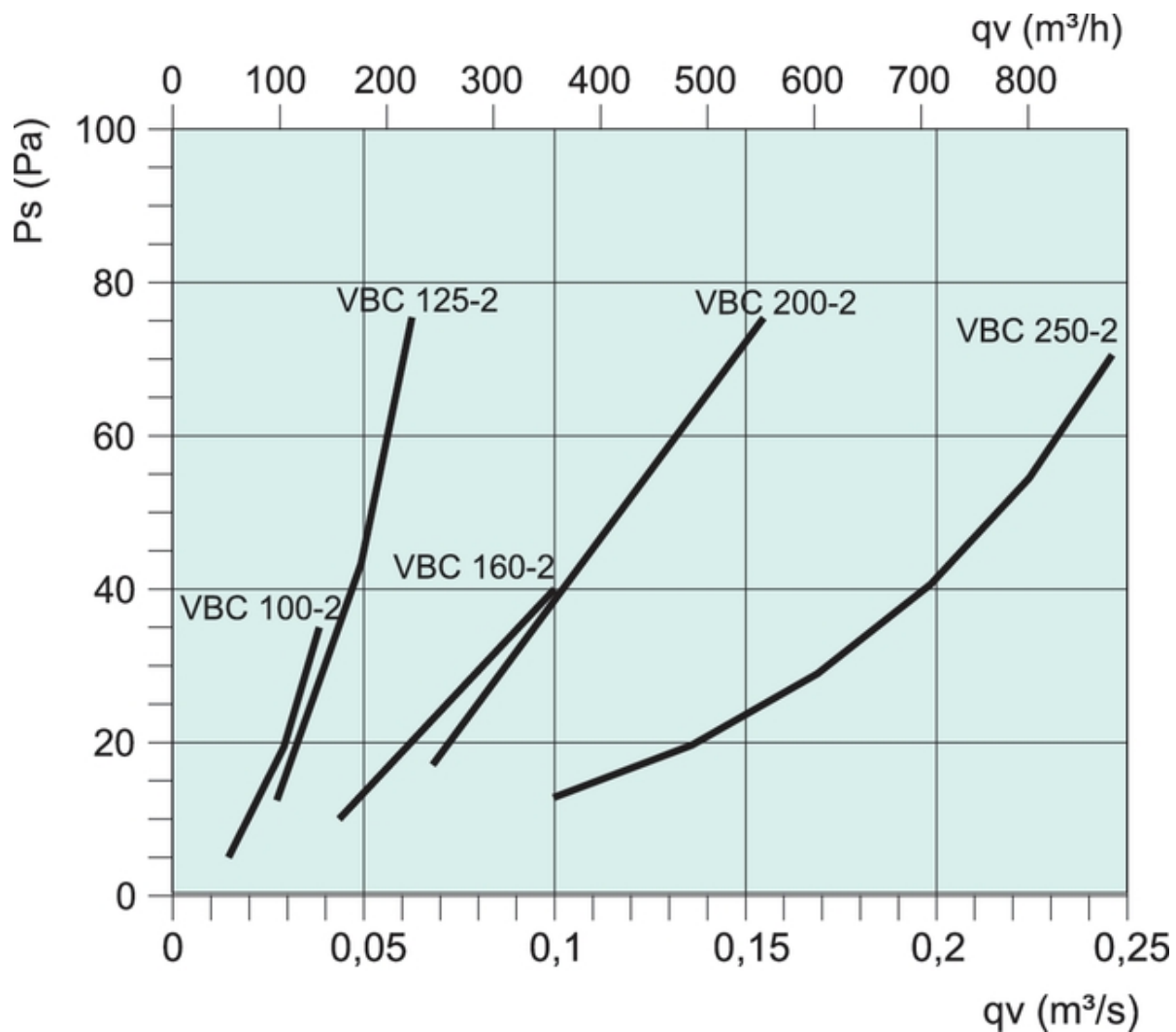
- [ZTR 15-0,6 valve 3-way \(6573\)](#)
- [ZTV 15-0,6 2-way valve \(6571\)](#)

## Documentation

 [VBC\\_172009.pdf \(228,20kB\)](#)

 [Conformity\\_decl. PGK\\_VBR\(PGV\)\\_VBC\(CWW\)\\_CWK.pdf \(17,06kB\)](#)

## Diagram



Name: **VBC 160-2 WATER HEATING BATT** | Item no.: **5458**

Document type: **Product card** | Document date: **2019-05-15** | Generated by: **Online catalogue**

2 / 2

### Get In Touch

 Call: [0845 6880112](tel:08456880112)  
 Email: [info@adremit.co.uk](mailto:info@adremit.co.uk)

### Our Address

Puravent, Adremit Limited, Unit 5a, Commercial Yard,  
Settle, North Yorkshire, BD24 9RH