



VBC 125-3 WATER HEATING BATT

Item no. 9839

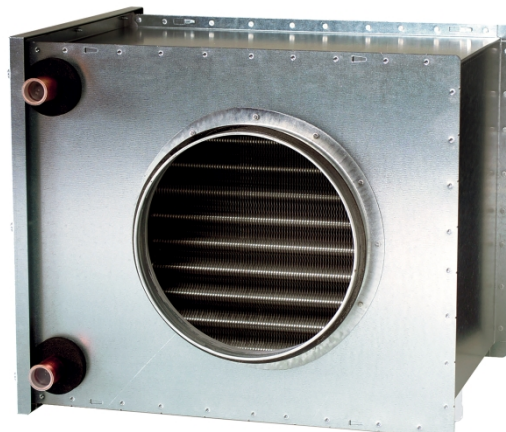
Document type: **Product card**
 Document date: **2019-05-15**
 Generated by: **Systemair Online Catalogue**

Description

Water-heating battery for heating air in ventilation systems with circular ducts. Aluzinc-coated casing, heat transmission element with copper tubes and aluminium fins. Removable cover for cleaning the unit.

The water-heating battery can be installed in a horizontal or a vertical duct with optional direction of airflow.

Max operating temperature 150 °C
 Max operating pressure 1,6 MPa (16Bar)
 3-rows battery

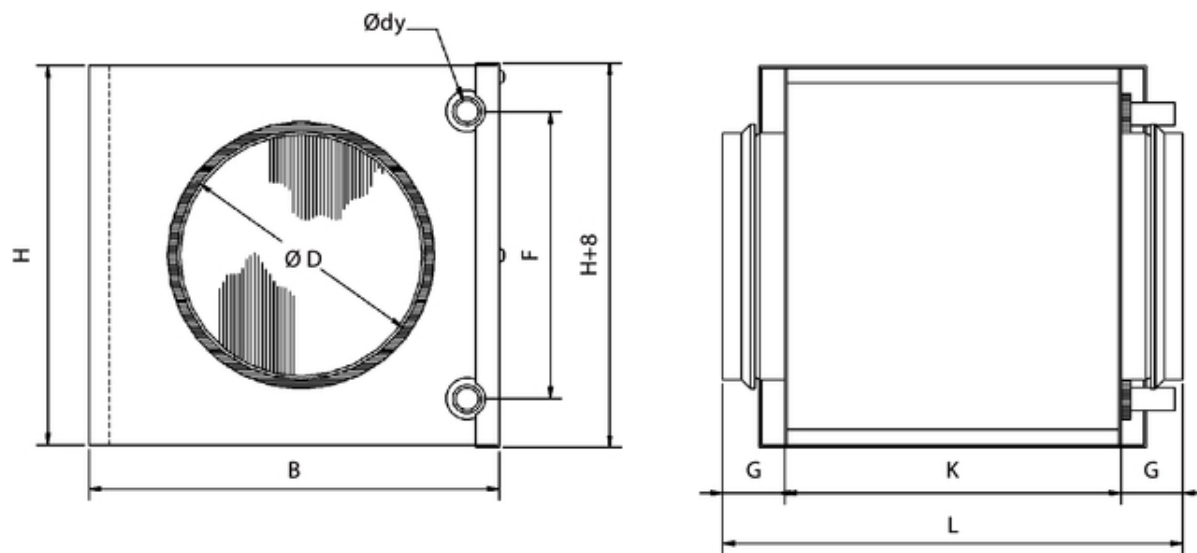


Technical parameters

Weight 5,2 kg

Coil calculation

Dimensions



	ØD	B	H	Ødy	F	G	K	L	
VBC 100-3	100	238	180	10	100	40	276	356	3,8 kg
VBC 125-3	125	313	255	10	175	40	276	356	5,5 kg
VBC 160-3	160	313	255	10	175	40	276	356	5,4 kg
VBC 200-3	200	398	330	22	250	40	276	356	8,2 kg
VBC 250-3	250	473	405	22	325	40	276	356	10,2 kg
VBC 315-3	315	557	504	22	400	40	276	356	13,4 kg
VBC 400-3	400	707	539	22	425	65	330	460	17,9 kg

Get In Touch

Call: [0845 6880112](tel:08456880112)
 Email: info@adremit.co.uk

Our Address

Puravent, Adremit Limited, Unit 5a, Commercial Yard,
 Settle, North Yorkshire, BD24 9RH

Accessories

Electric accessories

- [TG-K360 Duct sensor 0-60°C \(4846\)](#)
- [AQUA 24TF Heat Regulator \(5136\)](#)
- [TG-A130 Surface sensor 0-30°C \(5159\)](#)
- [TG-K330 Duct Sensor 0-30°C \(5160\)](#)
- [RVAZ4-24 Actuator 3points \(9798\)](#)
- [ZTV 15-0.4 2-way valve \(9829\)](#)
- [RVAZ4 24A Actuator 0-10V \(9862\)](#)
- [ZTR 15-0.4 valve 3-way \(9670\)](#)

Documentation



VBC_172009.pdf (228,20kB)



Conformity_decl. PGK_VBR(PGV)_VBC(CWW)_CWK.pdf (17,06kB)

Get In Touch



Call: [0845 6880112](tel:08456880112)

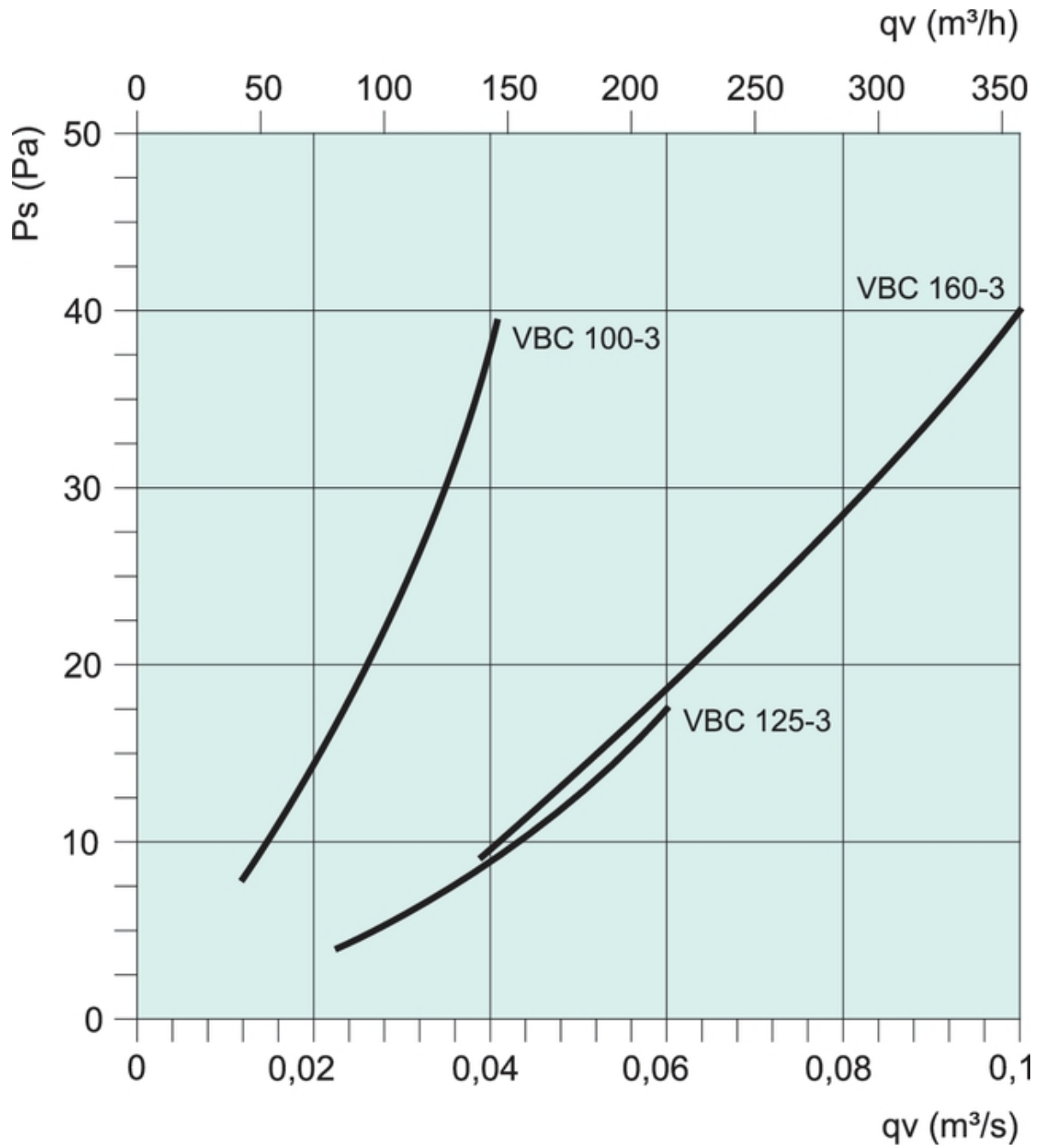


Email: info@adremit.co.uk

Our Address

Puravent, Adremit Limited, Unit 5a, Commercial Yard,
Settle, North Yorkshire, BD24 9RH

Diagram



Name: **VBC 125-3 WATER HEATING BATT** | Item no.: **9839**

3 / 3

Document type: **Product card** | Document date: **2019-05-15** | Generated by: **Online catalogue**

Get In Touch

Call: [0845 6880112](tel:08456880112)
Email: info@adremit.co.uk

Our Address

Puravent, Adremit Limited, Unit 5a, Commercial Yard,
Settle, North Yorkshire, BD24 9RH