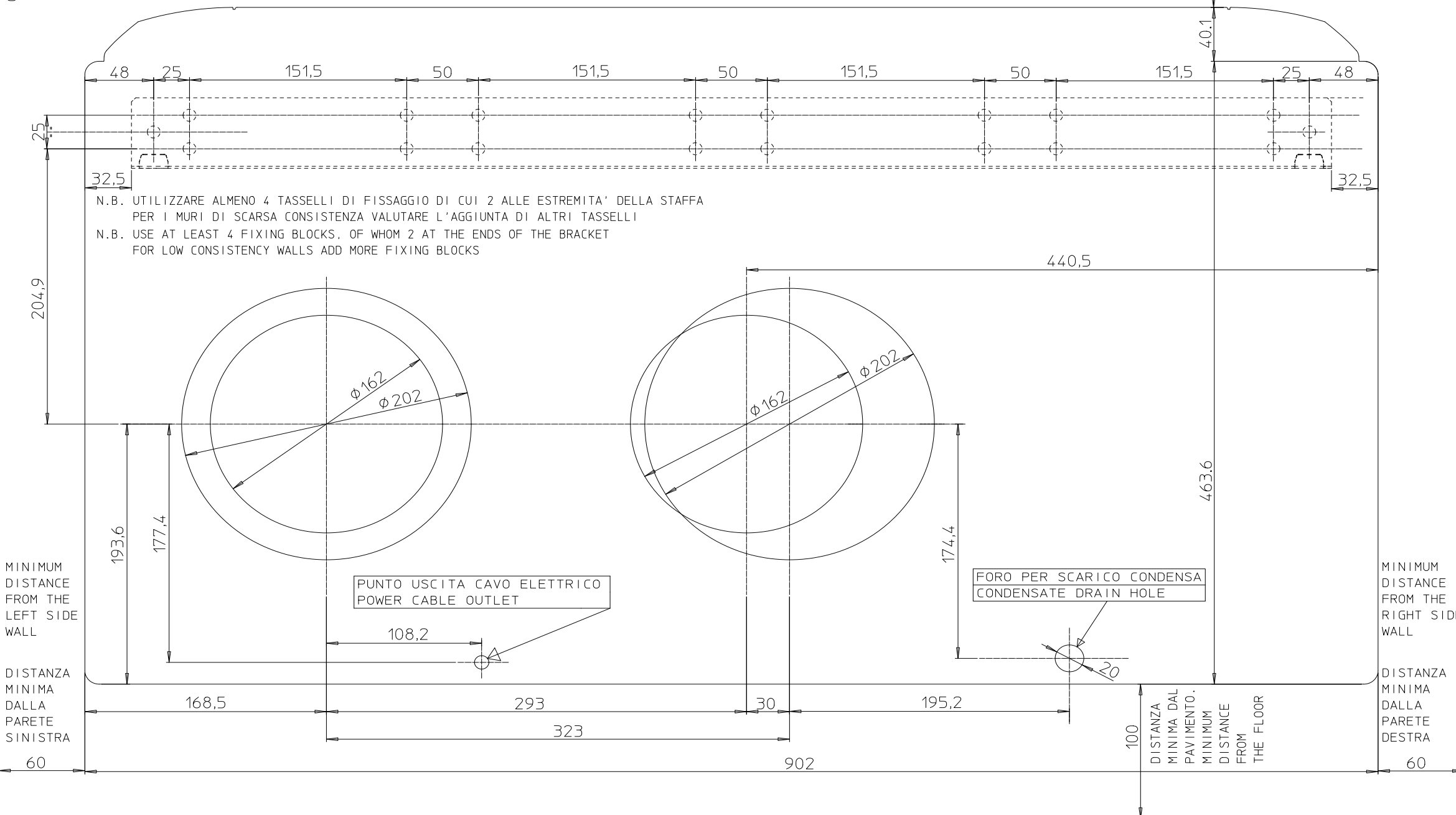




COD. 263740A

SOFFITTO / CEILING

DISTANZA MINIMA DAL SOFFITTO. MINIMUM DISTANCE FROM THE CEILING



Get In Touch



Call: 0845 6880112



Email: info@adremi.co.uk

Our Address

Puravent, Adremi Limited, Unit 5a, Commercial Yard,
Settle, North Yorkshire, BD24 9RH

