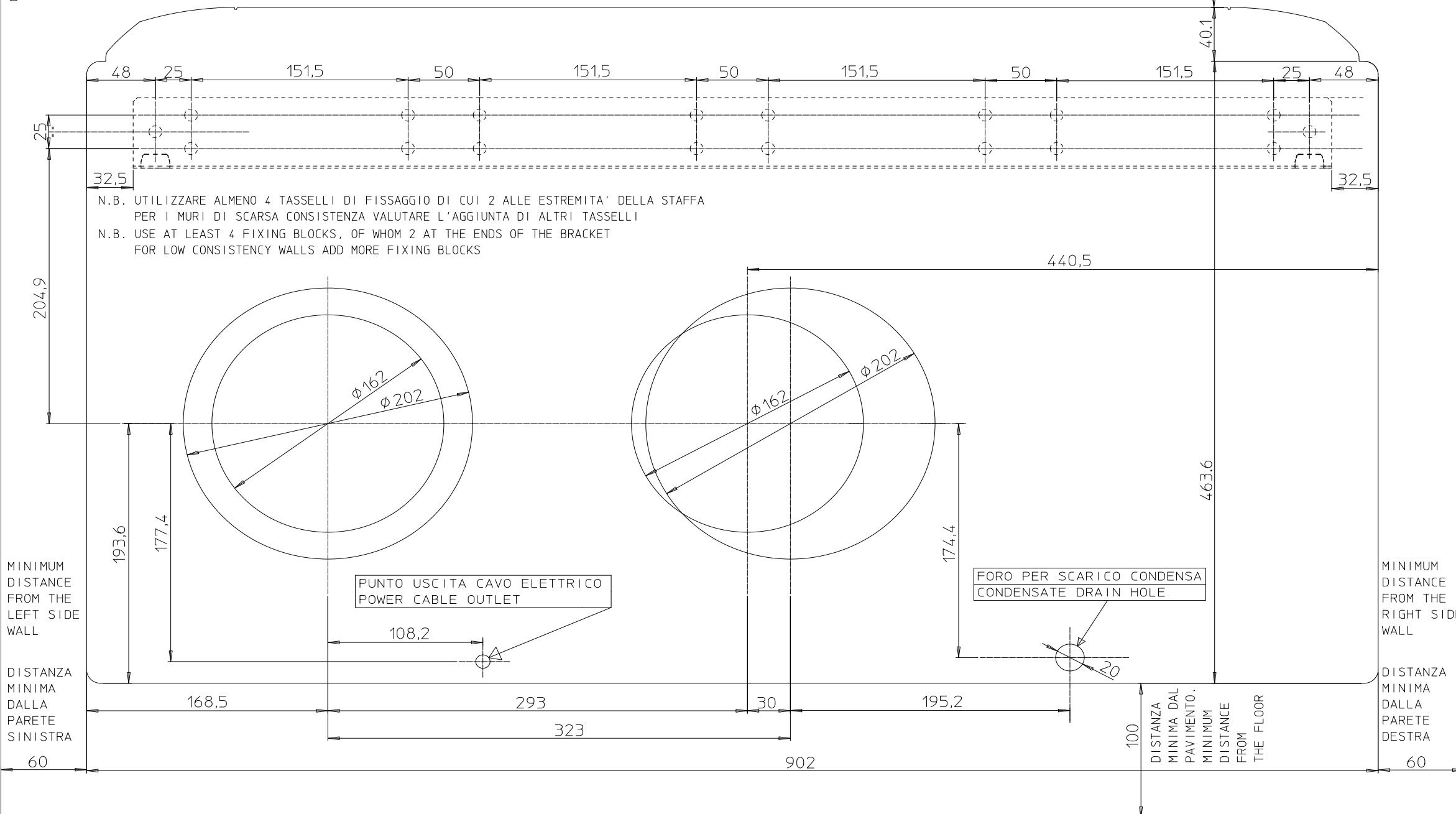




COD. 263740A

# SOFFITTO / CEILING

DISTANZA MINIMA DAL SOFFITTO. MINIMUM DISTANCE FROM THE CEILING



## Get In Touch



Call: 0845 6880112



Email: [info@adremi.co.uk](mailto:info@adremi.co.uk)

## Our Address

Puravent, Adremi Limited, Unit 5a, Commercial Yard, Settle, North Yorkshire, BD24 9RH

