

UNIREC



High-efficiency single-zone heat recovery ventilators for domestic installations.



Designed to renew the air inside the home while minimising energy loss, and to supply clean air, due to their filters, which prevent particles entering from outside.

Features:

- Reversible EC fan.
- Thermal efficiency of 90%.
- Equipped with G3 filters.
- Compact ceramic heat exchanger.
- Easily-installed, the telescopic duct means that they are suitable for several wall thicknesses.
- Automatic air intake grille; in the OFF position it remains closed to prevent air leakages.
- In heat recovery mode, the supply and extraction cycle takes 70 seconds.
- Duct length from 120mm to 470mm.

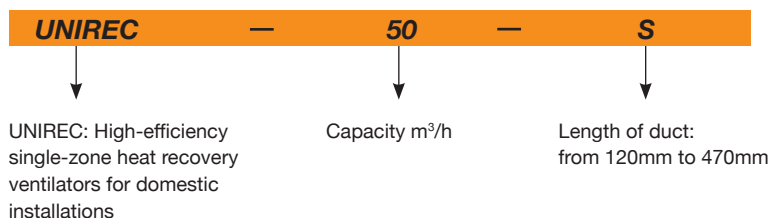
Control:

- Control panel built into the system.
- Remote control.
- Extract, blow or heat recovery.
- Two speeds.
- Humidity control.
- Natural mode, air intake grille open and fan stopped.
- Option of connecting several machines in a network.

Motor:

- Supply voltage of 100V to 230V, 50/60Hz.
- Built-in power cable.

Order code



Technical characteristics

Model	Fans			Input Voltage (V)	Frequency (Hz)	Maximum airflow (m ³ /h)	Thermal efficiency (%)	LpA radiated 3m dB(A)	Temperature of air transported (°C)	Diameter of duct (mm)	Length of duct (mm)
	Speed (r/min)	Current (A)	Power (W)								
UNIREC-35-S	1670	0.032	5.10	1x100-230	50/60	30	90	28	-20 a +50	125	120-470
UNIREC-50-S	1450	0.039	5.61	1x100-230	50/60	54	90	23	-20 a +50	150	120-470

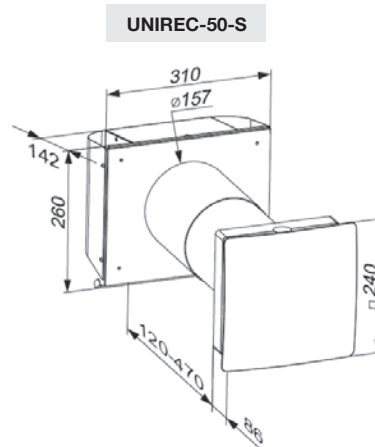
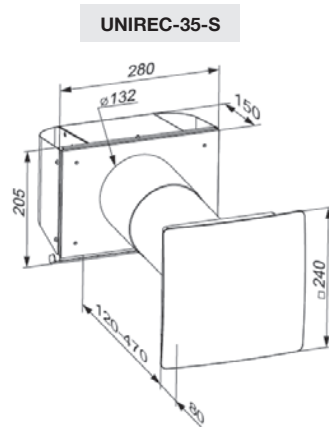
Get In Touch

Call: 0845 6880112
 Email: info@adremit.co.uk

Our Address

Puravent, Adremit Limited, Unit 5a, Commercial Yard, Settle, North Yorkshire, BD24 9RH

Dimensions in mm



Working cycles in recovery mode

EXTRACTION (70 seconds)



During this cycle, the ceramic heat exchanger absorbs heat from the extracted air.

SUPPLY (70 seconds)



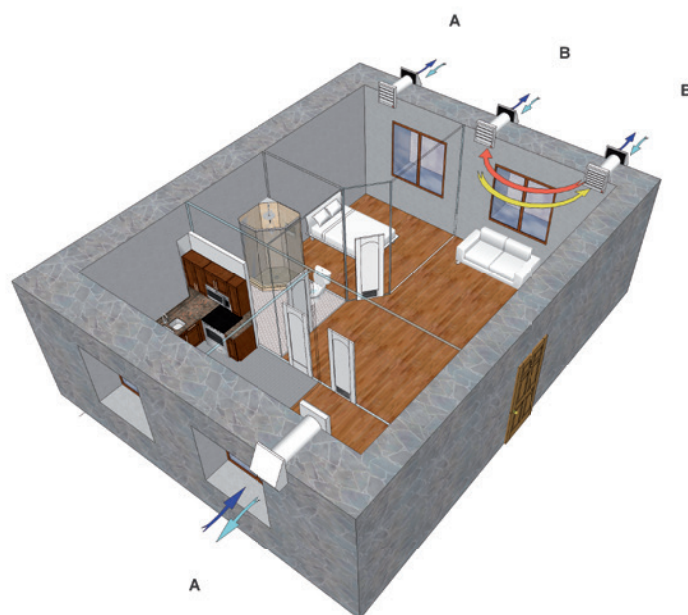
During this cycle, the heat exchanger provides heat to the air coming in from the outside.

Once this cycle has finished, the process of extraction starts again, and so on.

Example of equipment installation

A: Machines working individually in heat recovery mode for a single room.

B: Machines working in a network, synchronised; while one performs the supply cycle, the other performs the extraction cycle, and so on.



Get In Touch

Call: 0845 6880112
Email: info@adremit.co.uk

Our Address

Puravent, Adremit Limited, Unit 5a, Commercial Yard, Settle, North Yorkshire, BD24 9RH