



## UGS 025/315 ADAPTER FLEX.

Item no. 31290

Document type: **Product card**

Document date: **2019-05-21**

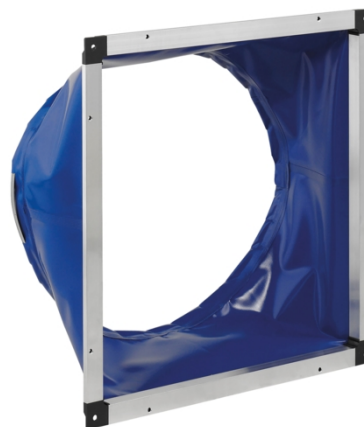
Generated by: **Systemair Online Catalogue**

### Description

Adaptor flexible square to circular

Reduction from square to round. The frame is manufactured from aluminium and neoprene coated fabric. For temperature up to 60°C. The circular side has a locking ring for easy installation to the duct system.

Suitable for MUB and K.. airhandling units.



### Technical parameters

Other	
Weight	1 kg

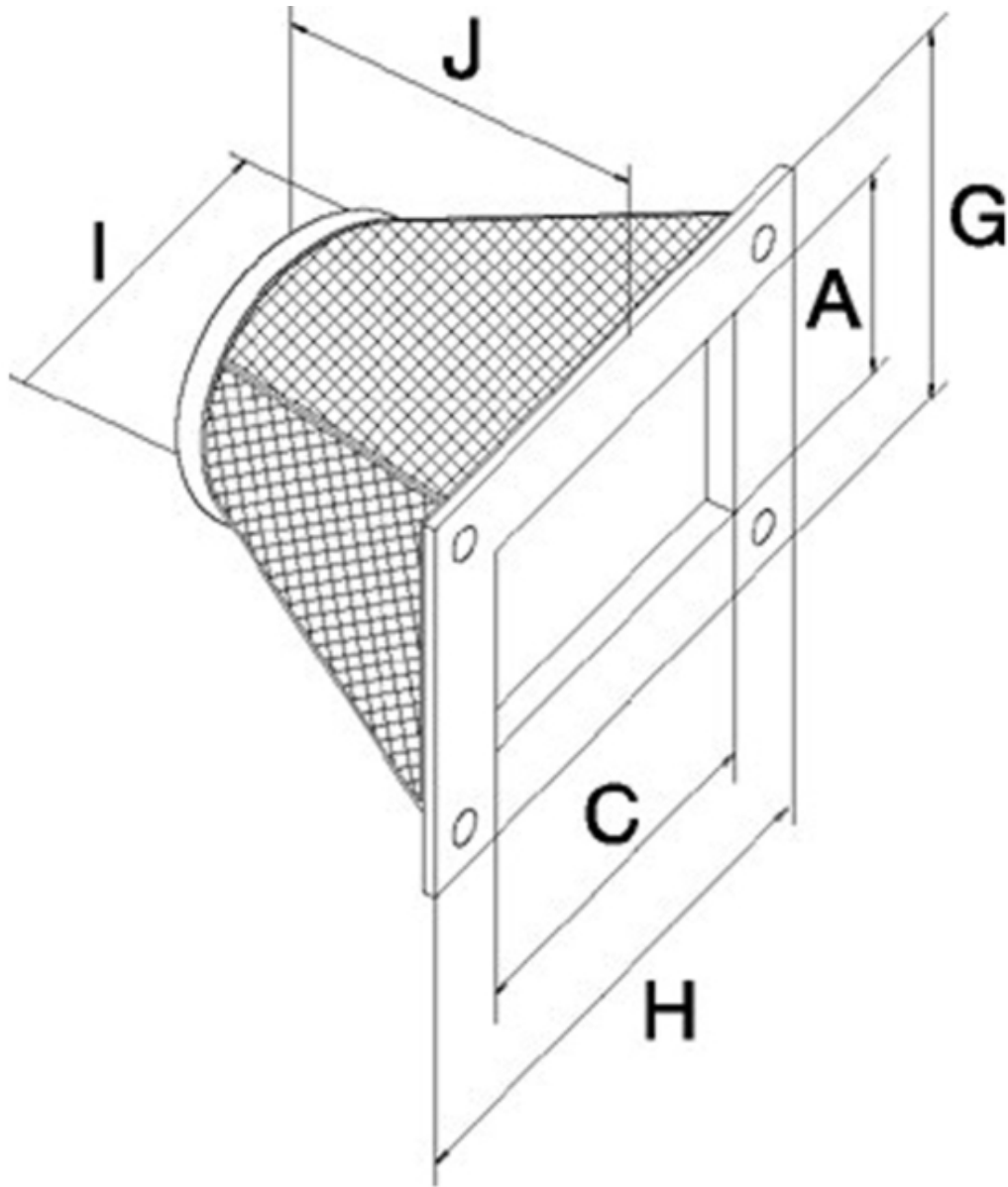
#### Get In Touch

 Call: [0845 6880112](tel:08456880112)  
 Email: [info@adremit.co.uk](mailto:info@adremit.co.uk)

#### Our Address

Puravent, Adremit Limited, Unit 5a, Commercial Yard,  
Settle, North Yorkshire, BD24 9RH

## Dimensions



A/C	G/H	I	J
UGS 025/315	358	418	315 210

## Documentation

## Accessories

Name: **UGS 025/315 ADAPTER FLEX.** | Item no.: **31290**

Document type: **Product card** | Document date: **2019-05-21** | Generated by: **Online catalogue**

2 / 2

## Get In Touch



Call: [0845 6880112](tel:08456880112)



Email: [info@adremit.co.uk](mailto:info@adremit.co.uk)

## Our Address

Puravent, Adremit Limited, Unit 5a, Commercial Yard,  
Settle, North Yorkshire, BD24 9RH