

Thermowarm TWT/TWTC

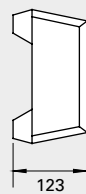
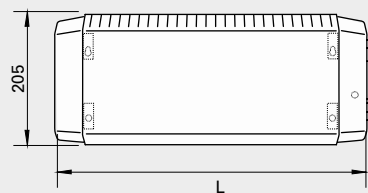
Easily positioned convector in several different designs

Thermowarm is a series of easily installed convectors designed for public buildings such as changing rooms, stores and toilets. TWTC can also be used in corrosive and aggressive environments. TWT200 has a surface temperature as low as 60 °C, which makes it ideal for daycare centres and bathrooms.

Thermowarm is easy to position and has, despite its small size, a large heat output. The three different surface finishes: white, grey covered panel covered and stainless steel, make Thermowarm suitable for most environments. The front cover can be opened making it straightforward to keep the convectors clean and tidy.

- Thermowarm is available in four designs:
 - **TWT100:** white front, RAL 9016, NCS S 0500-N, and grey sides. Equipped with power switch. IP44.
 - **TWT200:** grey covered front panel and grey sides. Equipped with power switch, surface temperature 60 °C. IP44.
 - **TWT300:** white front, RAL 9016, NCS S 0500-N and grey sides, with mains cord and plug. IP21.
 - **TWTC:** stainless steel design and black sides. Equipped with mains cord and plug. Concealed temperature setting. IP54.
- With ribbed flanges and tubular elements.
- Resettable overheating protection along the full length of the convector.
- Integrated thermostat with setting range 0 – +35 °C.
- TWT100 is approved by Det Norske Veritas.
- Ends of impact resistant thermoplastic.

Dimensions



	L [mm]
TWT103/203/303, TWTC303	345
TWT105/205/305, TWTC305	465
TWT110/210/310, TWTC310	765



Get In Touch

Call: 0845 6880112
Email: info@adremit.co.uk

Our Address

Puravent, Adremit Limited, Unit 5a, Commercial Yard, Settle, North Yorkshire, BD24 9RH

Thermowarm TWT100. White front, with switch. (IP44)

Type	Output [W]	Voltage [V]	LxHxD [mm]	Weight [kg]
TWT10321	300	230V~	345x205x123	1,5
TWT10331	300	400V~	345x205x123	1,5
TWT10521	500	230V~	465x205x123	2,0
TWT10531	500	400V~	465x205x123	2,0
TWT11021	1000	230V~	765x205x123	3,0
TWT11031	1000	400V~	765x205x123	3,0

Thermowarm TWT200. Grey covered front, with switch. Max surface temperature of 60 °C. (IP44)

Type	Output [W]	Voltage [V]	LxHxD [mm]	Weight [kg]
TWT20321	300	230V~	345x205x123	1,5
TWT20331	300	400V~	345x205x123	1,5
TWT20521	500	230V~	465x205x123	2,0
TWT20531	500	400V~	465x205x123	2,0
TWT21021	1000	230V~	765x205x123	3,0
TWT21031	1000	400V~	765x205x123	3,0

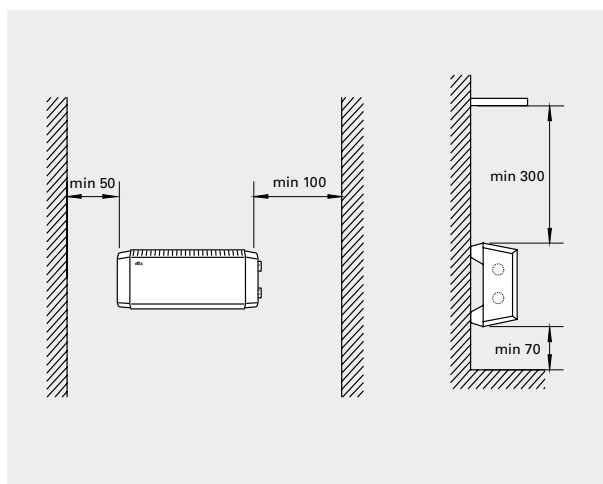
Thermowarm TWT300. White front, with cable and plug. (IP21)

Type	Output [W]	Voltage [V]	LxHxD [mm]	Weight [kg]
TWT30321	300	230V~	345x205x123	1,5
TWT30521	500	230V~	465x205x123	2,0
TWT31021	1000	230V~	765x205x123	3,0

Thermowarm TWTC. Front in stainless steel, with cable and plug. (IP54)

Type	Output [W]	Voltage [V]	LxHxD [mm]	Weight [kg]
TWTC30321	300	230V~	345x205x123	1,5
TWTC30521	500	230V~	465x205x123	2,0
TWTC31021	1000	230V~	765x205x123	3,0

Minimum distances



In the stainless steel design Thermowarm withstands corrosive environments.

Get In Touch

Call: [0845 6880112](tel:08456880112)
 Email: info@adremit.co.uk

Our Address

Puravent, Adremit Limited, Unit 5a, Commercial Yard,
 Settle, North Yorkshire, BD24 9RH