



TRF-DVV 800-TRANSITION FRAME

Item no. 95587

Document type: **Product card**
Document date: **2019-05-29**
Generated by: **Systemair Online Catalogue**

Description

Socket silencer for DVG

The roof sockets FDGE/F are suitable for pitched roof constructions up to a max. angle of 30°. Angle of supports and height above roof can be adjusted on the socket - 3 positions to fasten and rotate the supports.

Casing manufactured from aluzinc steel sheet, insulation of mineral wool with a textile lining. Insulation is secured with an additional metallic guard. The surface of insulation is abrasion resistant. Supplied with sealing between socket and fan.



Technical parameters

Other	
Weight	22,2 kg

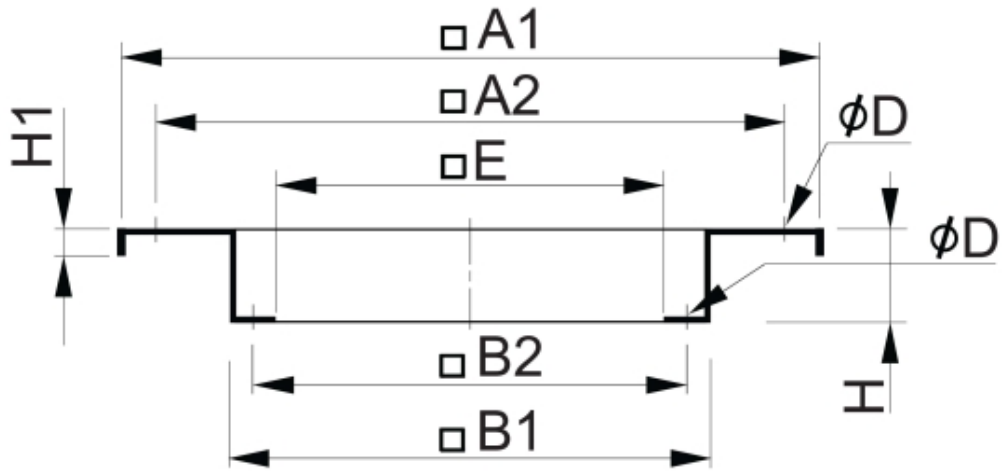
Get In Touch

Call: [0845 6880112](tel:08456880112)
 Email: info@adremit.co.uk

Our Address

Puravent, Adremit Limited, Unit 5a, Commercial Yard,
Settle, North Yorkshire, BD24 9RH

Dimensions





	A1	A2	E	B1	B2	H	H1	D
95587 Transition frame	1210	1050	856	975	880	70	25	20

Name: **TRF-DVV 800-TRANSITION FRAME** | Item no.: **95587**

Document type: **Product card** | Document date: **2019-05-29** | Generated by: **Online catalogue**

2 / 2

Get In Touch

 Call: [0845 6880112](tel:08456880112)
 Email: info@adremit.co.uk

Our Address

Puravent, Adremit Limited, Unit 5a, Commercial Yard,
Settle, North Yorkshire, BD24 9RH