



TRF-DVV 560 TO DVG 400-450

Item no. 95589

Document type: **Product card**
Document date: **2019-05-29**
Generated by: **Systemair Online Catalogue**

Description

Socket silencer for DVG

The roof sockets FDGE/F are suitable for pitched roof constructions up to a max. angle of 30°. Angle of supports and height above roof can be adjusted on the socket - 3 positions to fasten and rotate the supports.

Casing manufactured from aluzinc steel sheet, insulation of mineral wool with a textile lining. Insulation is secured with an additional metallic guard. The surface of insulation is abrasion resistant. Supplied with sealing between socket and fan.



Technical parameters

Other	
Weight	7 kg

Get In Touch

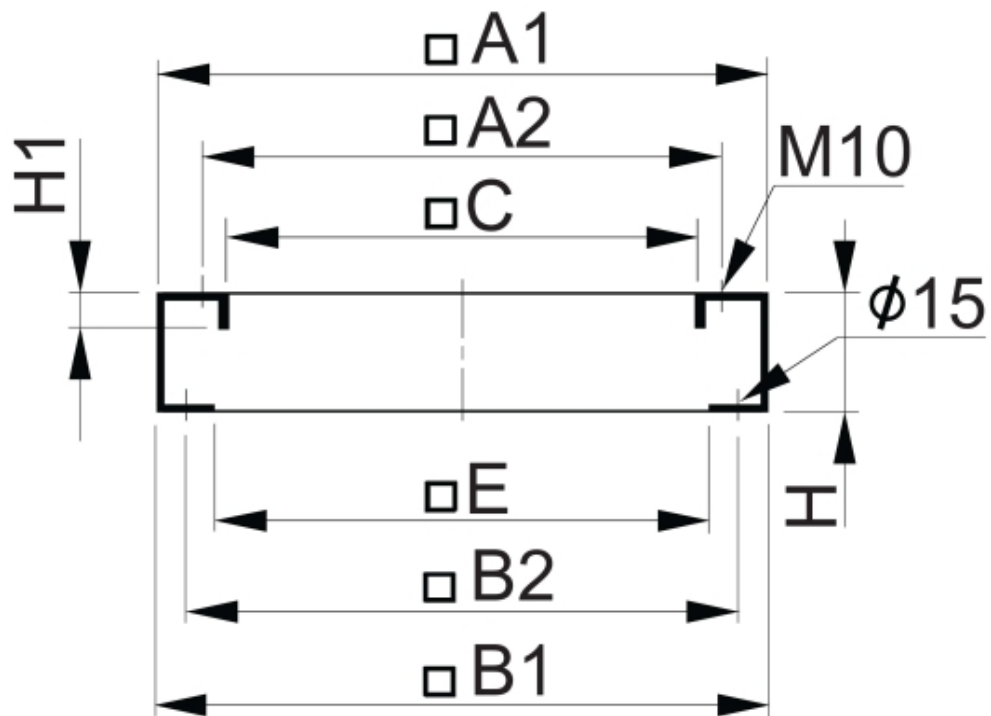
Call: [0845 6880112](tel:08456880112)
 Email: info@adremit.co.uk

Our Address

Puravent, Adremit Limited, Unit 5a, Commercial Yard,
Settle, North Yorkshire, BD24 9RH



Dimensions



	A1	A2	C	B2	E	H	H1
95585 Transition frame	648	535	538	600	548	70	15

Name: **TRF-DVV 560 TO DVG 400-450** | Item no.: **95589**

Document type: **Product card** | Document date: **2019-05-29** | Generated by: **Online catalogue**

2 / 2

Get In Touch

 Call: [0845 6880112](tel:08456880112)
 Email: info@adremit.co.uk

Our Address

Puravent, Adremit Limited, Unit 5a, Commercial Yard,
Settle, North Yorkshire, BD24 9RH