



# TOV 355-4 SILEO

Item no. 79385

Version: 50 Hz; 400V 3~



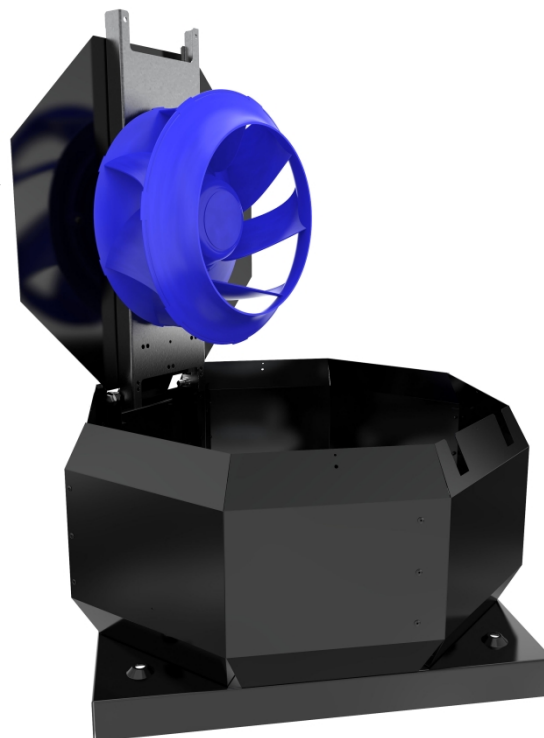
## Description

- Speed-controllable
- Integral thermal contacts
- Tilting mechanism on motor
- Maintenance-free and reliable
- Vertical exhaust

The TOE/TOV models have impellers with backward-curved blades and external rotor motors. The casing is manufactured in powder-coated galvanised sheet steel. These fans have motors which can be tilted outwards to facilitate inspection and servicing.

The motor is suspended on efficient vibration dampers. Exhaust air is directed vertically from the fans, which prevents problems caused by wet snow and staining of the roof.

To protect the motor from overheating, the TOE/TOV fans have integral thermal contacts with external leads for connection to a motor protection device.



## Technical parameters

Nominal data	
Voltage	400 V
Frequency	50 Hz
Phase	3 ~
Input power (P1)	285 W
Current	0,645 A
Max. airflow	0,772 m³/s
R.p.m.	1398 r.p.m.
Weight	25,2 kg
Temperature data	
Max. temperature of transported air	70 °C
Max. temperature of transported air when speed-controlled	70 °C

### Get In Touch

Call: [0845 6880112](tel:08456880112)  
 Email: [info@adremit.co.uk](mailto:info@adremit.co.uk)

### Our Address

Puravent, Adremit Limited, Unit 5a, Commercial Yard,  
 Settle, North Yorkshire, BD24 9RH



### Sound data

Sound pressure level at 4 m	48	dB(A)
Sound pressure level at 10 m	40	dB(A)

### Protection / Classification

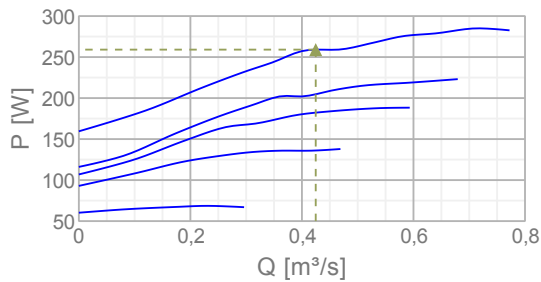
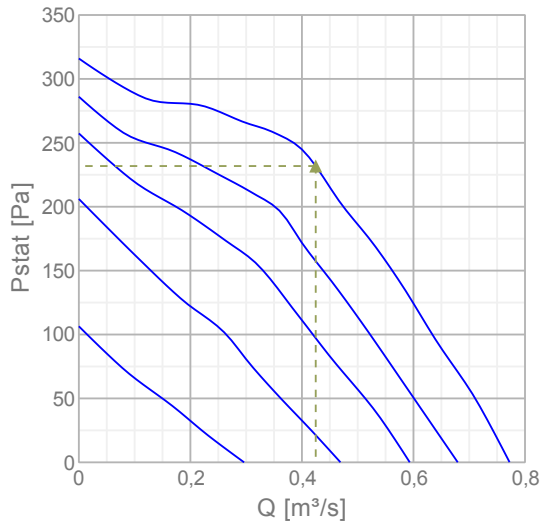
Insulation class	F
Enclosure class, motor	IP54

### ErP

ErP ready	ErP 2018
-----------	----------

## Diagrams

### Diagrams



### Max efficiency

#### Hydraulic data

▲ Working air flow	0,425	m³/s
▲ Working static pressure	232	Pa
▲ Power	259	W
Speed	1408	r.p.m.
Current	0,622	A
SFP	0,61	W/(l/s)
Voltage	400	V

Sound power level		63	125	250	500	1k	2k	4k	8k	Tot
Inlet	dB(A)	45	56	61	63	63	63	59	49	69
Outlet	dB(A)	45	56	62	65	66	64	58	49	71

Name: **TOV 355-4 SILEO** | Item no.: **79385** | Version: **50 Hz; 400V 3~**

Document type: **Product card** | Document date: **2019-06-04** | Generated by: **Online catalogue**

2 / 4

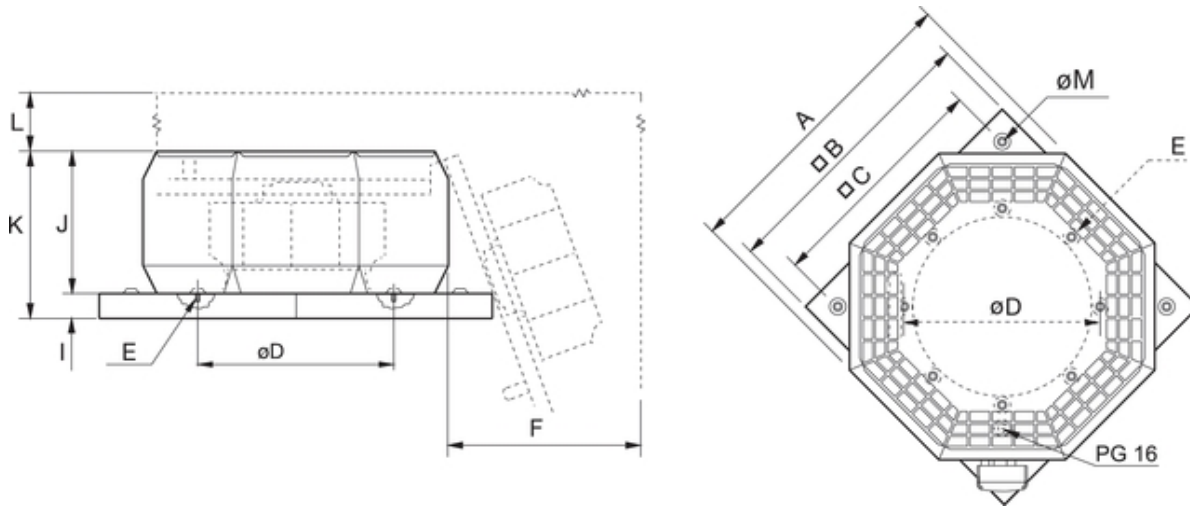
### Get In Touch

Call: [0845 6880112](tel:08456880112)  
 Email: [info@adremit.co.uk](mailto:info@adremit.co.uk)

### Our Address

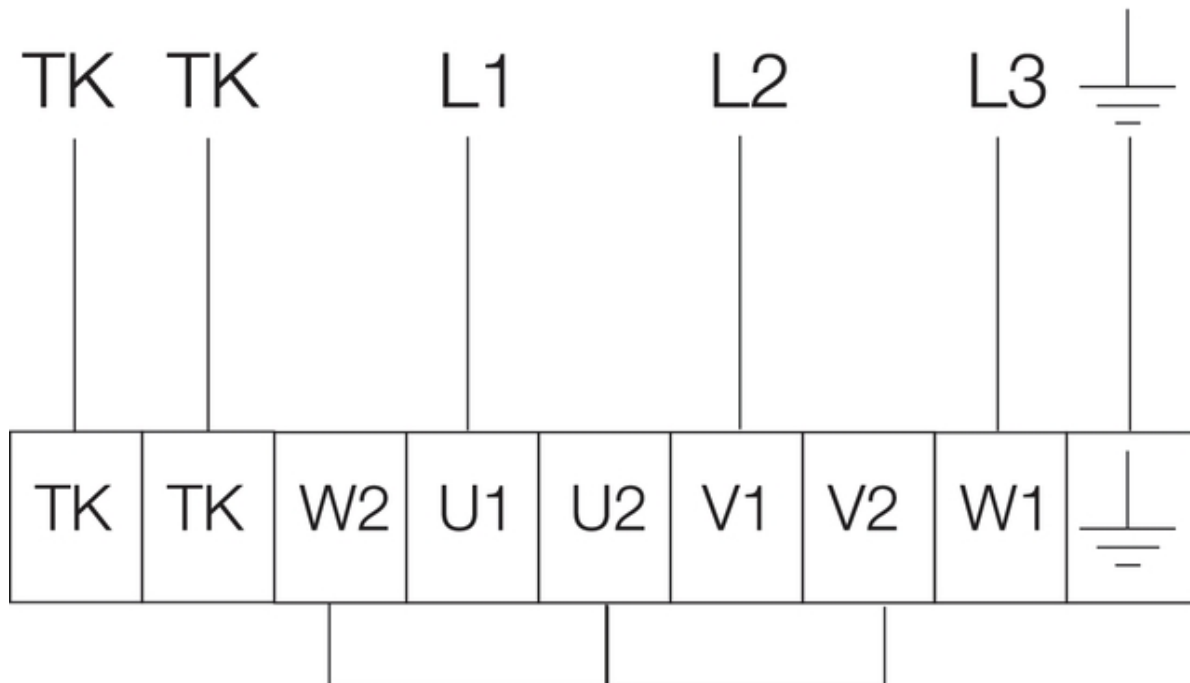
Puravent, Adremit Limited, Unit 5a, Commercial Yard,  
 Settle, North Yorkshire, BD24 9RH

## Dimensions



## Wiring

400V 3~



## Accessories

### Electric accessories

- [RTRD 2 Speed Cont. Systemair \(5941\)](#)
- [RTRDU 2 Speed contr. Systemair \(5945\)](#)
- [RT 0-30 Room Thermostat \(5151\)](#)
- [STDT 16 Motor Protection \(5152\)](#)
- [STDT 16E Motor Protection \(5153\)](#)
- [Presence detector/IR24-P \(6995\)](#)
- [DTV200 \(6261\)](#)
- [REV-5POL/07 ON/OFF \(33980\)](#)
- [PXDM 6A intern display \(18620\)](#)
- [DTV500A \(96807\)](#)

Name: **TOV 355-4 SILEO** | Item no.: **79385** | Version: **50 Hz; 400V 3~**

Document type: **Product card** | Document date: **2019-06-04** | Generated by: **Online catalogue**

3 / 4

### Get In Touch

 Call: [0845 6880112](tel:08456880112)  
 Email: [info@adremit.co.uk](mailto:info@adremit.co.uk)

### Our Address


Puravent, Adremit Limited, Unit 5a, Commercial Yard,  
 Settle, North Yorkshire, BD24 9RH



## Accessories

[BTG 540 Back Draft Damper \(5093\)](#)

## Documentation

 [202341\\_Fans\\_Instructions\\_CE\\_A010.pdf](#) (1,83MB)

### Get In Touch



Call: [0845 6880112](tel:08456880112)



Email: [info@adremit.co.uk](mailto:info@adremit.co.uk)

### Our Address

Puravent, Adremit Limited, Unit 5a, Commercial Yard,  
Settle, North Yorkshire, BD24 9RH