



## TOE 355-4 ROOF FAN

Item no. 47629

Version: 50 Hz

Document type: **Product card**

Document date: **2019-06-04**

Generated by: **Systemair Online Catalogue**



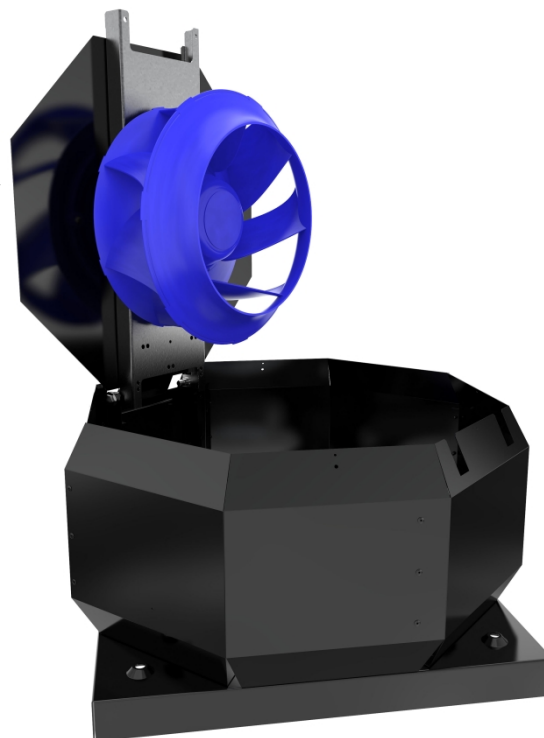
### Description

- Speed-controllable
- Integral thermal contacts
- Tilting mechanism on motor
- Maintenance-free and reliable
- Vertical exhaust

The TOE/TOV models have impellers with backward-curved blades and external rotor motors. The casing is manufactured in powder-coated galvanised sheet steel. These fans have motors which can be tilted outwards to facilitate inspection and servicing.

The motor is suspended on efficient vibration dampers. Exhaust air is directed vertically from the fans, which prevents problems caused by wet snow and staining of the roof.

To protect the motor from overheating, the TOE/TOV fans have integral thermal contacts with external leads for connection to a motor protection device.



### Technical parameters

| Nominal data  |       |                   |
|---|-------|-------------------|
| Voltage   | 230   | V                 |
| Frequency   | 50    | Hz                |
| Phase   | 1     | ~                 |
| Input power (P1)  | 321   | W                 |
| Current   | 1,72  | A                 |
| Max. airflow  | 0,735 | m <sup>3</sup> /s |
| R.p.m.  | 1416  | r.p.m.            |
| Capacitor   | 10    | µF                |
| Weight  | 25,2  | kg                |
| Temperature data  |       |                   |
| Max. temperature of transported air                       | 70    | °C                |
| Max. temperature of transported air when speed-controlled | 70    | °C                |

#### Get In Touch

Call: [0845 6880112](tel:08456880112)  
 Email: [info@adremit.co.uk](mailto:info@adremit.co.uk)

#### Our Address

Puravent, Adremit Limited, Unit 5a, Commercial Yard,  
 Settle, North Yorkshire, BD24 9RH



**Sound data**

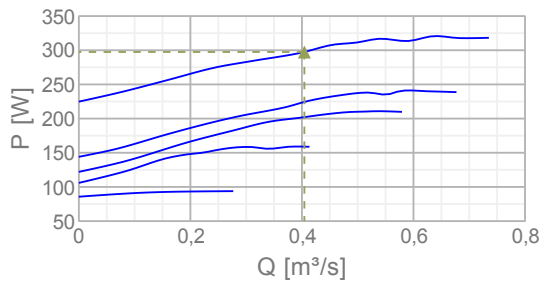
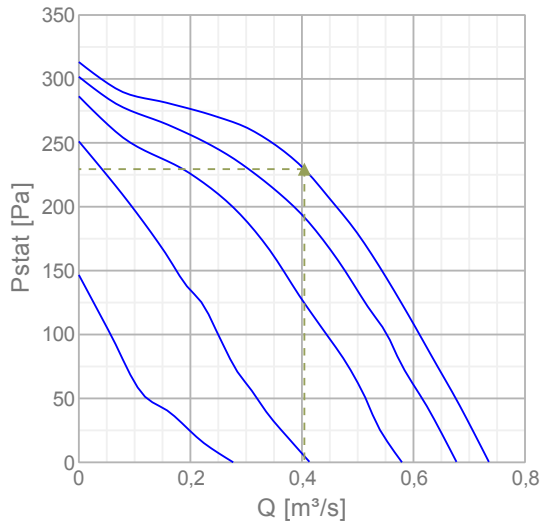
|                              |      |       |
|------------------------------|------|-------|
| Sound pressure level at 4 m  | 49,2 | dB(A) |
| Sound pressure level at 10 m | 41,2 | dB(A) |

**Protection / Classification**

|                        |      |
|------------------------|------|
| Insulation class       | F    |
| Enclosure class, motor | IP54 |

**ErP**

|           |          |
|-----------|----------|
| ErP ready | ErP 2018 |
|-----------|----------|

**Diagrams****Diagrams****Max efficiency****Hydraulic data**

|                           |       |         |
|---------------------------|-------|---------|
| ▲ Working air flow        | 0,404 | m³/s    |
| ▲ Working static pressure | 229   | Pa      |
| ▲ Power                   | 297   | W       |
| Speed                     | 1425  | r.p.m.  |
| Current                   | 1,63  | A       |
| SFP                       | 0,736 | W/(l/s) |
| Voltage                   | 230   | V       |

| Sound power level |       | 63 | 125 | 250 | 500 | 1k | 2k | 4k | 8k | Tot |
|-------------------|-------|----|-----|-----|-----|----|----|----|----|-----|
| Inlet             | dB(A) | 46 | 57  | 63  | 63  | 63 | 64 | 58 | 50 | 70  |
| Outlet            | dB(A) | 47 | 58  | 65  | 67  | 67 | 65 | 58 | 49 | 72  |

Name: **TOE 355-4 ROOF FAN** | Item no.: **47629** | Version: **50 Hz**

Document type: **Product card** | Document date: **2019-06-04** | Generated by: **Online catalogue**

2 / 5

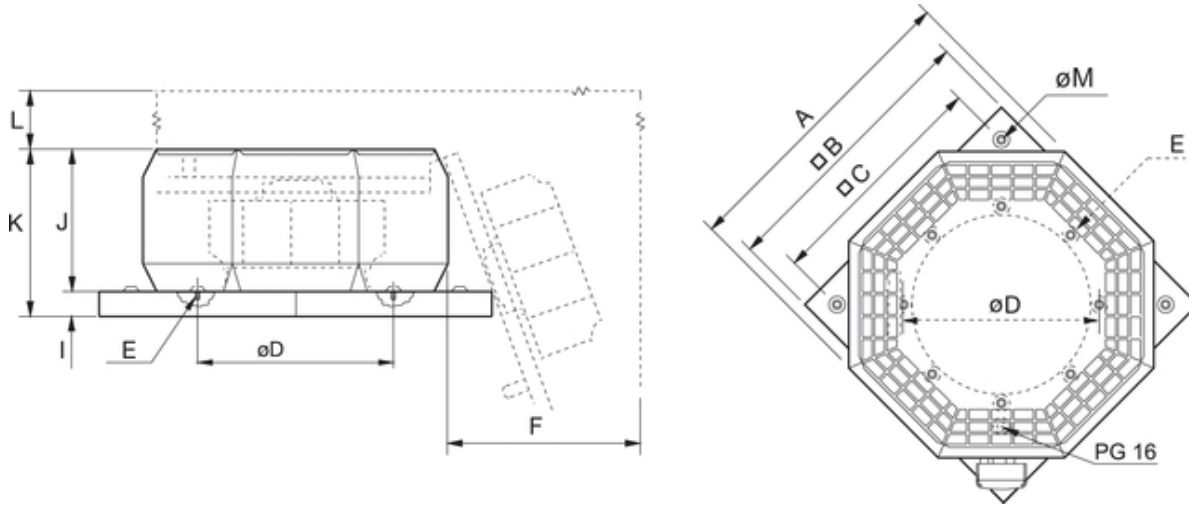
**Get In Touch**

Call: 0845 6880112  
 Email: [info@adremit.co.uk](mailto:info@adremit.co.uk)

**Our Address**

Puravent, Adremit Limited, Unit 5a, Commercial Yard,  
 Settle, North Yorkshire, BD24 9RH

## Dimensions



|               | A   | B   | C   | ØD  | E       | F   | I  | J   | K   | L   | ØM      |
|---------------|-----|-----|-----|-----|---------|-----|----|-----|-----|-----|---------|
| TOE_TOV 355-4 | 615 | 557 | 450 | 395 | M8 (8x) | 600 | 50 | 290 | 340 | 600 | 12 (4x) |

Name: **TOE 355-4 ROOF FAN** | Item no.: **47629** | Version: **50 Hz**

Document type: **Product card** | Document date: **2019-06-04** | Generated by: **Online catalogue**

3 / 5

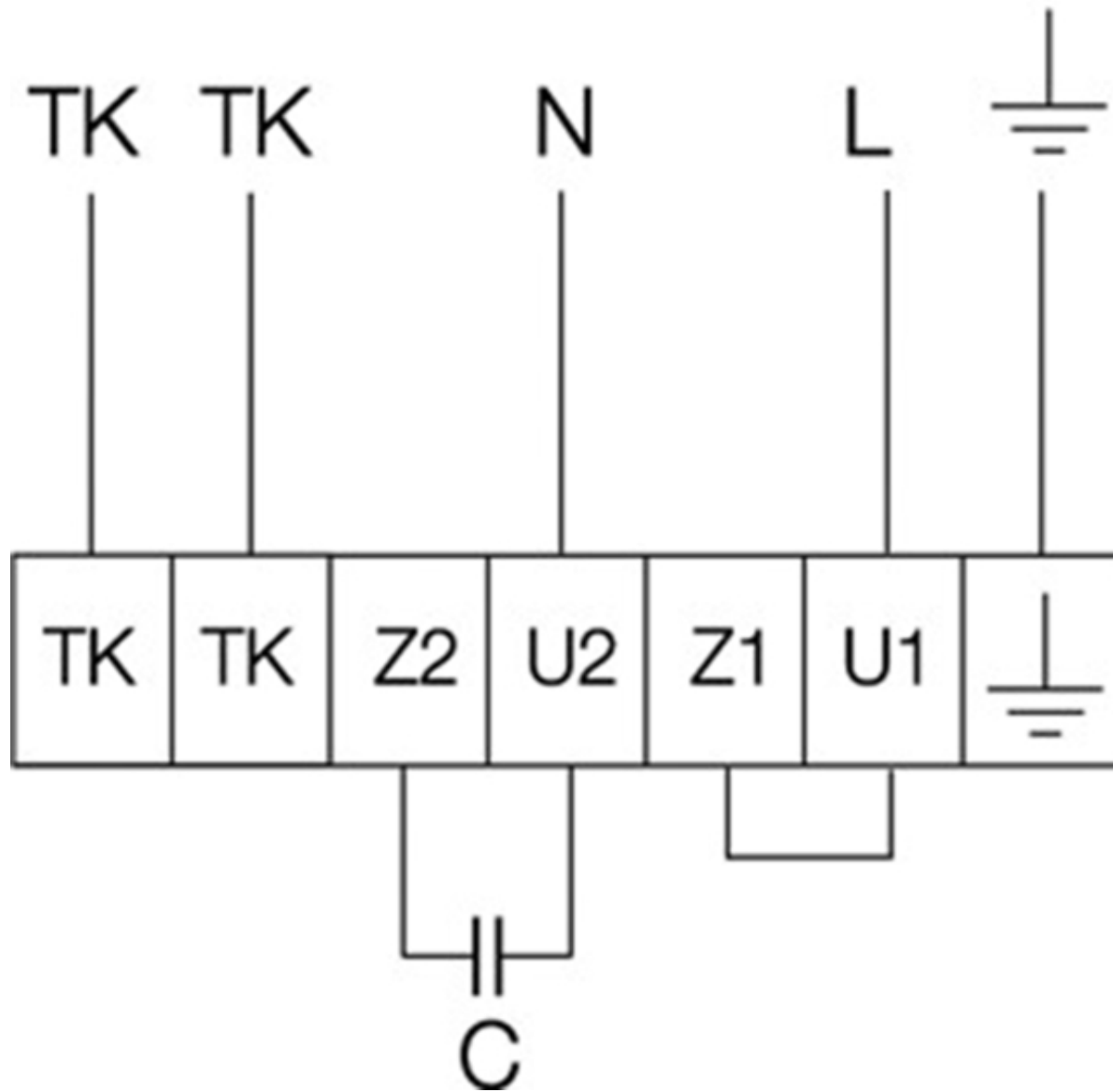
### Get In Touch

Call: [0845 6880112](tel:08456880112)  
 Email: [info@adremit.co.uk](mailto:info@adremit.co.uk)

### Our Address

Puravent, Adremit Limited, Unit 5a, Commercial Yard,  
 Settle, North Yorkshire, BD24 9RH

230V 1~



**Accessories**

**Electric accessories**

- [REU 3 Speed control \(5005\)](#)
- [RTRE 3 Speed control \(5009\)](#)
- [REE 4 Speed control \(5317\)](#)
- [REPT 6 Digital regulator \(5698\)](#)
- [RT 0-30 Room Thermostat \(5151\)](#)
- [S-ET 10 Motor Protection \(5154\)](#)
- [S-ET 10E Motor Protection \(5155\)](#)
- [CO2RT-R-D Transmitter \(6993\)](#)
- [Presence detector/IR24-P \(6995\)](#)
- [DTV200 \(6261\)](#)
- [STL 3 Speed controller \(84261\)](#)
- [REV-5POL/05 ON/OFF \(33979\)](#)
- [DTV500A \(96807\)](#)

**Get In Touch**

 **Call:** [0845 6880112](tel:08456880112)  
 **Email:** [info@adremit.co.uk](mailto:info@adremit.co.uk)

**Our Address**

Puravent, Adremit Limited, Unit 5a, Commercial Yard,  
 Settle, North Yorkshire, BD24 9RH

## Accessories

[TG 540-1230 Roof curb \(1726\)](#)

[TG 540-800 Roof curb \(1727\)](#)

[TG 540-800 A60 Roof Curb \(5086\)](#)

[BTG 540 Back Draft Damper \(5093\)](#)

## Documentation



202341\_Fans\_Instructions\_CE\_A010.pdf (1,83MB)

### Get In Touch



Call: [0845 6880112](tel:08456880112)



Email: [info@adremit.co.uk](mailto:info@adremit.co.uk)

### Our Address

Puravent, Adremit Limited, Unit 5a, Commercial Yard,  
Settle, North Yorkshire, BD24 9RH