



TOB 200-315 ROOF CURB BLACK

Item no. 134461

Document type: **Product card**
Document date: **2019-06-04**
Generated by: **Systemair Online Catalogue**

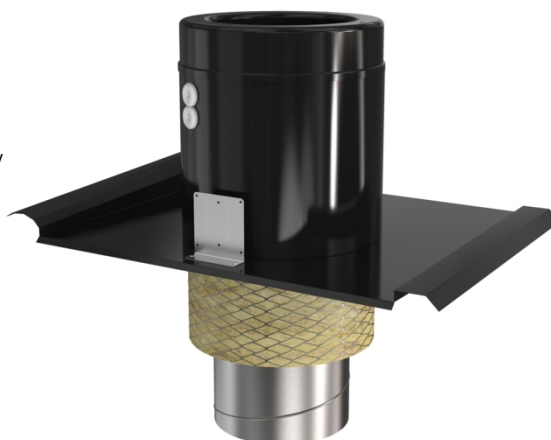
Description

Profiled covering plate

This covering plate is shaped like a roof tile so that it can be fitted on to a standard double-lap concrete roof tile (type TOB 125-160) or on to two single-lap roof tiles (TOB 200-315). It is fitted at right angles to the roof cladding and can therefore be used on different roof pitches.

The covering plate is manufactured from powder-coated galvanised sheet steel. They are available in the standard colours of black, brick red and also uncoated. The spiral duct connected to the cover is insulated with 30 mm mineral fibre. The roof fan TF SR is fastened to the profiling plate with 4 screws, these screws are included in TOB.

Earthed electrical connection and 3 m cable are included, as well as the TUB under-plate which is fitted on to the inside of the roof. This under-plate prevents water-damage via the roof aperture if there is leakage on the outside of the roof. The underplate should not be used if the roof is only covered with roofing felt.



Technical parameters

Other	
Weight	8 kg

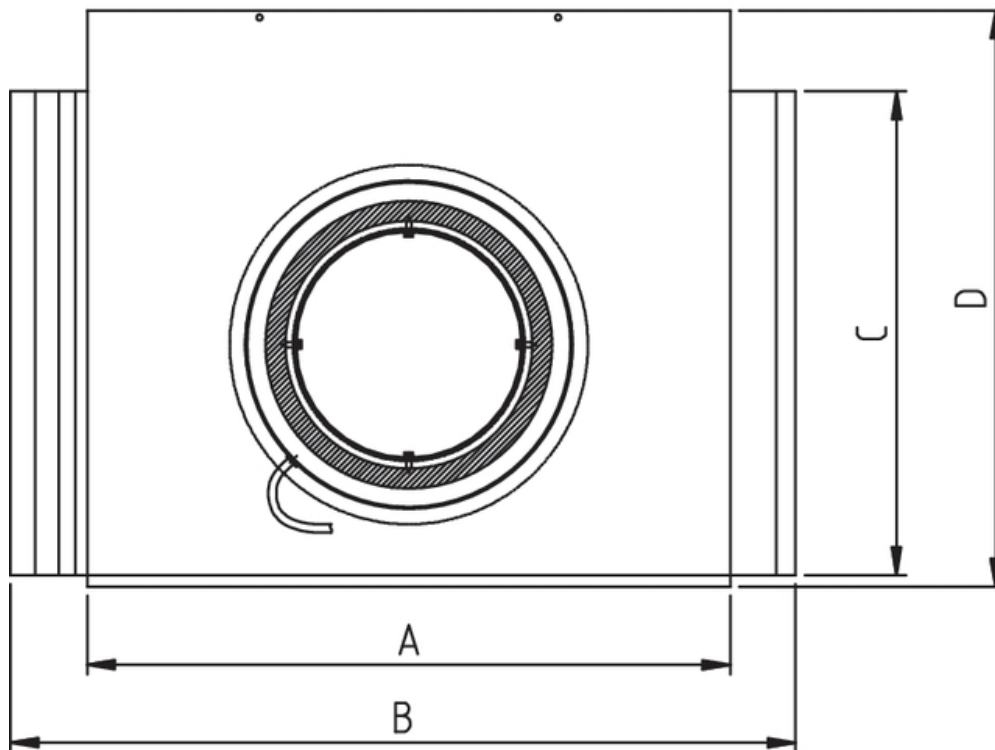
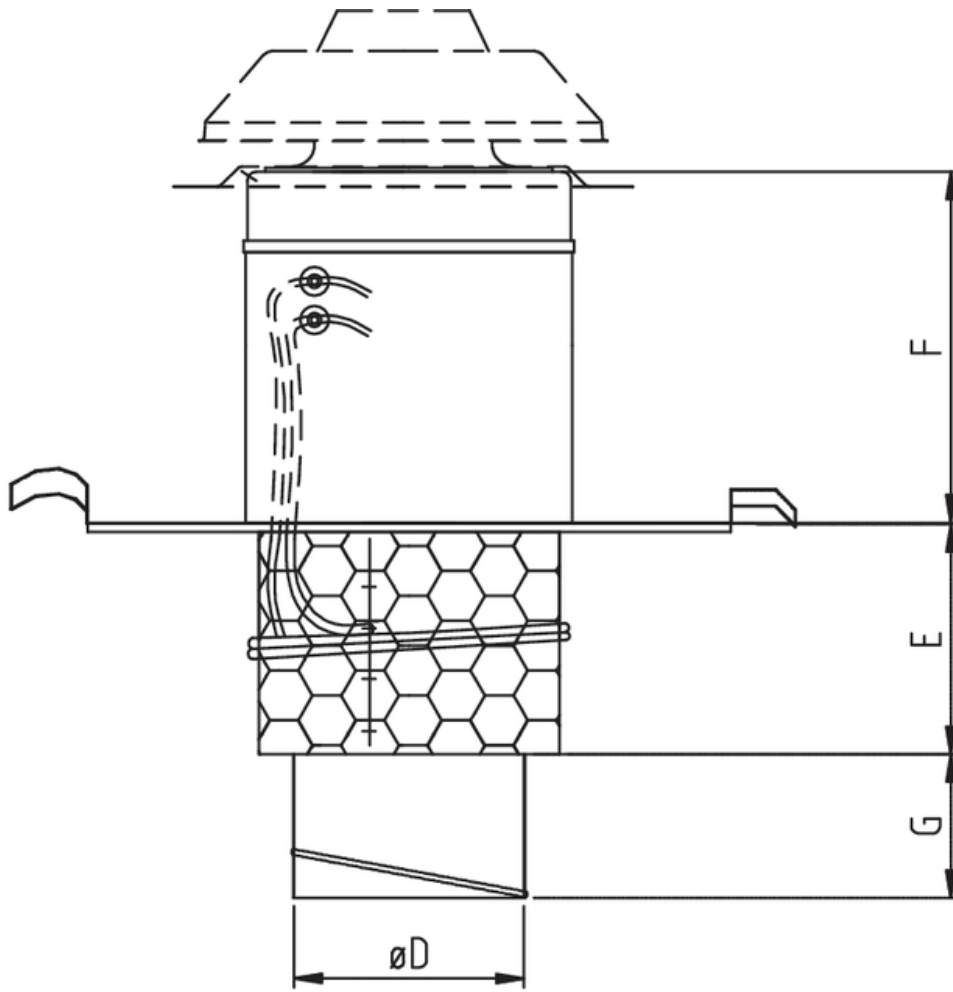
Get In Touch

Call: [0845 6880112](tel:08456880112)
 Email: info@adremit.co.uk

Our Address

Puravent, Adremit Limited, Unit 5a, Commercial Yard,
Settle, North Yorkshire, BD24 9RH

Dimensions



Name: **TOB 200-315 ROOF CURB BLACK** | Item no.: **134461**

Document type: **Product card** | Document date: **2019-06-04** | Generated by: **Online catalogue**

2 / 3

Get In Touch



Call: [0845 6880112](tel:08456880112)



Email: info@adremit.co.uk


Our Address

Puravent, Adremit Limited, Unit 5a, Commercial Yard,
Settle, North Yorkshire, BD24 9RH

TOB	A	B	C	D	E	F	G	øD
200-315	560	684	430	500	200	305	125	200

Accessories

Documentation

 TOB, TOS, THS, THB installation instruction_205815_CE_A002.pdf (1,15MB)

Specification text

Name: **TOB 200-315 ROOF CURB BLACK** | Item no.: **134461**

Document type: **Product card** | Document date: **2019-06-04** | Generated by: **Online catalogue**

3 / 3

Get In Touch



Call: [0845 6880112](tel:08456880112)



Email: info@adremit.co.uk

Our Address

Puravent, Adremit Limited, Unit 5a, Commercial Yard,
Settle, North Yorkshire, BD24 9RH