



## TG 400-800 ROOF CURB

Item no. 1718

Document type: **Product card**

Document date: **2019-06-05**

Generated by: **Systemair Online Catalogue**

### Description

Roof curb

The brackets make it easy to fit the roof curb to the roof pitch, and also function as a silencer. Manufactured from galvanised sheet steel and insulated with a 50 mm rockwool sheet and a perforated inner plate.

The roof curb is fitted with plastic piping and conduits for electric cables.



### Technical parameters

Weight

24 kg

### Accessories

#### Accessories

[STG Connectionp.200 TG400-800 \(1765\)](#)

[BTG 400 Back Draft Damper \(5092\)](#)

[STG Connectionp.125 TG 400-800 \(4053\)](#)

[STG Connectionp.160 TG 400-800 \(4054\)](#)

### Get In Touch



Call: [0845 6880112](tel:08456880112)



Email: [info@adremi.co.uk](mailto:info@adremi.co.uk)

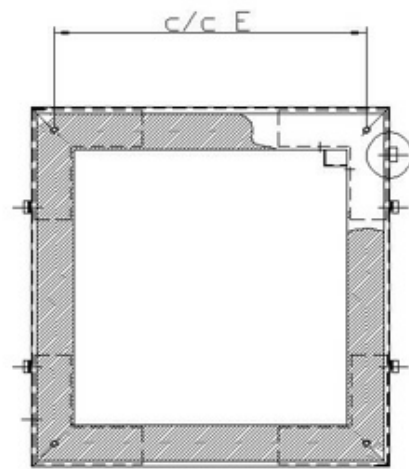
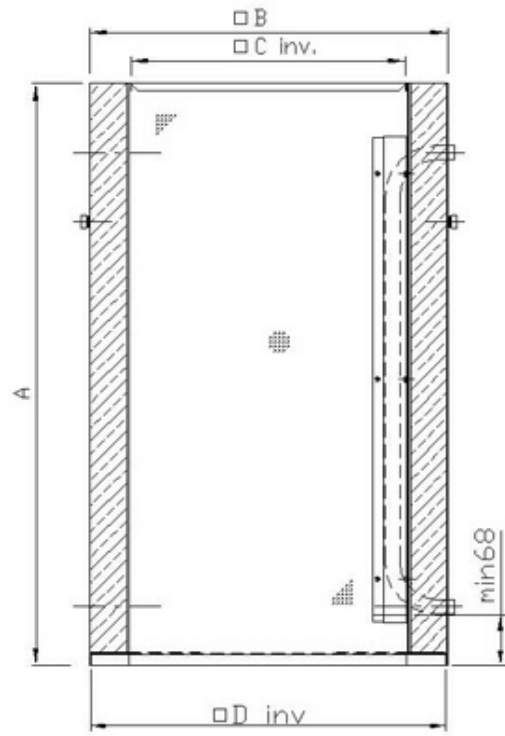
### Our Address

Puravent, Adremi Limited, Unit 5a, Commercial Yard,  
Settle, North Yorkshire, BD24 9RH

## Dimensions

	A	B	C	D	E
TG 300-800	800	293	183	289	245
TG 400-800	800	393	283	389	330

Hole measurement in roof = B+10 mm



## Acoustics

TG	Hz	ΔLA	63	125	250	500	1k	2k	4k	8k
300 - 800	dB	10	0	3	7	15	26	15	6	2
400 - 800	dB	9	1	3	7	13	19	10	3	2
540-800	dB	8	0	3	6	9	12	8	5	5
540-1230	dB	10	0	6	6	14	17	12	6	5
640-800	dB	5	1	2	4	7	8	6	4	4
640-1230	dB	8	0	4	4	12	15	8	5	5
740-1230	dB	7	0	3	4	10	13	7	4	4
940-1200	dB	6	0	3	4	8	9	6	4	4

## Specification text

Name: **TG 400-800 ROOF CURB** | Item no.: **1718**

Document type: **Product card** | Document date: **2019-06-05** | Generated by: **Online catalogue**

2 / 2

### Get In Touch

Call: [0845 6880112](tel:08456880112)  
 Email: [info@adremit.co.uk](mailto:info@adremit.co.uk)

### Our Address

Puravent, Adremit Limited, Unit 5a, Commercial Yard,  
 Settle, North Yorkshire, BD24 9RH