



## TFSR 315 SILEO RED

Item no. 27646

Version: 50 Hz

Document type: **Product card**

Document date: **2019-06-05**

Generated by: **Systemair Online Catalogue**



### Description

- Swing-out
- Speed-controllable
- Easy to install
- Reliable

The TFSR range consists of roof fans with circular connection and are fitted with a single-inlet centrifugal fan with backward-curved blades and external rotor motors. The motors can be tilted outwards to facilitate inspection and service. They have integral on/off switch and are supplied with 1 m cable for fast connection to the mains e.g. via the connection box on the roof curb TOB or TOS.

These fans are suitable for exhaust-air ventilation systems, e.g. single and multiple dwellings, offices and day nurseries. To protect the motors from overheating, all motors have an integral thermal contact with automatic reset. The fans are manufactured in powder-coated, galvanized sheet steel and are delivered in the standard colours of black or brick red.

TFSR is delivered with a spigot connection if the installation requires direct duct connection. TFSR 125-160 are delivered with a Ø 160 spigot and TFSR 200-315 with a Ø 200. The spigot is not pre-assembled to the fan.



### Technical parameters

| Nominal data  |       |        |
|---|-------|--------|
| Voltage   | 230   | V      |
| Frequency   | 50    | Hz     |
| Phase   | 1     | ~      |
| Input power (P1)  | 231   | W      |
| Current   | 1     | A      |
| Max. airflow  | 0,347 | m³/s   |
| R.p.m.  | 2785  | r.p.m. |
| Capacitor   | 5     | µF     |
| Weight  | 9,1   | kg     |
| Temperature data  |       |        |
| Max. temperature of transported air                       | 70    | °C     |
| Max. temperature of transported air when speed-controlled | 70    | °C     |
| Sound data  |       |        |
| Sound pressure level at 4 m                               | 51,9  | dB(A)  |
| Sound pressure level at 10 m                              | 43,9  | dB(A)  |

#### Get In Touch

Call: [0845 6880112](tel:08456880112)  
 Email: [info@adremit.co.uk](mailto:info@adremit.co.uk)

#### Our Address

Puravent, Adremit Limited, Unit 5a, Commercial Yard,  
 Settle, North Yorkshire, BD24 9RH

### Protection / Classification

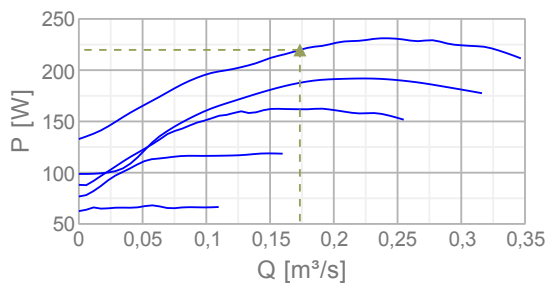
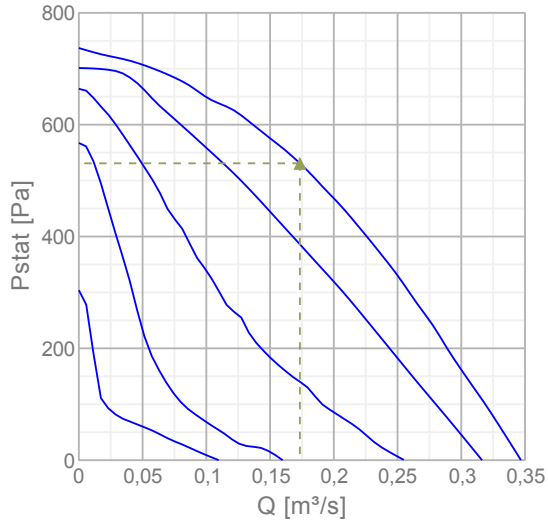
|                        |      |
|------------------------|------|
| Insulation class       | F    |
| Enclosure class, motor | IP44 |

### ErP

|           |          |
|-----------|----------|
| ErP ready | ErP 2018 |
|-----------|----------|

## Diagrams

### Diagrams



### Max efficiency

| Hydraulic data            |              |     |     |     |    |    |    |    |     |    |    |
|---------------------------|--------------|-----|-----|-----|----|----|----|----|-----|----|----|
| ▲ Working air flow        | 0,173 m³/s   |     |     |     |    |    |    |    |     |    |    |
| ▲ Working static pressure | 531 Pa       |     |     |     |    |    |    |    |     |    |    |
| ▲ Power                   | 220 W        |     |     |     |    |    |    |    |     |    |    |
| Speed                     | 2798 r.p.m.  |     |     |     |    |    |    |    |     |    |    |
| Current                   | 0,961 A      |     |     |     |    |    |    |    |     |    |    |
| SFP                       | 1,27 W/(l/s) |     |     |     |    |    |    |    |     |    |    |
| Voltage                   | 230 V        |     |     |     |    |    |    |    |     |    |    |
| Sound power level         | 63           | 125 | 250 | 500 | 1k | 2k | 4k | 8k | Tot |    |    |
| Inlet                     | dB(A)        |     | 57  | 63  | 66 | 68 | 68 | 67 | 63  | 57 | 74 |
| Outlet                    | dB(A)        |     | 39  | 54  | 60 | 67 | 71 | 70 | 62  | 58 | 75 |

Name: **TFSR 315 SILEO RED** | Item no.: **27646** | Version: **50 Hz**

Document type: **Product card** | Document date: **2019-06-05** | Generated by: **Online catalogue**

2 / 5

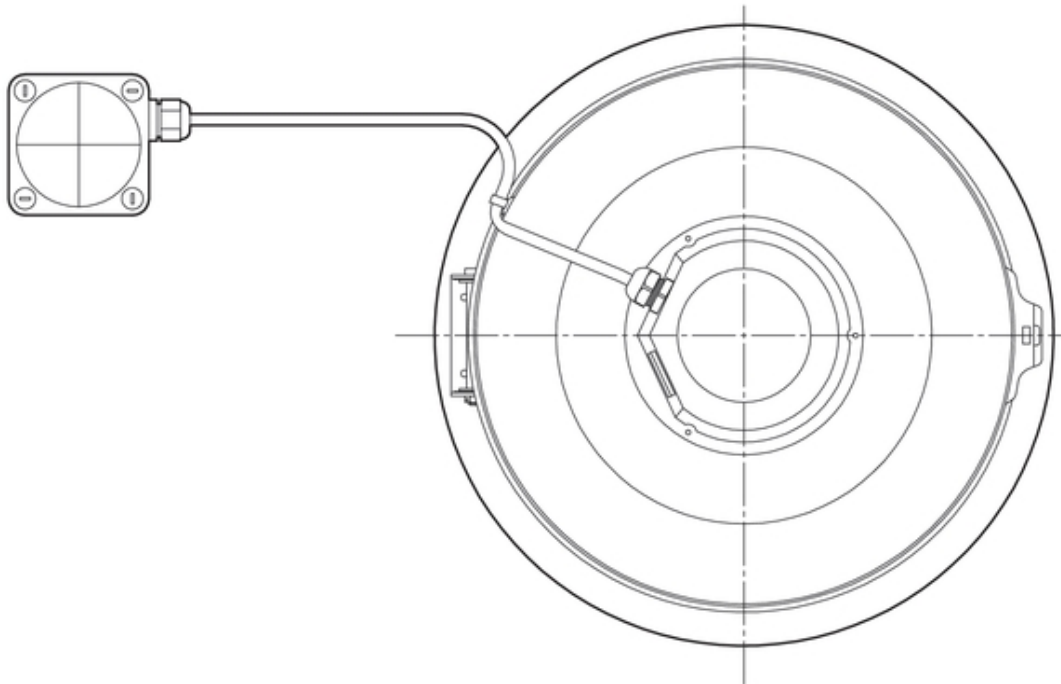
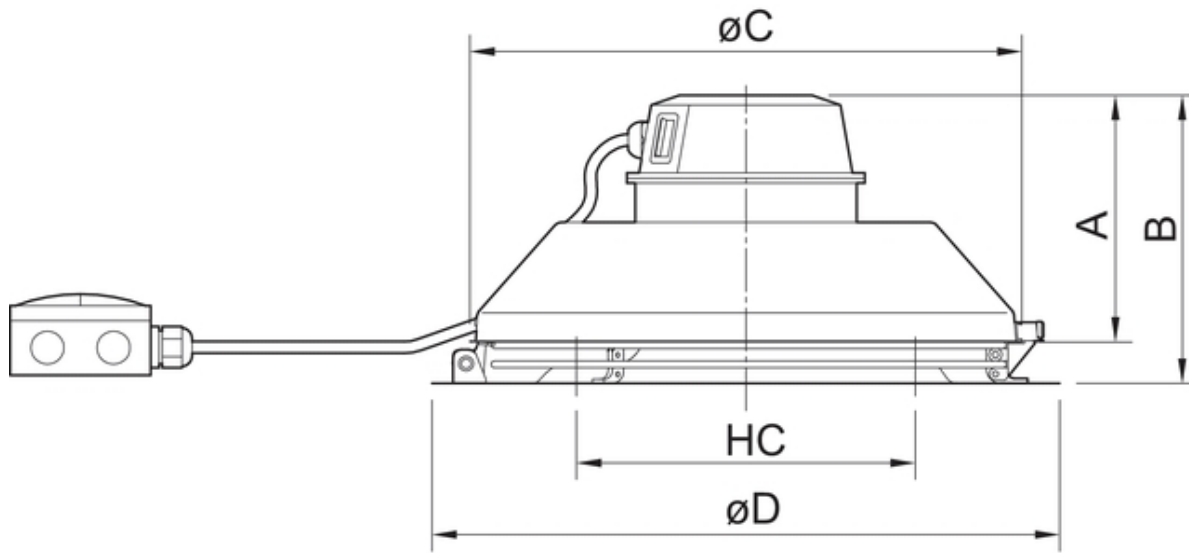
### Get In Touch

Call: [0845 6880112](tel:08456880112)  
 Email: [info@adremit.co.uk](mailto:info@adremit.co.uk)

### Our Address

Puravent, Adremit Limited, Unit 5a, Commercial Yard,  
 Settle, North Yorkshire, BD24 9RH



## Dimensions



| TF SR  | A   | B   | øC  | øD  | HC  |
|--------|-----|-----|-----|-----|-----|
| 315M/L | 160 | 206 | 404 | 485 | 250 |

HC = Hole diameter for fixing,  $\varnothing 6 \times 4$

### Get In Touch

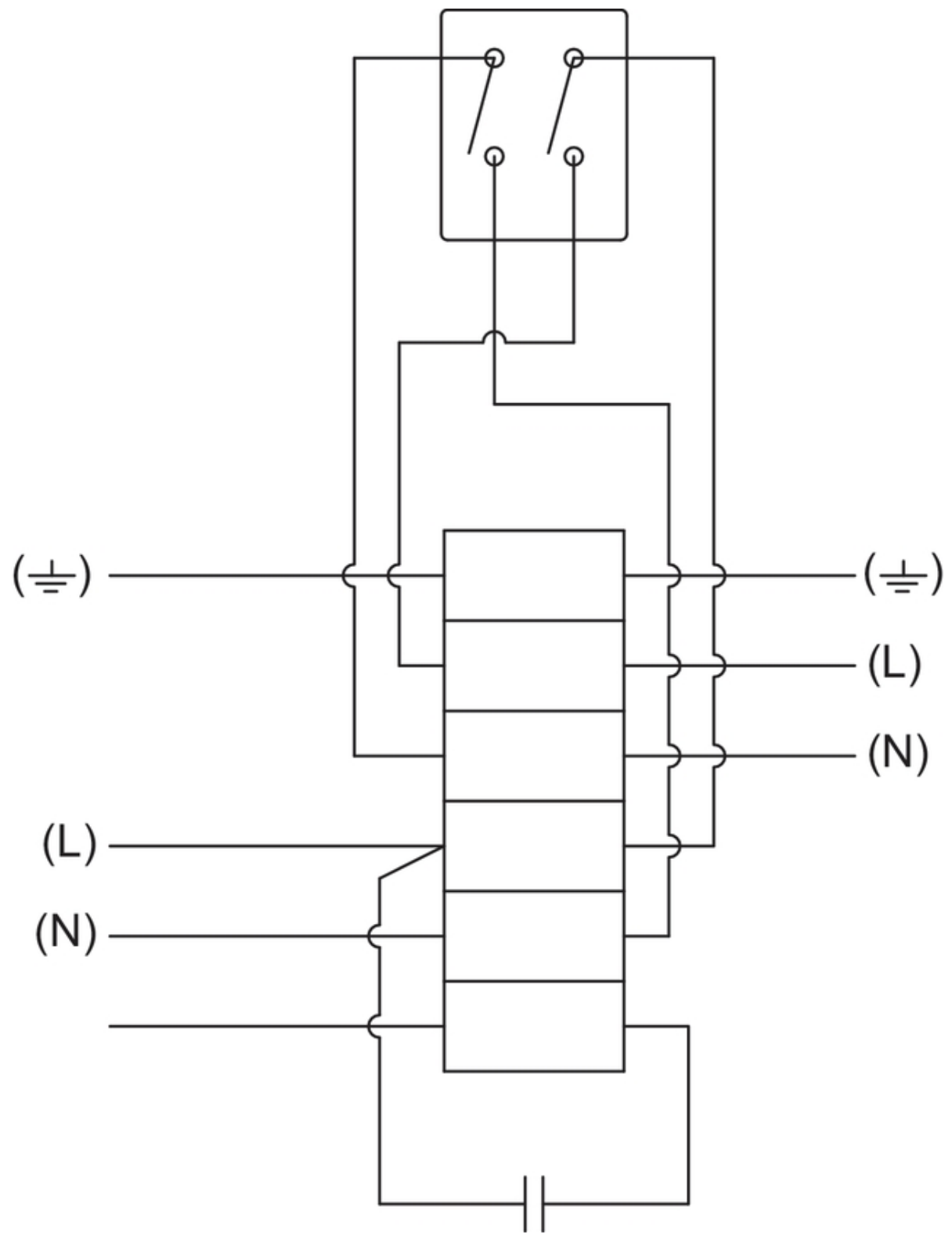
 Call: [0845 6880112](tel:08456880112)  
 Email: [info@adremit.co.uk](mailto:info@adremit.co.uk)

### Our Address

Puravent, Adremit Limited, Unit 5a, Commercial Yard,  
Settle, North Yorkshire, BD24 9RH



# Wiring



Name: **TFSR 315 SILEO RED** | Item no.: **27646** | Version: **50 Hz**  
Document type: **Product card** | Document date: **2019-06-05** | Generated by: **Online catalogue**



## Get In Touch

Call: [0845 6880112](tel:08456880112)  
 Email: [info@adremit.co.uk](mailto:info@adremit.co.uk)

## Our Address

Puravent, Adremit Limited, Unit 5a, Commercial Yard,  
Settle, North Yorkshire, BD24 9RH

## Accessories

### Electric accessories

[RE 1.5 Speed control \(5000\)](#)

[REU 1.5 Speed control \(5004\)](#)

[REE 2 Speed control \(5316\)](#)

[REPT 6 Digital regulator \(5698\)](#)

[RT 0-30 Room Thermostat \(5151\)](#)

[CO2RT-R-D Transmitter \(6993\)](#)

[Presence detector/IR24-P \(6995\)](#)

[F251-16-60 Cookerhood transf \(5931\)](#)

[RETP 6 Temp/Pressure regulator \(32293\)](#)

[MicroREX D21 Plus Time Switch \(17822\)](#)

### Accessories

[LDC 200-600 Silencer \(5194\)](#)

[LDC 200-900 Silencer \(5195\)](#)

[RSK-200 Back draft damper \(5602\)](#)

## Documentation



[202341\\_Fans\\_Instructions\\_CE\\_A010.pdf \(1,83MB\)](#)



[TFSR mounting instruction\\_205504 \\_A001.pdf \(286,94kB\)](#)



[Certificate S-mark TFSK\\_R 1309486\\_EN.pdf \(1,77MB\)](#)

## Specification text

Name: **TFSR 315 SILEO RED** | Item no.: **27646** | Version: **50 Hz**

Document type: **Product card** | Document date: **2019-06-05** | Generated by: **Online catalogue**

5 / 5

### Get In Touch



Call: [0845 6880112](tel:08456880112)



Email: [info@adremit.co.uk](mailto:info@adremit.co.uk)

### Our Address

Puravent, Adremit Limited, Unit 5a, Commercial Yard,  
Settle, North Yorkshire, BD24 9RH