



TFSR 315 SILEO BLACK

Item no. 27426

Version: 50 Hz

Document type: **Product card**

Document date: **2019-06-05**

Generated by: **Systemair Online Catalogue**



Description

- Swing-out
- Speed-controllable
- Easy to install
- Reliable

The TFSR range consists of roof fans with circular connection and are fitted with a single-inlet centrifugal fan with backward-curved blades and external rotor motors. The motors can be tilted outwards to facilitate inspection and service. They have integral on/off switch and are supplied with 1 m cable for fast connection to the mains e.g. via the connection box on the roof curb TOB or TOS.

These fans are suitable for exhaust-air ventilation systems, e.g. single and multiple dwellings, offices and day nurseries. To protect the motors from overheating, all motors have an integral thermal contact with automatic reset. The fans are manufactured in powder-coated, galvanized sheet steel and are delivered in the standard colours of black or brick red.

TFSR is delivered with a spigot connection if the installation requires direct duct connection. TFSR 125-160 are delivered with a Ø 160 spigot and TFSR 200-315 with a Ø 200. The spigot is not pre-assembled to the fan.



Technical parameters

Nominal data		
Voltage	230	V
Frequency	50	Hz
Phase	1	~
Input power (P1)	231	W
Current	1	A
Max. airflow	0,347	m³/s
R.p.m.	2785	r.p.m.
Capacitor	5	µF
Weight	9,1	kg
Temperature data		
Max. temperature of transported air	70	°C
Max. temperature of transported air when speed-controlled	70	°C
Sound data		
Sound pressure level at 4 m	51,9	dB(A)
Sound pressure level at 10 m	43,9	dB(A)

Get In Touch

Call: [0845 6880112](tel:08456880112)
 Email: info@adremit.co.uk

Our Address

Puravent, Adremit Limited, Unit 5a, Commercial Yard,
 Settle, North Yorkshire, BD24 9RH

Protection / Classification

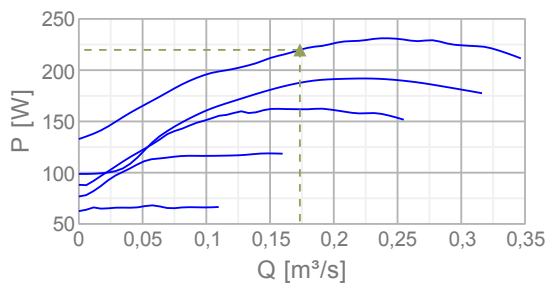
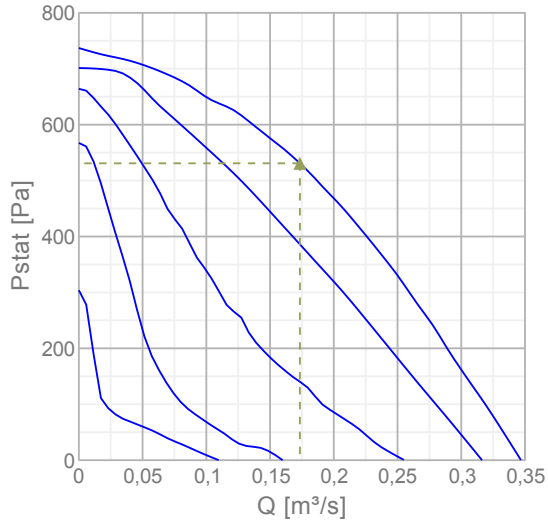
Insulation class	F
Enclosure class, motor	IP44

ErP

ErP ready	ErP 2018
-----------	----------

Diagrams

Diagrams



Max efficiency

Hydraulic data											
▲ Working air flow	0,173 m³/s										
▲ Working static pressure	531 Pa										
▲ Power	220 W										
Speed	2798 r.p.m.										
Current	0,961 A										
SFP	1,27 W/(l/s)										
Voltage	230 V										
Sound power level	63	125	250	500	1k	2k	4k	8k	Tot		
Inlet	dB(A)		57	63	66	68	68	67	63	57	74
Outlet	dB(A)		39	54	60	67	71	70	62	58	75

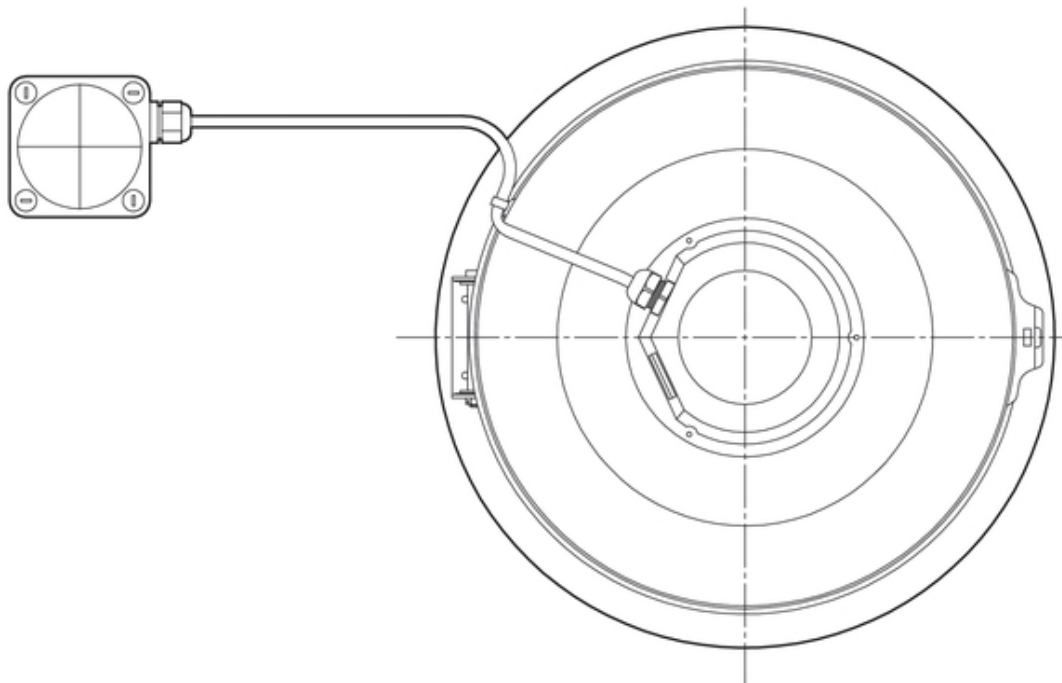
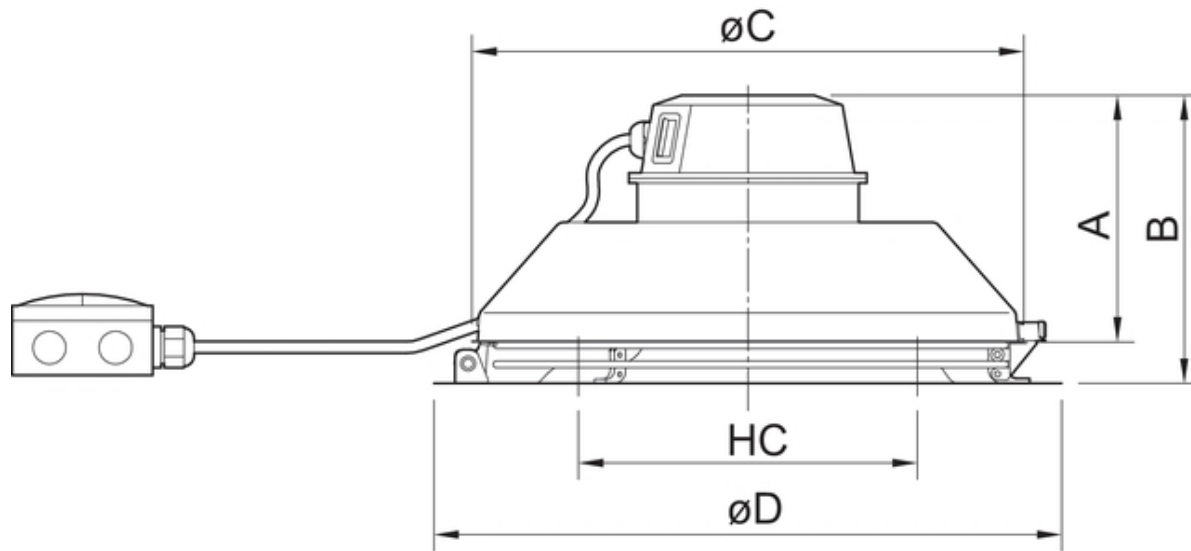
Get In Touch

Call: [0845 6880112](tel:08456880112)
 Email: info@adremit.co.uk

Our Address

Puravent, Adremit Limited, Unit 5a, Commercial Yard,
 Settle, North Yorkshire, BD24 9RH

Dimensions



TF SR	A	B	øC	øD	HC
315M/L	160	206	404	485	250

HC = Hole diameter for fixing, $\varnothing 6 \times 4$

Get In Touch

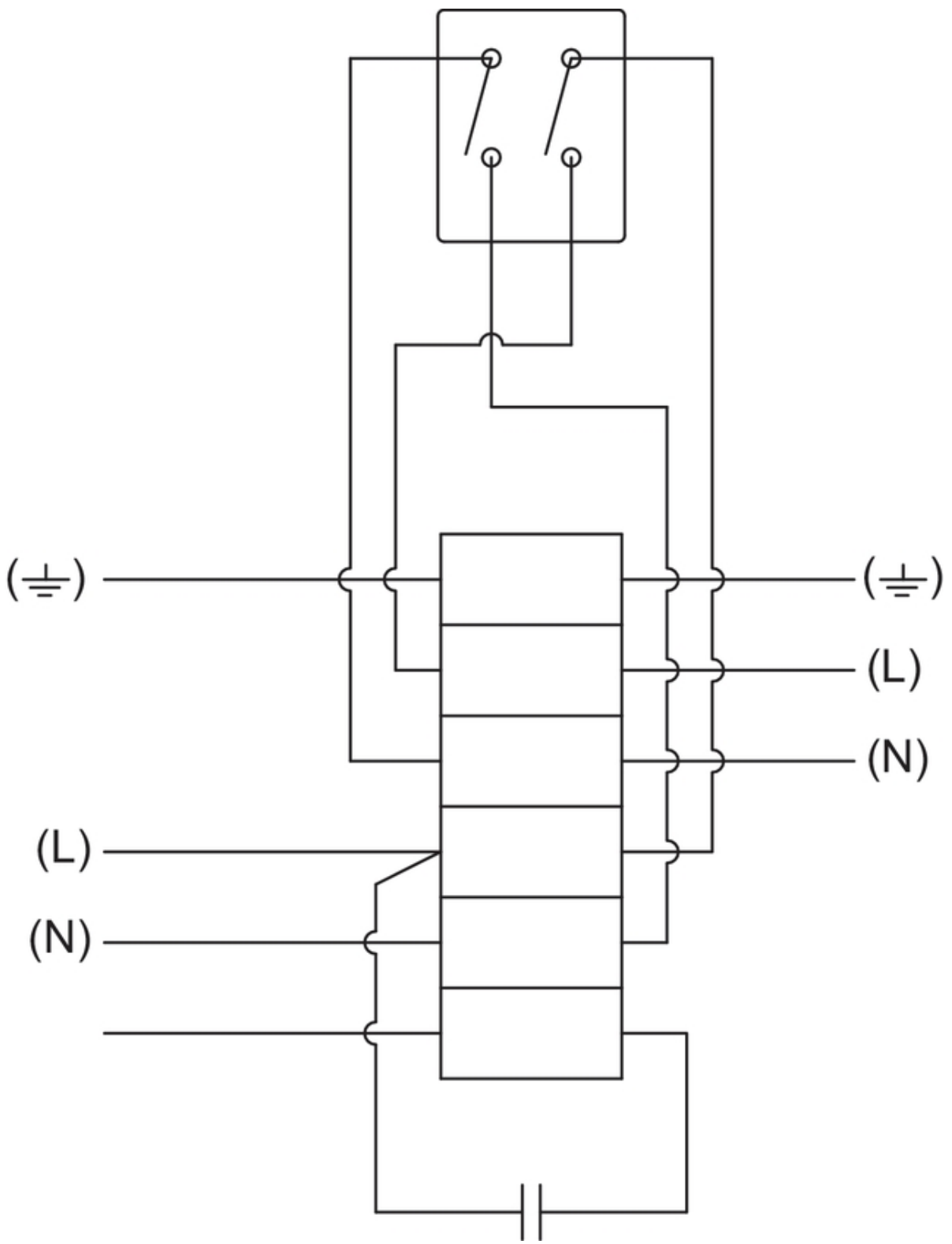
 Call: [0845 6880112](tel:08456880112)
 Email: info@adremit.co.uk

Our Address

Puravent, Adremit Limited, Unit 5a, Commercial Yard,
Settle, North Yorkshire, BD24 9RH



Wiring





Name: **TFSR 315 SILEO BLACK** | Item no.: **27426** | Version: **50 Hz**

4 / 5

Document type: **Product card** | Document date: **2019-06-05** | Generated by: **Online catalogue**

Get In Touch

 Call: [0845 6880112](tel:08456880112)
 Email: info@adremit.co.uk

Our Address

Puravent, Adremit Limited, Unit 5a, Commercial Yard,
Settle, North Yorkshire, BD24 9RH



Accessories

Electric accessories

[RE 1.5 Speed control \(5000\)](#)

[REU 1.5 Speed control \(5004\)](#)

[REE 2 Speed control \(5316\)](#)

[REPT 6 Digital regulator \(5698\)](#)

[RT 0-30 Room Thermostat \(5151\)](#)

[CO2RT-R-D Transmitter \(6993\)](#)

[Presence detector/IR24-P \(6995\)](#)

[RETP 6 Temp/Pressure regulator \(32293\)](#)

[MicroREX D21 Plus Time Switch \(17822\)](#)

Accessories

[LDC 200-600 Silencer \(5194\)](#)

[LDC 200-900 Silencer \(5195\)](#)

[RSK-200 Back draft damper \(5602\)](#)

[TOS 200-315 Roof curb Black \(134464\)](#)

[TOB 200-315 Roof curb Black \(134461\)](#)

Documentation



[202341_Fans_Instructions_CE_A010.pdf \(1,83MB\)](#)



[TFSR mounting instruction_205504 _A001.pdf \(286,94kB\)](#)



[Certificate S-mark TFSK_R 1309486_EN.pdf \(1,77MB\)](#)

Specification text

Name: **TFSR 315 SILEO BLACK** | Item no.: **27426** | Version: **50 Hz**

Document type: **Product card** | Document date: **2019-06-05** | Generated by: **Online catalogue**

5 / 5

Get In Touch



Call: [0845 6880112](tel:08456880112)



Email: info@adremit.co.uk

Our Address

Puravent, Adremit Limited, Unit 5a, Commercial Yard,
Settle, North Yorkshire, BD24 9RH