



TFSR 315 M BLACK**

Item no. 27765

Version: 50 Hz

Description

- Swing-out
- Speed-controllable
- Easy to install
- Reliable

The TFSR range consists of roof fans with a circular base plate and are fitted with a single-inlet centrifugal fan with backward-curved blades and external rotor motors. The motors can be tilted outwards to facilitate inspection and service. They have integral on/off switch and are supplied with 1 m cable for fast connection to the mains e.g. via the connection box on the roof curb TOB or TOS.

These fans are suitable for exhaust-air ventilation systems, e.g. single and multiple dwellings, offices and day nurseries. To protect the motors from overheating, all motors have an integral thermal contact with electrical reset. The casings are manufactured from galvanized steel, with powder-coating in black colour. TFSR 125-160 are delivered with a Ø 160 spigot and TFSR 200-315 with a Ø 200.

For cold climates we recommend that the fan runs continuously to avoid problems with ice.



Technical parameters

Nominal data	
Voltage	230 V
Frequency	50 Hz
Phase	1 ~
Input power (P1)	199 W
Current	0,879 A
Max. airflow	0,333 m³/s
R.p.m.	2505 r.p.m.
Capacitor	5 µF
Weight	8 kg
Temperature data	
Max. temperature of transported air	67,2 °C
Max. temperature of transported air when speed-controlled	60,3 °C
Sound data	
Sound pressure level at 10 m	43,1 dB(A)
Protection / Classification	
Insulation class	F
Enclosure class, motor	IP44
Default group	
Colour	Black

Get In Touch

Call: [0845 6880112](tel:08456880112)
 Email: info@adremit.co.uk

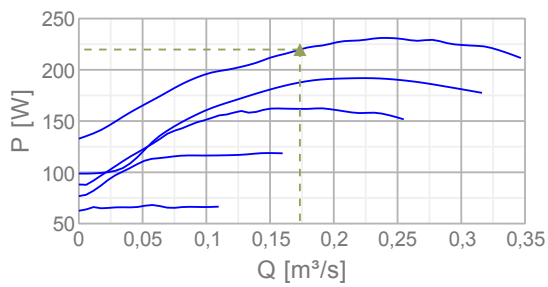
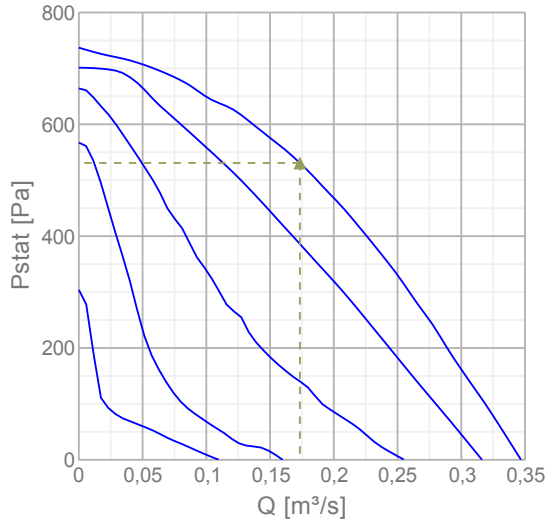
Our Address

Puravent, Adremit Limited, Unit 5a, Commercial Yard,
 Settle, North Yorkshire, BD24 9RH



Diagrams

Diagrams



Max efficiency

Hydraulic data										
▲ Working air flow	0,173 m³/s									
▲ Working static pressure	531 Pa									
▲ Power	220 W									
Speed	2798 r.p.m.									
Current	0,961 A									
SFP	1,27 W/(l/s)									
Voltage	230 V									
Sound power level		63	125	250	500	1k	2k	4k	8k	Tot
Inlet	dB(A)	57	63	66	68	68	67	63	57	74
Outlet	dB(A)	39	54	60	67	71	70	62	58	75

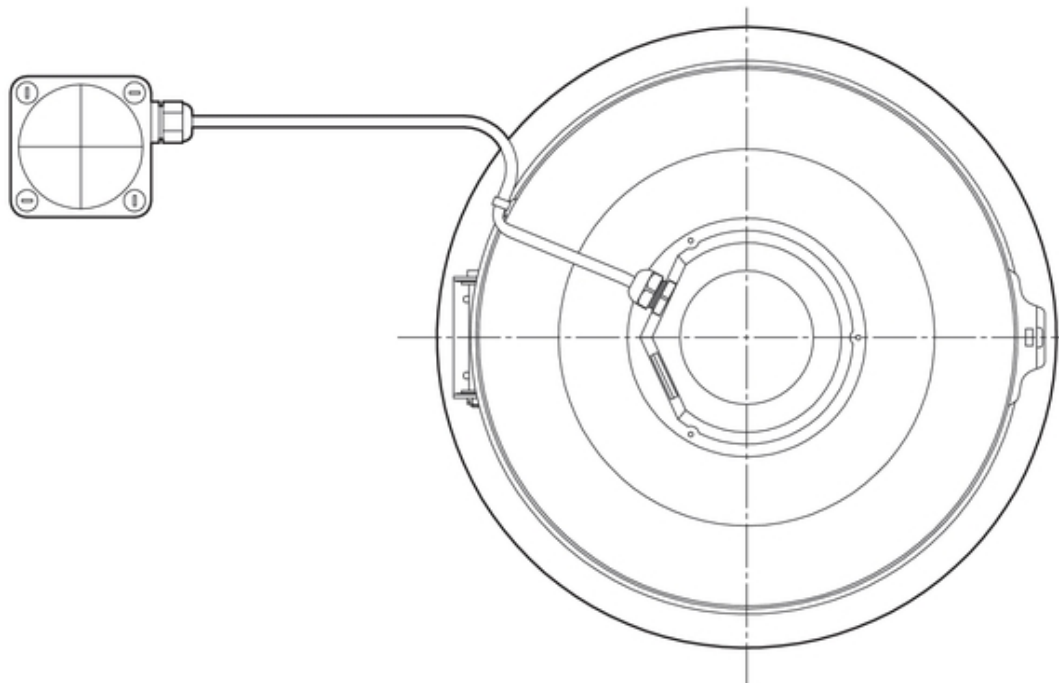
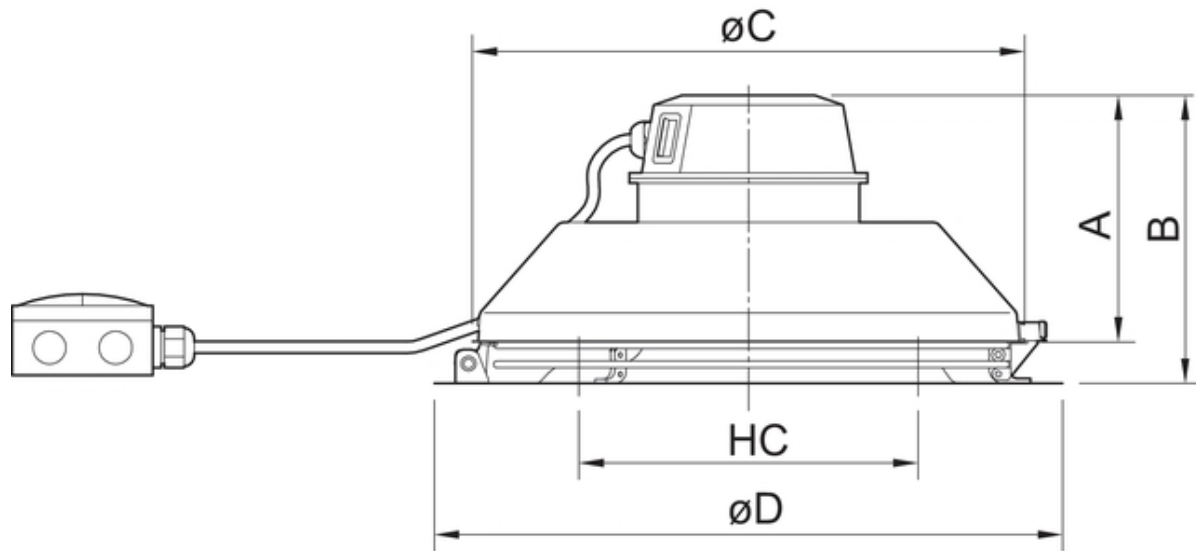
Get In Touch

 **Call:** [0845 6880112](tel:08456880112)
 **Email:** info@adremit.co.uk

Our Address

Puravent, Adremit Limited, Unit 5a, Commercial Yard,
Settle, North Yorkshire, BD24 9RH



Dimensions



TF SR	A	B	øC	øD	HC
315M/L	160	206	404	485	250

HC = Hole diameter for fixing, $\varnothing 6 \times 4$

Get In Touch

 Call: [0845 6880112](tel:08456880112)
 Email: info@adremit.co.uk

Our Address

Puravent, Adremit Limited, Unit 5a, Commercial Yard,
Settle, North Yorkshire, BD24 9RH

Accessories




Electric accessories

- [RE 1.5 Speed control \(5000\)](#)
- [REU 1.5 Speed control \(5004\)](#)
- [REE 1 Speed control \(5314\)](#)
- [REPT 6 Digital regulator \(5698\)](#)
- [RT 0-30 Room Thermostat \(5151\)](#)
- [CO2RT-R-D Transmitter \(6993\)](#)
- [Presence detector/IR24-P \(6995\)](#)
- [RETP 6 Temp/Pressure regulator \(32293\)](#)
- [STL 1.5 Speed controller \(84251\)](#)
- [MicroREX D21 Plus Time Switch \(17822\)](#)

Accessories

- [LDC 200-600 Silencer \(5194\)](#)
- [LDC 200-900 Silencer \(5195\)](#)
- [RSK-200 Back draft damper \(5602\)](#)
- [TOS 200-315 Roof curb Black \(134464\)](#)
- [TOB 200-315 Roof curb Black \(134461\)](#)

Documentation

-  [202341_Fans_Instructions_CE_A010.pdf \(1,83MB\)](#)
-  [TFSR mounting instruction_205504 _A001.pdf \(286,94kB\)](#)
-  [Certificate S-mark TFSK_R 1309486_EN.pdf \(1,77MB\)](#)

Specification text

Name: **TFSR 315 M BLACK**** | Item no.: **27765** | Version: **50 Hz**

Document type: **Product card** | Document date: **2019-06-05** | Generated by: **Online catalogue**

5 / 5

Get In Touch



Call: [0845 6880112](tel:08456880112)



Email: info@adremit.co.uk

Our Address

Puravent, Adremit Limited, Unit 5a, Commercial Yard,
Settle, North Yorkshire, BD24 9RH