



TFSK 315 L BLACK**

Item no. 19534

Document type: **Product card**
 Document date: **2019-06-05**
 Generated by: **Systemair Online Catalogue**

Description

- Swing-out
- Speed-controllable
- Easy to install
- Reliable

The TFSK range consists of roof fans with square connection and are fitted with a single-inlet centrifugal fan with backward-curved blades and external rotor motors. The motors can be tilted outwards to facilitate inspection and service. They have integral on/off switch and are supplied with 1 m cable and are easy connected to our standard roof curbs TG, FDS and SSD.

These fans are suitable for exhaust-air ventilation systems, e.g. single and multiple dwellings, offices and day nurseries. To protect the motors from overheating, all motors have an integral thermal contact with automatic reset. The fans are manufactured in powder-coated, galvanized sheet steel and are delivered in the standard colours of black or brick red.



Technical parameters

| Nominal data | | |
|---|-------|--------|
| Voltage | 230 | V |
| Frequency | 50 | Hz |
| Phase | 1 | ~ |
| Input power (P1) | 329 | W |
| Current | 1,43 | A |
| Max. airflow | 0,444 | m³/s |
| R.p.m. | 2401 | r.p.m. |
| Capacitor | 8 | µF |
| Weight | 10,7 | kg |
| Temperature data | | |
| Max. temperature of transported air | 42,2 | °C |
| Max. temperature of transported air when speed-controlled | 38 | °C |
| Sound data | | |
| Sound pressure level at 10 m | 53 | dB(A) |
| Protection / Classification | | |
| Insulation class | F | |
| Enclosure class, motor | IP44 | |
| Default group | | |
| Sound pressure level at 3 m | 77 | dB(A) |

Get In Touch

Call: [0845 6880112](tel:08456880112)
 Email: info@adremit.co.uk

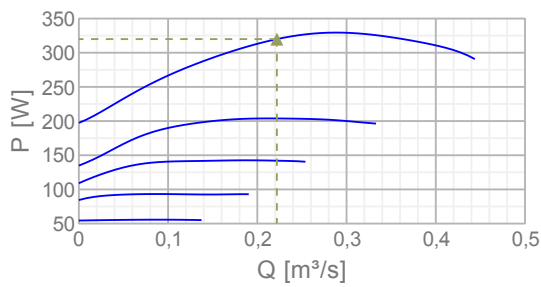
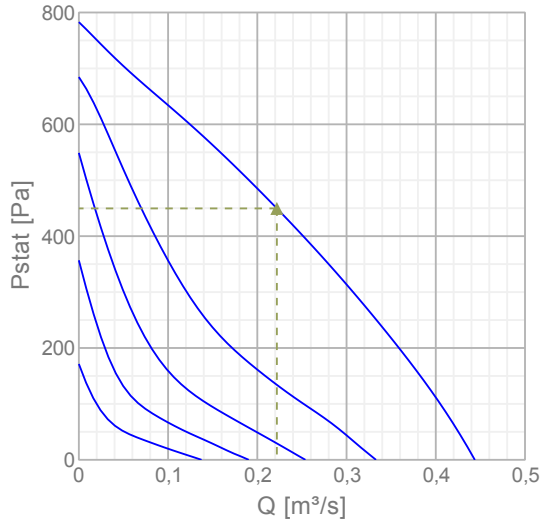
Our Address

Puravent, Adremit Limited, Unit 5a, Commercial Yard,
 Settle, North Yorkshire, BD24 9RH



Diagrams

Diagrams



Max efficiency

| Hydraulic data | | | | | | | | | | |
|---------------------------|-------|----|-----|-----|-----|----|----|----|----|--------------|
| ▲ Working air flow | | | | | | | | | | 0,222 m³/s |
| ▲ Working static pressure | | | | | | | | | | 450 Pa |
| ▲ Power | | | | | | | | | | 320 W |
| Speed | | | | | | | | | | 2432 r.p.m. |
| Current | | | | | | | | | | 1,39 A |
| SFP | | | | | | | | | | 1,44 W/(l/s) |
| Voltage | | | | | | | | | | 230 V |
| Sound power level | | 63 | 125 | 250 | 500 | 1k | 2k | 4k | 8k | Tot |
| Inlet | dB(A) | 51 | 70 | 68 | 75 | 71 | 67 | 63 | 54 | 78 |
| Outlet | dB(A) | 37 | 62 | 65 | 82 | 79 | 73 | 64 | 57 | 84 |

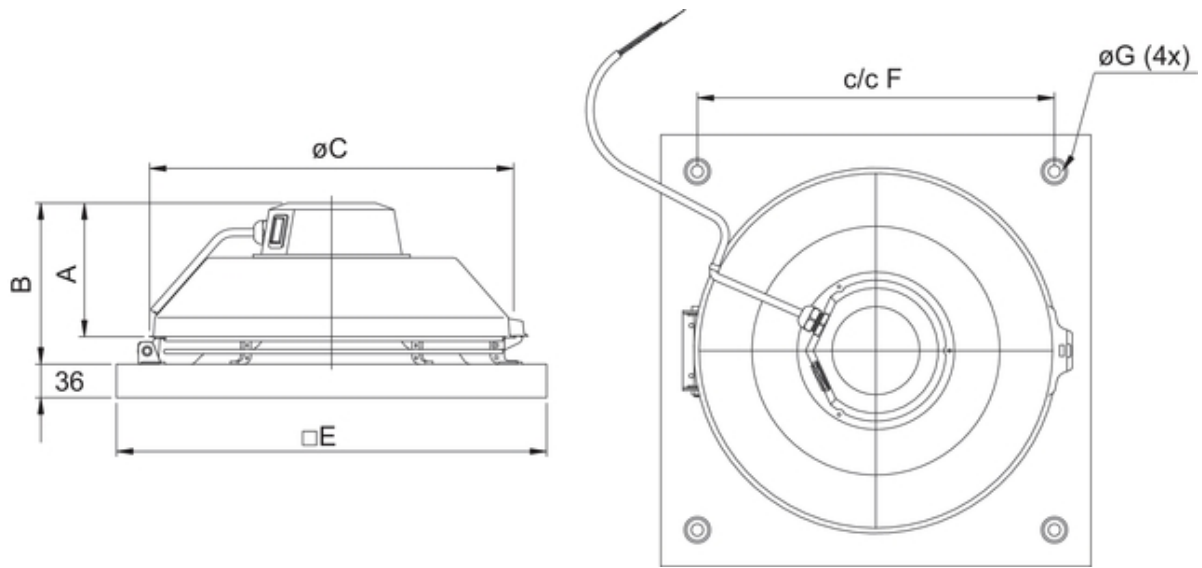
Get In Touch

 Call: [0845 6880112](tel:08456880112)
 Email: info@adremit.co.uk

Our Address

Puravent, Adremit Limited, Unit 5a, Commercial Yard, Settle, North Yorkshire, BD24 9RH

Dimensions



| TFSK | A | B | øC | □E | c/c F | øG |
|--------|-----|-----|-----|-----|-------|----|
| 315M/L | 160 | 206 | 404 | 521 | 450 | 11 |

Get In Touch



Call: [0845 6880112](tel:08456880112)



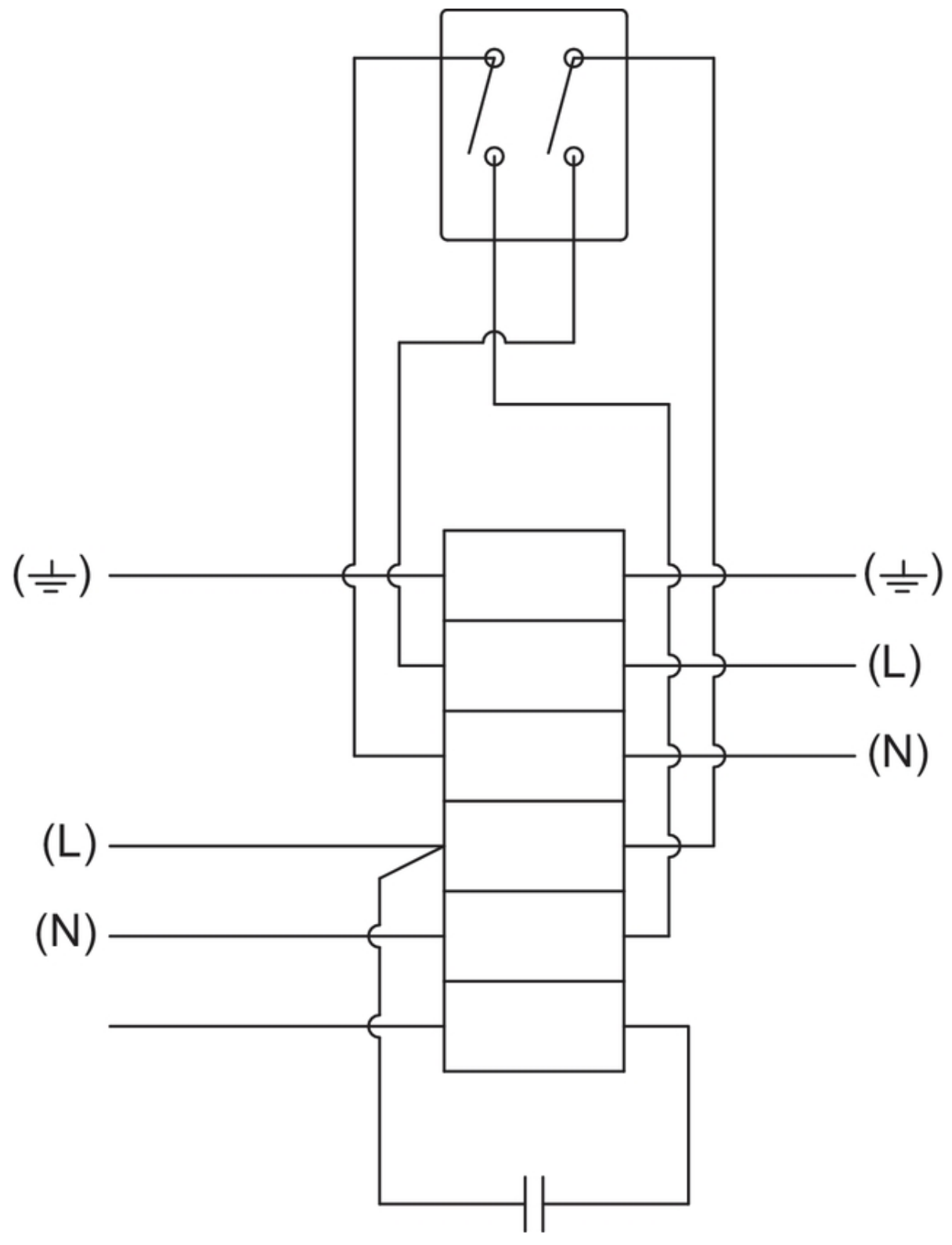
Email: info@adremit.co.uk

Our Address

Puravent, Adremit Limited, Unit 5a, Commercial Yard,
Settle, North Yorkshire, BD24 9RH



Wiring





Name: **TFSK 315 L BLACK**** | Item no.: **19534**

4 / 5

Document type: **Product card** | Document date: **2019-06-05** | Generated by: **Online catalogue**

Get In Touch

 Call: [0845 6880112](tel:08456880112)
 Email: info@adremit.co.uk

Our Address

Puravent, Adremit Limited, Unit 5a, Commercial Yard,
Settle, North Yorkshire, BD24 9RH



Accessories

Electric accessories

[RE 1.5 Speed control \(5000\)](#)
[REU 1.5 Speed control \(5004\)](#)
[REE 2 Speed control \(5316\)](#)
[REPT 6 Digital regulator \(5698\)](#)
[RT 0-30 Room Thermostat \(5151\)](#)
[CO2RT-R-D Transmitter \(6993\)](#)
[Presence detector/IR24-P \(6995\)](#)
[F251-16-60 Cookerhood transf \(5931\)](#)
[DTV200 \(6261\)](#)
[STL 3 Speed controller \(84261\)](#)
[MicroREX D21 Plus Time Switch \(17822\)](#)
[DTV500A \(96807\)](#)

Accessories

[LDC 200-600 Silencer \(5194\)](#)
[LDC 200-900 Silencer \(5195\)](#)
[TG 540-1230 Roof curb \(1726\)](#)
[TG 540-800 Roof curb \(1727\)](#)
[BTG 540 Back Draft Damper \(5093\)](#)
[RSK-200 Back draft damper \(5602\)](#)
[VKS 310/311 Back draft damper \(9543\)](#)
[VKM 310/311 Back draft damper \(9555\)](#)
[ASF 310/311 inlet flange DVS \(9568\)](#)
[ASS 310/311 flex. inl.con. DVS \(9575\)](#)
[FDS 315 M/LTFSK flat r. so. \(30010\)](#)
[SSD 315 M/L TFSK Socket sil. \(30086\)](#)
[ASK 315M/L TFSK for SSD 315 \(309229\)](#)
[TDA DV 315 Adapter TFSK \(309230\)](#)
[FDS-L 315 M/LTFSK flat r. so. \(95280\)](#)

Documentation



[132780_Fans_Instructions_Outside_EU_A002.pdf \(1 006,63kB\)](#)



[Certificate S-mark TFSK_R 1309486_EN.pdf \(1,77MB\)](#)

Specification text

Get In Touch



Call: [0845 6880112](tel:08456880112)



Email: info@adremit.co.uk

Our Address

Puravent, Adremit Limited, Unit 5a, Commercial Yard,
Settle, North Yorkshire, BD24 9RH