



TFF 200 SUPPL VALVE RAL9010

Item no. 6093

Document type: **Product card**
Document date: **2019-06-11**
Generated by: **Systemair Online Catalogue**

Description

The Systemair TFF circular supply diffuser. This diffuser has a shielding device for producing a directional (180°) distribution pattern and has an adjustable gap.

Function

The TFF is a circular supply diffuser for ceiling installation. The TFF consists of an inlet cone and diffuser unit containing sound-absorbent material. The technical specifications of the diffuser unit give it a wide range of applications. By rotating diffuser unit, the throw and pressure drop can be adjusted steplessly. Both concentric and eccentric distribution patterns can be selected by using the shielding device provided.

Design

The TFF is manufactured from sheet steel with a white powder-coated finish (RAL 9010-80) and is available in the following diameters: ø 80, ø 100, ø 125, ø 150, ø 160 and ø 200.

How to use for exhaust air

This device can be used for exhaust air.

Mounting

The TFF is easily fitted, either into the mounting frame or directly onto the duct using its friction springs. If the TFF is fitted to a PER plenum box, there must be a straight length, 4 times the duct's diameter, in front of the PER plenum box.

Air deflector for screening of direction up to 180 degree.



Technical details can be found [here](#)

Technical parameters

| Other | |
|--------|---------|
| Weight | 0,72 kg |

Get In Touch

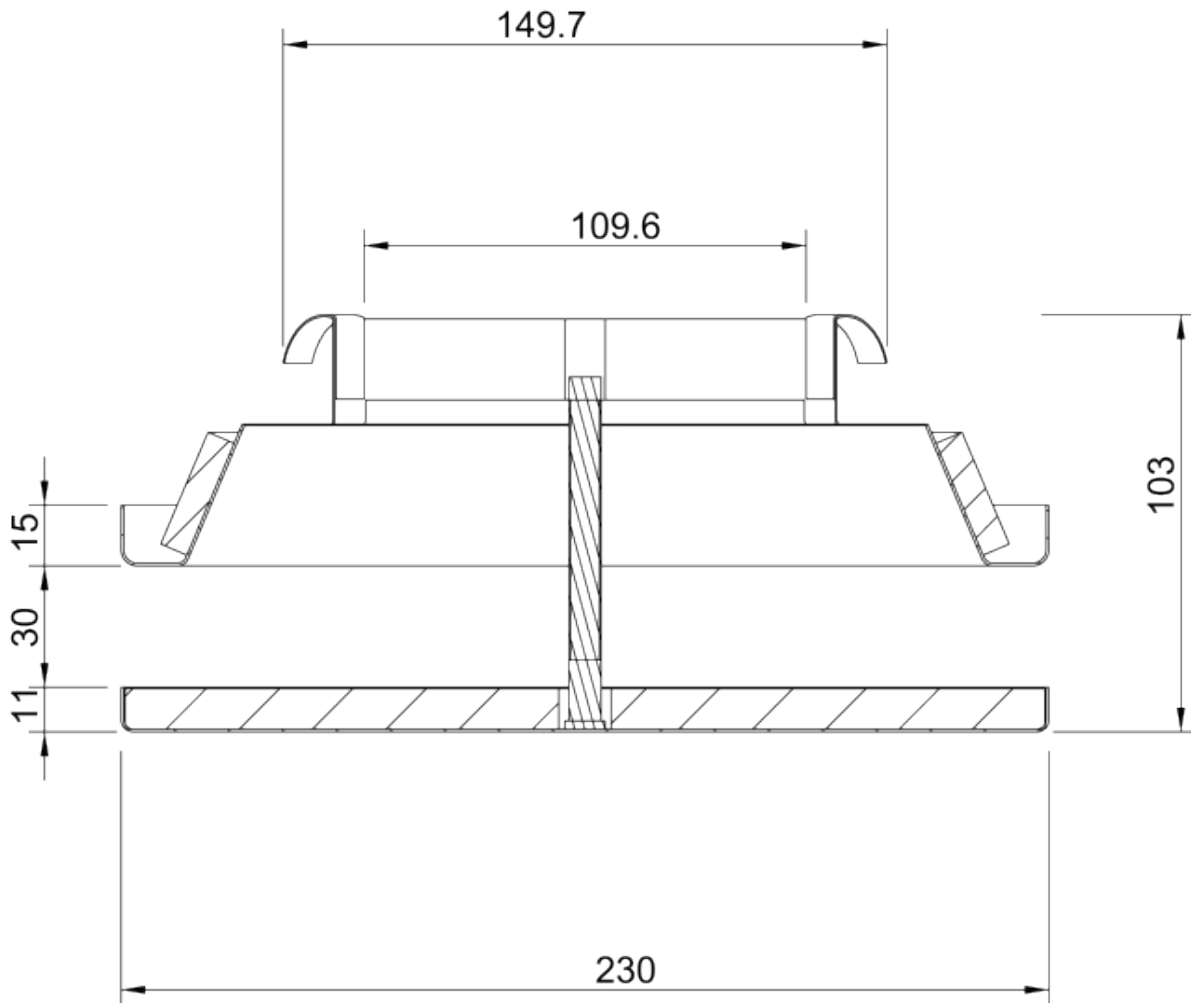
Call: [0845 6880112](tel:08456880112)
 Email: info@adremit.co.uk

Our Address

Puravent, Adremit Limited, Unit 5a, Commercial Yard,
Settle, North Yorkshire, BD24 9RH



Dimensions



Accessories

Accessories

[RFP-200 Mounting Frame \(6128\)](#)

[RFU-200 Mounting Frame \(6135\)](#)

[THOR-160-200 \(66760\)](#)

Documentation



TFF IMO GB.pdf (135,56kB)

Diagram

Name: **TFF 200 SUPPL VALVE RAL9010** | Item no.: **6093**

Document type: **Product card** | Document date: **2019-06-11** | Generated by: **Online catalogue**

2 / 6

Get In Touch



Call: [0845 6880112](tel:08456880112)



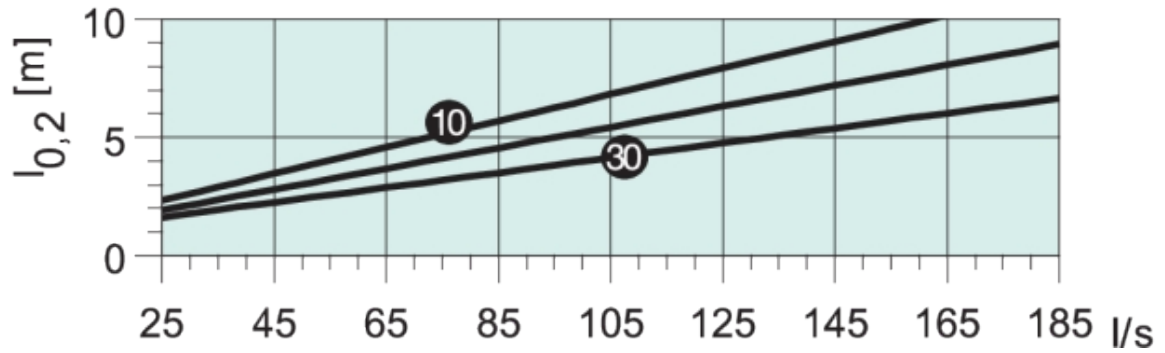
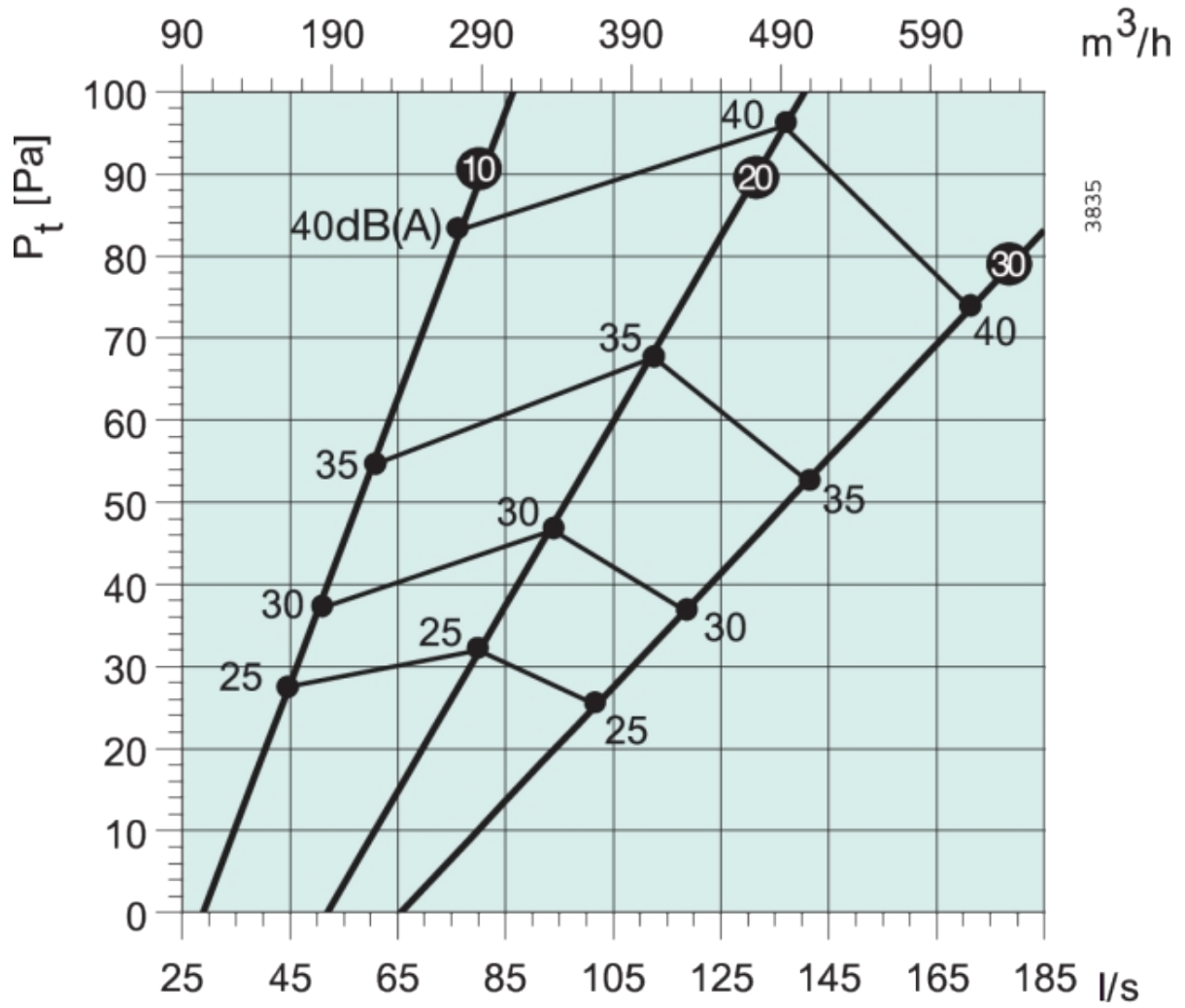
Email: info@adremit.co.uk

Our Address

Puravent, Adremit Limited, Unit 5a, Commercial Yard,
Settle, North Yorkshire, BD24 9RH



TFF 200



Name: TFF 200 SUPPL VALVE RAL9010 | Item no.: 6093

3 / 6

Document type: Product card | Document date: 2019-06-11 | Generated by: Online catalogue

Get In Touch

Call: [0845 6880112](tel:08456880112)
 Email: info@adremit.co.uk

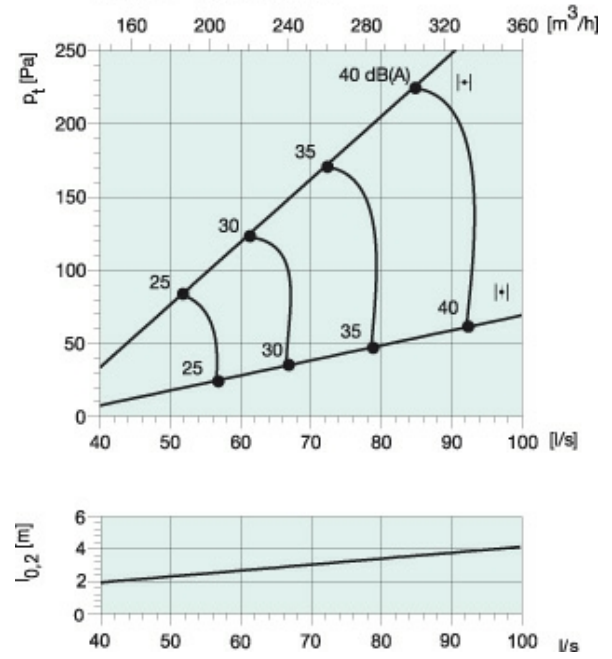
Our Address

Puravent, Adremit Limited, Unit 5a, Commercial Yard,
 Settle, North Yorkshire, BD24 9RH





TFF 200 + PER 160-200



Name: **TFF 200 SUPPL VALVE RAL9010** | Item no.: **6093**

Document type: **Product card** | Document date: **2019-06-11** | Generated by: **Online catalogue**

Get In Touch

Call: [0845 6880112](tel:08456880112)
 Email: info@adremit.co.uk

Our Address

Puravent, Adremit Limited, Unit 5a, Commercial Yard, Settle, North Yorkshire, BD24 9RH



The diagram shows

Air volume (l/s and m3/h), total pressure (Pa), throw (l0,2), and sound pressure level [dB(A)] for air gaps measuring 10, 20, and 30 mm. There is a 15 mm air gap when the unit is shielded 180°, but the data for a 10 mm air gap still apply. The throw value, however, should be multiplied by 1,2.

Diagrams for TFF + PER is shown for TFF with an air gap of 30 mm.

Sound attenuation, ΔL (dB)

| | Mid-frequency band, Hz | | | | | | | |
|----------------|------------------------|-----|-----|-----|----|----|----|----|
| | 63 | 125 | 250 | 500 | 1k | 2k | 4k | 8k |
| TFF 080 | 24 | 19 | 15 | 11 | 2 | 3 | 6 | 7 |
| TFF 100 | 22 | 17 | 13 | 10 | 2 | 2 | 7 | 8 |
| TFF 125 | 18 | 16 | 12 | 8 | 3 | 3 | 7 | 8 |
| TFF 150 | 18 | 15 | 11 | 9 | 4 | 5 | 7 | 9 |
| TFF 160 | 18 | 15 | 11 | 9 | 4 | 5 | 7 | 9 |
| TFF 200 | 16 | 13 | 9 | 7 | 5 | 5 | 8 | 8 |
| TFF 125 + THOR | 22 | 17 | 13 | 16 | 8 | 9 | 11 | 13 |
| TFF 160 + THOR | 20 | 17 | 12 | 15 | 9 | 11 | 12 | 13 |
| TFF 200 + THOR | 19 | 16 | 12 | 16 | 11 | 12 | 11 | 12 |

Sound power level, Lw

$$Lw(dB) = LpA + K_{ok} \text{ (LpA = diagram } K_{ok} = \text{table)}$$

correction factor K_{ok}

Get In Touch

 **Call:** [0845 6880112](tel:08456880112)
 **Email:** info@adremit.co.uk

Our Address

Puravent, Adremit Limited, Unit 5a, Commercial Yard,
 Settle, North Yorkshire, BD24 9RH

| | 63 | 125 | 250 | 500 | 1k | 2k | 4k | 8k |
|----------------|----|-----|-----|-----|----|-----|-----|-----|
| TFF 080 | 16 | 9 | 6 | 0 | -3 | -11 | -16 | -20 |
| TFF 100 | 19 | 8 | 6 | 1 | -7 | -15 | -19 | -21 |
| TFF 125 | 24 | 10 | 4 | -2 | -8 | -15 | -20 | -19 |
| TFF 150 | 23 | 11 | 5 | -2 | -9 | -14 | -18 | -23 |
| TFF 160 | 23 | 11 | 5 | -2 | -9 | -14 | -18 | -23 |
| TFF 200 | 19 | 9 | 8 | 0 | -7 | -13 | -17 | -21 |
| TFF 125 + THOR | 14 | 8 | 9 | -1 | -5 | -11 | -15 | -17 |
| TFF 160 + THOR | 15 | 7 | 10 | -1 | -7 | -15 | -18 | -21 |
| TFF 200 + THOR | 18 | 8 | 7 | -1 | -4 | -11 | -13 | -15 |
| Tolerance | ±6 | ±5 | ±2 | ±2 | ±2 | ±2 | ±2 | ±3 |

Specification text

Type: TFF

Circular supply air-valve, white.

Supply air-valve for wall/ceiling mounting.

TFF consists of inlet part and central plate.

Coated with sound-absorbent material.

Pivotable central plate for regulation of air stream.

Material:

Steel sheet, powder coated in RAL 9016

Mounting:

Directly to circular duct or with mounting frame.

TFF has clip-springs to provide easy mounting into duct or with mounting frames RFU/RFP.

- up to size 160mm, mounting frames are optional

- at size 200mm, Systemair recommends to use RFU/RFP 200

Get In Touch

Call: [0845 6880112](tel:08456880112)
 Email: info@adremit.co.uk

Our Address

Puravent, Adremit Limited, Unit 5a, Commercial Yard,
 Settle, North Yorkshire, BD24 9RH