



TFC 560 S SILEO BLACK

Item no. 78220

Document type: **Product card**
 Document date: **2019-06-11**
 Generated by: **Systemair Online Catalogue**

Description

TFC is a roof fan intended for residential and commercial buildings. It has energy efficient EC-fans which enables demand control. This roof fan has a simple and user friendly swing out function that will make maintenance easier for the user. The TFC is available in the colors red and black.

There are two versions of this roof fan:

The **S-version** comes with potentiometer as standard which allows the fan speed to be controlled stepless from 0 – 100 %. This is a simple solution when demand control is not necessary.

The **P-version** has Variable Air Volume (VAV) as standard but is prepared for and can easily be converted to Constant Air Volume (CAV).

Features:

- Safety switch easily accessible on the outside of the casing
- EC-motor with high efficiency throughout the entire fan performance range
- Less use of energy provides a cost efficient solution
- 100% speed controllable
- Demand control - easy to adjust ventilation rate to actual need
- Noise reduction thanks to insulated casing



Technical parameters

Nominal data	
Voltage	400 V
Frequency	50 Hz
Phase	3 ~
Input power (P1)	3071 W
Current	4,69 A
Max. airflow	3,78 m³/s
R.p.m.	1665 r.p.m.
Weight	74 kg
Temperature data	
Max. temperature of transported air	60 °C
Max. temperature of transported air when speed-controlled	60 °C
Sound data	
Sound pressure level at 4 m	59,5 dB(A)
Sound pressure level at 10 m	51,5 dB(A)
Protection / Classification	
Insulation class	F
Enclosure class, motor	IP54
ErP	
ErP ready	ErP 2016/ErP 2018

Get In Touch

Call: [0845 6880112](tel:08456880112)
 Email: info@adremit.co.uk

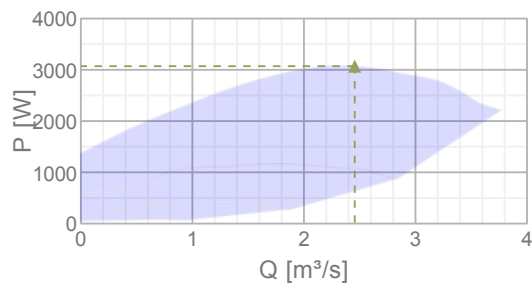
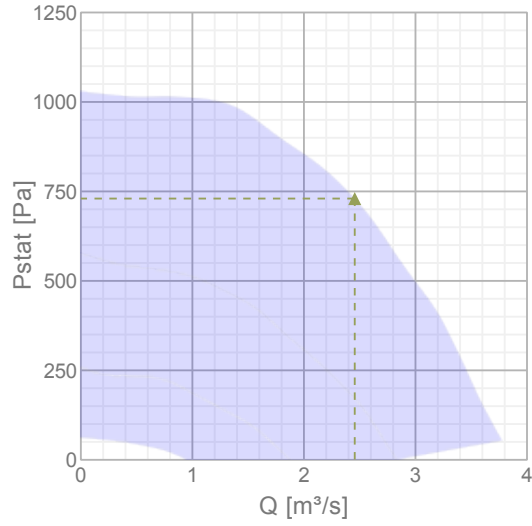
Our Address

Puravent, Adremit Limited, Unit 5a, Commercial Yard, Settle, North Yorkshire, BD24 9RH



Diagrams

Diagrams



Max efficiency

Hydraulic data										
▲ Working air flow										2,46 m³/s
▲ Working static pressure										730 Pa
▲ Power										3071 W
Speed										1666 r.p.m.
Current										4,69 A
SFP										1,25 W/(l/s)
Voltage										400 V
Sound power level		63	125	250	500	1k	2k	4k	8k	Tot
Inlet	dB(A)	47	78	76	77	74	75	69	63	84
Outlet	dB(A)	51	71	71	76	78	76	71	62	83

Name: **TFC 560 S SILEO BLACK** | Item no.: **78220**

2 / 4

Document type: **Product card** | Document date: **2019-06-11** | Generated by: **Online catalogue**

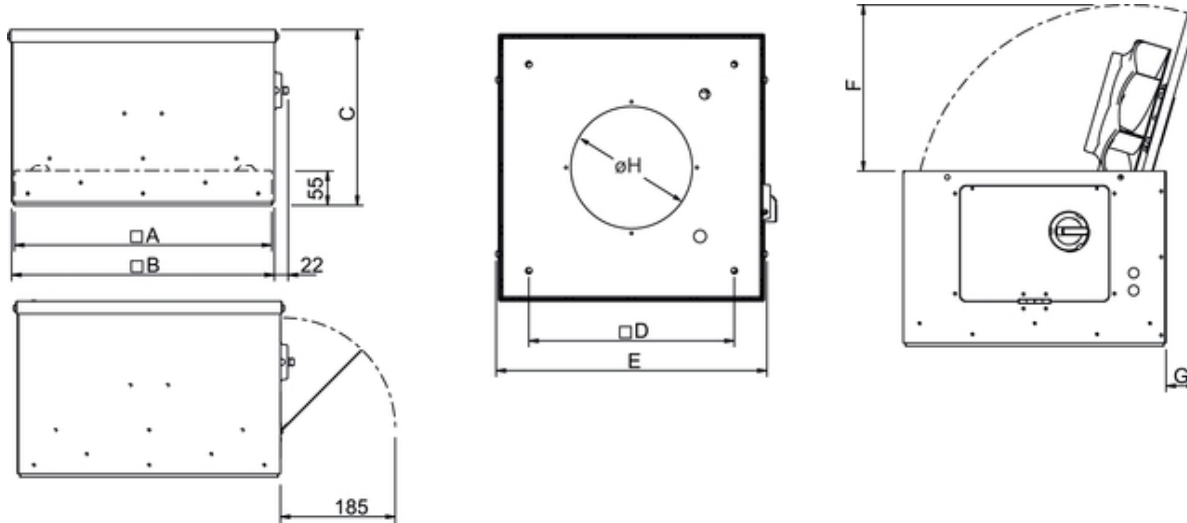
Get In Touch

Call: [0845 6880112](tel:08456880112)
 Email: info@adremit.co.uk

Our Address

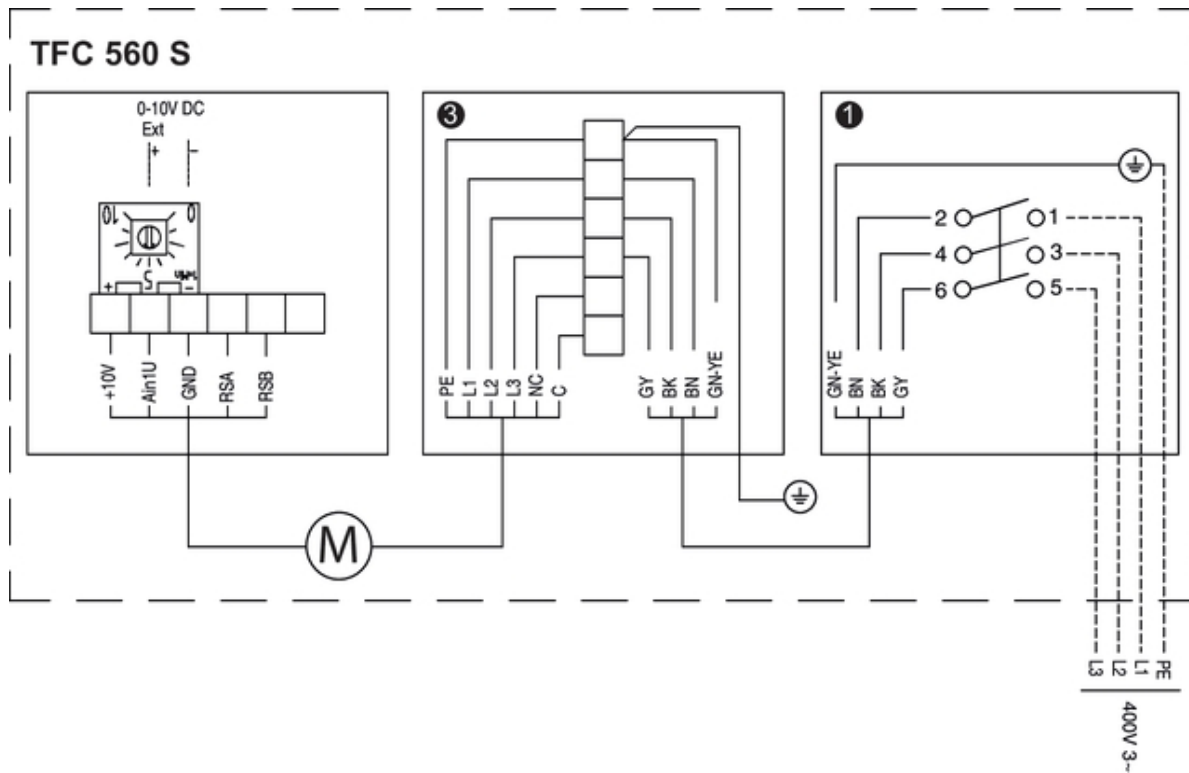
Puravent, Adremit Limited, Unit 5a, Commercial Yard,
 Settle, North Yorkshire, BD24 9RH

Dimensions



	A	B	C	D	E	F	G	øH
TFC 225	413	422	281	330	435	266	49	195
TFC 280	514	523	333	450	535	368	86	245
TFC 355	618	627	376	535	637	491	150	300
TFC 450	728	737	417	655	747	602	176	375
TFC 500	924	934	531	840	946	695	200	400
TFC 560	924	934	531	840	946	744	279	470

Wiring



1	Safety switch
Ext	External
GY	Gray
YE	Yellow
GN	Green
BN	Brown
BK	Black

Name: **TFC 560 S SILEO BLACK** | Item no.: **78220**

Document type: **Product card** | Document date: **2019-06-11** | Generated by: **Online catalogue**

3 / 4

Get In Touch

Call: [0845 6880112](tel:08456880112)
 Email: info@adremit.co.uk

Our Address

Puravent, Adremit Limited, Unit 5a, Commercial Yard,
 Settle, North Yorkshire, BD24 9RH

Accessories


Electric accessories


[RT 0-30 Room Thermostat \(5151\)](#)
[CO2RT-R-D Transmitter \(6993\)](#)
[Presence detector/IR24-P \(6995\)](#)
[MTV-1/010 Controller 0..10V+ \(30650\)](#)
[MTP 10, 10K, Speed control \(32731\)](#)
[EC-Vent Room Unit \(3018\)](#)
[EC-Vent control board \(3115\)](#)
[MTP 20, on/off, 3-step \(310220\)](#)
[EC-Basic-H humidity \(24807\)](#)
[EC-Basic-T temperature \(24805\)](#)
[EC-Basic-U universal 0-10V \(24806\)](#)
[EC-Basic-CO2 and temperature \(24808\)](#)
[EC-Selector \(9908\)](#)
[CXE/AVC Modbus \(37256\)](#)
[S-5EC/FRQ \(76738\)](#)
[PCA 1000D2 Pressure controller \(76739\)](#)


Accessories

[TG 940-1200 Roof Curb \(5090\)](#)

Documentation

 [TFC_Operating_maintenance_206434_EN_A006.pdf \(2,07MB\)](#)

 [MODBUS LITE V5.01 parameter specification.pdf \(726,08kB\)](#)

 [TFC 560.dxf \(2,33MB\)](#)

 [Bvd Takfläkt TFC ID2.pdf \(338,42kB\)](#)

Get In Touch



Call: [0845 6880112](tel:08456880112)



Email: info@adremit.co.uk

Our Address

Puravent, Adremit Limited, Unit 5a, Commercial Yard,
Settle, North Yorkshire, BD24 9RH