

MUB/T 042 400EV

Article Number: 235378

Variant : 230V 1~ 50Hz



Description

- Up to 120°C medium temperature, continuous operation
- Multi-functional use, e.g. for kitchen exhaust air
- Modular system
- Integral thermal contacts
- Pre-assembled isolator is standard
- Low sound level
- Easy to maintain and reliable
- Motor outside the air stream

All MUB/T fans have impellers with backward curved blades, manufactured from aluminium. The MUB/T fans are suitable for medium temperatures up to 120°C continuously. Motor protection by thermal contact, to be connected to an external motor protection device. The casing consists of an aluminium frame with fibreglass reinforced plastic corners and double skin, galvanised...

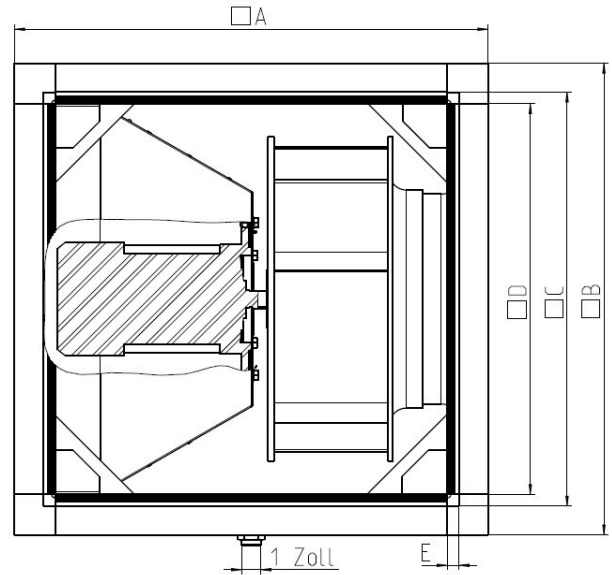
[Find more details in our online catalogue](#)

Technical parameters

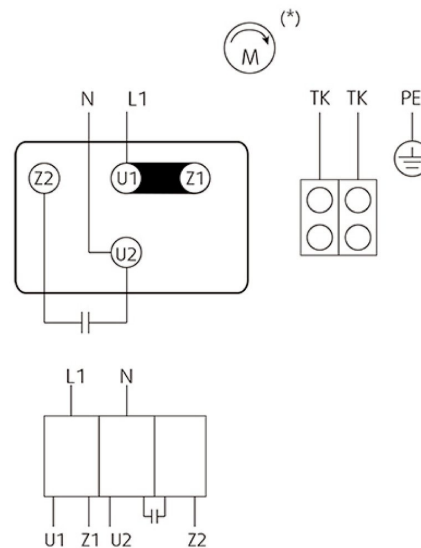
Nominal data	
Voltage (nominal)	230 V
Frequency	50 Hz
Phases	1~
Input power	458 W
Input current	2.01 A
Impeller speed	1,321 rpm
Air flow	max 1.109 m³/s
Capacitance of capacitor	12 µF
Temperature of transported air	max 120 °C
Max temperature of transported air, when speed controlled	120 °C
Protection/Classification	
Enclosure class, motor	IP54
Insulation class	F
Dimensions and weights	
Weight	53 kg
Others	
Motor type	AC

Dimension

MUB/T 042	□A	□B	□C	□D	E
400/450/500	690	690	590	548	21



Wiring



Get In Touch

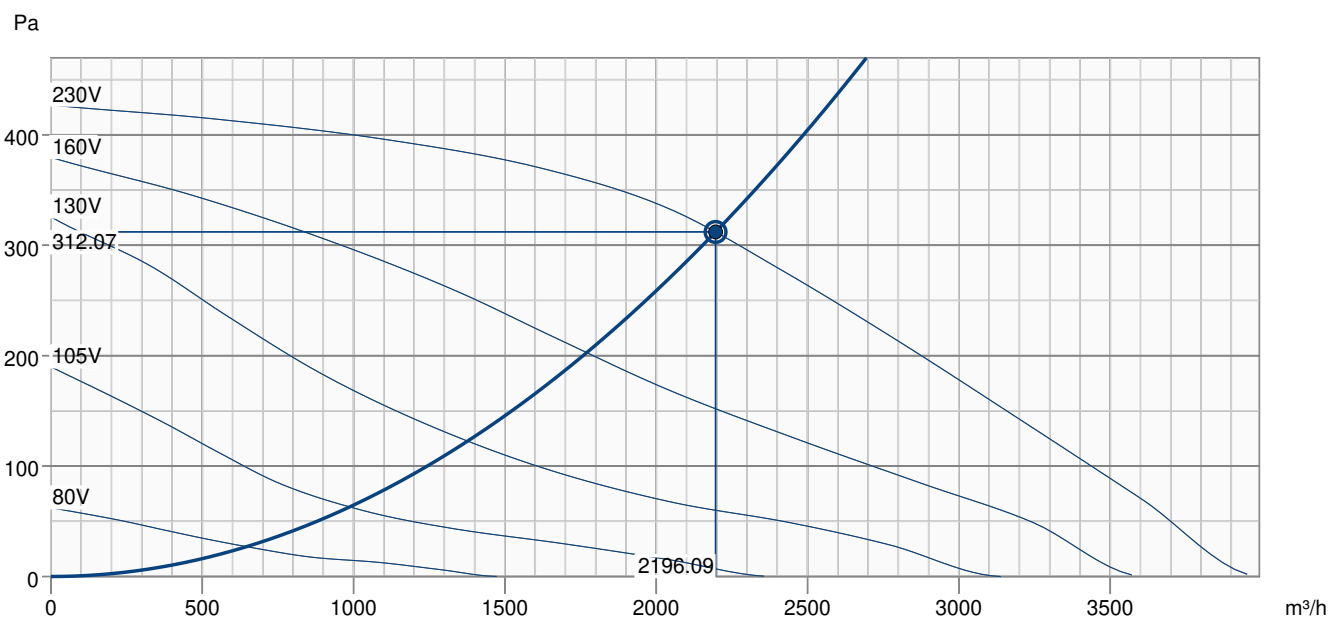
Call: 0845 6880112
 Email: info@adremit.co.uk

Our Address

Puravent, Adremit Limited, Unit 5a, Commercial Yard, Settle, North Yorkshire, BD24 9RH



Performance curve



Hydraulic data

Required air flow	2196.02 m³/h
Required static pressure	312 Pa
Working air flow	2196.09 m³/h
Working static pressure	312 Pa
Air density	1.204 kg/m³
Power	457.7 W
Fan control - RPM	1323 rpm
Current	2.01 A
SFP	0.750 kW/m³/s
Control voltage	230.0 V
Supply voltage	230 V

Sound power level		63	125	250	500	1k	2k	4k	8k	Total
Inlet	dB(A)	38	59	59	64	67	64	60	55	71
Outlet	dB(A)	39	61	60	65	69	66	62	56	73
Surrounding	dB(A)	17	41	34	34	38	38	29	20	45
Sound pressure level at 3m (20m² Sabine)	dB(A)	-	-	-	-	-	-	-	-	38
Sound pressure level at 3m free field	dB(A)	-	-	-	-	-	-	-	-	24

Accessories

Control transformer TES 030A5 (9512)	FGV 042/586-586 flex. conn. (4605)
Frequency converter FRQ5SE-6A (37421)	M-SG 042/588x588 (301345)
Motor protect. switch S-ET 10 (161199)	REU 3 Speed control (5005)
RTRE 3 Speed control (5009)	SD-MUB Vibration pad set (37324)
TUNE-AHU-DE007-042-588x588-M0 (79881)	UGS 042/400 adapter flex 120°C (38368)
UGS 042/500 adapter flex. (4357)	WSD 042 (730x730x70) complete (31481)
WSG 042 MUB/T complete (36071)	FGV 042/586-586 flex. 120°C (38361)
Frequency converter FRQSE-6A (37419)	CCM inlet MUB042 d400 (311780)
CCM inlet MUB042 d500 (311781)	CCM outlet MUB042 d400 (311682)
CCM outlet MUB042 d500 (311683)	CCMI outlet 042 d400 KIT 30mm (239093)
CCMI outlet 042 d500 KIT 30mm (239094)	GRU 042 base frame h= 100mm (276661)
KKF 30 042-filter-section (93311)	KKF-ALU 042-filter-section (376815)
KKF-CAR 042-filter-section (277346)	KKF-CAR 062-filter-section (277347)
KKF-KITCHEN 042-filter-section (277363)	KKF-KITCHEN 062-filter-section (277364)
KKS 042 silencer-section (276851)	

Documents

Installation, Operation and Maintenance instruction_001
UKCA DECLARATION OF CONFORMITY_THERMOFANS_EN_002.PDF
COMMISSIONING REPORT_FANS_160628_EN_001.PDF

Article name: MUB/T 042 400EV | Product link: <https://shop.systemair.com/en-GB/productPermalink?p=523035> | Item Number: 235378 | Variant: 230V 1~ 50Hz | Document type: Product card | Created at: 03.11.2022 | Generated by: Systemair Online Catalogue | Language: English

Get In Touch

Call: 0845 6880112
 Email: info@adremit.co.uk

Our Address

Puravent, Adremit Limited, Unit 5a, Commercial Yard,
 Settle, North Yorkshire, BD24 9RH

