

## KT 100-50-6\*\*

Centrifugal rectangular duct fan

Item number: [93293](#)

Variant: 400V 3~ 50Hz

- Swing-out
- Speed-controllable
- Integral thermal contacts
- Can be installed in any position
- Maintenance-free and reliable



The KT models have impellers with forward-curved blades and external rotor motors. The motor and impeller are mounted on the access cover to facilitate easy maintenance. The casing is manufactured from galvanised sheet steel. To protect the motor from overheating the fans have integral thermal contacts with external leads for connection to a motor protection device. The fans can be installed in any position and are easy to connect using the DS flexible connections. The KT fans have a pre-wired, integral terminal box.



### Technical parameters

Norminal data		
Voltage (nominal)	400	V
Frequency	50	Hz
Phase(s)	3~	
Input power	4,450	W
Input current	7.82	A
Impeller speed	794	r.p.m.
Air flow	max ; 9,814;	m³/h
Minimum static back pressure	105	Pa
Temperature of transported air	max 43	°C
Max temperature of transported air, when speed controlled	43	°C
Sound data		
Sound pressure level at 3m (20m² Sabin)	62	dB(A)

#### Get In Touch

 Call: [0845 6880112](tel:08456880112)  
 Email: [info@adremit.co.uk](mailto:info@adremit.co.uk)

#### Our Address

Puravent, Adremit Limited, Unit 5a, Commercial Yard,  
Settle, North Yorkshire, BD24 9RH

### Protection/Classification

Enclosure class, motor	IP54
Insulation class	F

### Data according to ErP

ErP ready	Not ErP relevant
-----------	------------------

### Dimensions and weights

Weight	80 kg
--------	-------

### Others

Motor type	AC
------------	----

#### Get In Touch

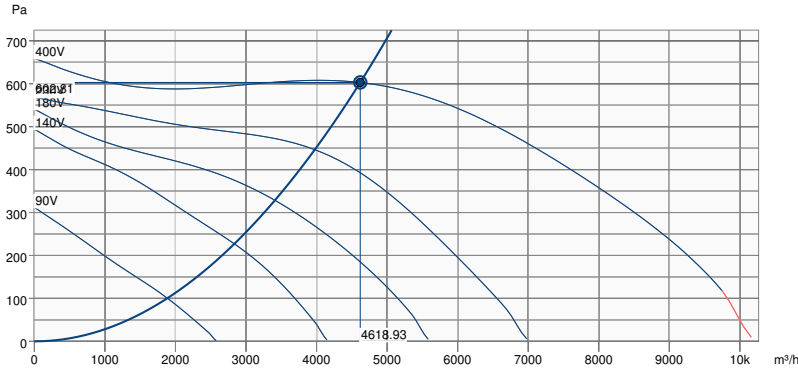
 Call: [0845 6880112](tel:08456880112)  
 Email: [info@adremit.co.uk](mailto:info@adremit.co.uk)

#### Our Address

Puravent, Adremit Limited, Unit 5a, Commercial Yard,  
Settle, North Yorkshire, BD24 9RH

# Performance

## Performance curve



Hydraulic data	
Required air flow	4620 m³/h
Required static pressure	603 Pa
Working air flow	4619 m³/h
Working static pressure	603 Pa
Air density	1.204 kg/m³
Power	1829.4 W
Fan control - RPM	930 rpm
Current	4.00 A
SFP	1.426 kW/m³/s
Control voltage	400.0 V
Supply voltage	400 V

Sound power level		63	125	250	500	1k	2k	4k	8k	Total
Inlet	dB(A)	72	70	66	72	73	73	70	66	80
Outlet	dB(A)	69	72	73	79	80	79	75	70	85
Surrounding	dB(A)	57	65	63	63	63	59	54	54	70
Sound pressure level at 3m (20m² Sabine)	dB(A)	-	-	-	-	-	-	-	-	63
Sound pressure level at 3m free field	dB(A)	-	-	-	-	-	-	-	-	49

Article name: KT 100-50-6\*\* | Product link: <https://shop.systemair.com/en/productPermalink?p=111486> | Item number: 93293 | Variant: 400V 3~ 50Hz | Document type: Product card | Created at: 2021-05-12 | Generated by: Systemair Online Catalogue | Language: English

### Get In Touch

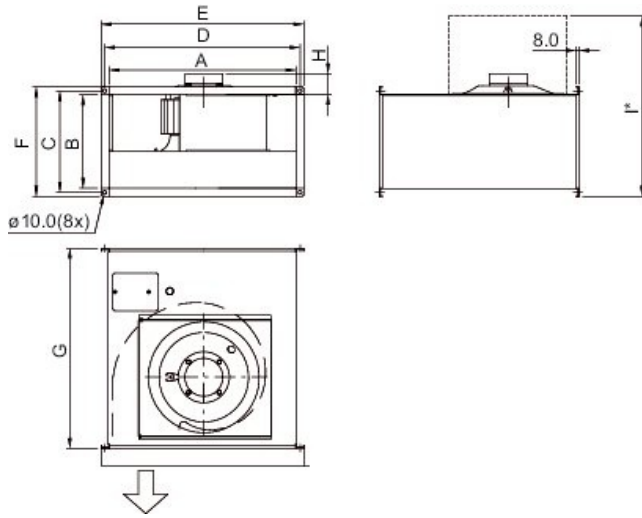
Call: 0845 6880112  
 Email: [info@adremit.co.uk](mailto:info@adremit.co.uk)

### Our Address

Puravent, Adremit Limited, Unit 5a, Commercial Yard, Settle, North Yorkshire, BD24 9RH



## Dimension



	A	B	C	D	E	F	G	H	I*
KT 40-20	398	198	220	420	440	240	502	32	530
KT 50-25	498	248	270	520	540	290	532	68	610
KT 50-30	498	298	320	520	540	340	562	68	695
KT 60-30	598	298	320	620	640	340	642	89	715
KT 60-35	598	348	370	620	640	390	717	92	805
KT 70-40-4	698	398	420	720	740	440	787	92	900
KT 70-40-6/8	698	398	420	720	740	440	787	92	900
KT 80-50	798	497	520	820	840	540	880	113	1090
KT 100-50	998	497	520	1020	1040	540	980	113	1140

I\* = Dimension with fully open hatch.

### Get In Touch

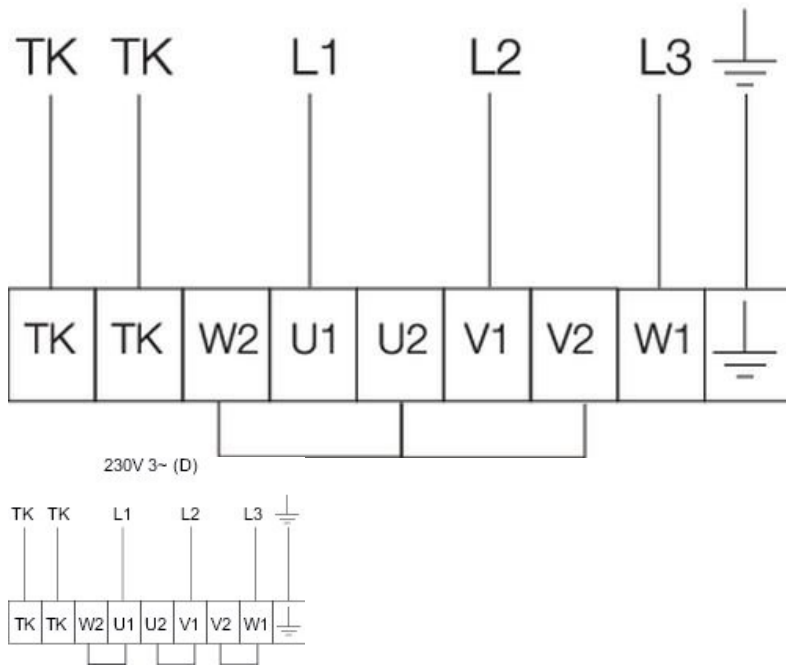
Call: 0845 6880112  
 Email: [info@adremit.co.uk](mailto:info@adremit.co.uk)

### Our Address

Puravent, Adremit Limited, Unit 5a, Commercial Yard,  
 Settle, North Yorkshire, BD24 9RH

## Wiring

400V 3~



### Get In Touch



Call: 0845 6880112



Email: [info@adremit.co.uk](mailto:info@adremit.co.uk)

### Our Address

Puravent, Adremit Limited, Unit 5a, Commercial Yard,  
Settle, North Yorkshire, BD24 9RH

## Accessories

- DS 100-50 Flexible connection (1555)
- REV-5POL/07 ON/OFF (33980)
- STDT 16E Motor Protection (5153)
- CO2RT-R-D Transmitter (6993)
- FRQS-10A V2 (36232)
- Presence detector/IR24-P (6995)
- RT 0-30 Room Thermostat (5151)
- T 120 Timer (5165)
- FFK 100-50 filter cassette (30237)
- PGK 100-50-3-2,0 Duct cooler (6601)
- RB 100-50/80-5 400V/3 Duct hea (9661)
- VBR 100-50-2 Water heating bat (5470)
- VK-100-50 Louvre shutter (5637)
- FRQ5S-10A+LED V2 (36234)
- RTRD 14 Speed cont. Systemair (5944)
- WSG 100-50 weather prot.guard (30596)
- DTV500A (96807)
- HR1 Room Humidistat (215150)
- RB 100-50/45-3 400V/3 Duct hea (9649)
- Safety switch 3-pole grey (210680)
- DXRE 100-50-3-2,5 Duct cooler (7959)
- LDR 100-50 Silencer (5067)
- RB 100-50/68-4 400V/3 Duct hea (9650)
- SRK 100-50 Class 3 Damper (7029)
- VBR 100-50-3 Water heating bat (5478)

## Documents

- [132780\\_FANS\\_INSTRUCTIONS\\_OUTSIDE\\_EU\\_A002.PDF](#)

## Specification

Circular duct fan for easy and direct installation in ducts.

Galvanized steel sheet housing.

Service cover. The fan unit is mounted on the service cover for easy cleaning and maintenance.

Free-running, forward curved circular impeller made of galvanized steel sheet.

Impeller acc. to VDI 2060, balancing quality G 6.3, dynamically balanced in two planes.

Voltage controllable external rotor motor (IP44), maintenance-free, the motor is placed inside the air flow for cooling. Integral thermal contacts acc. to EN 60335-2-80 with leads to a motor protection device. Speed-controlled by voltage reduction via transformer.

Controllable via frequency inverter and all-pole sinusoidal filter.

Terminal box on the casing.

For extract and supply air.

Installation in any mounting position.

For indoor installation.

### Get In Touch



Call: [0845 6880112](tel:08456880112)



Email: [info@adremit.co.uk](mailto:info@adremit.co.uk)

### Our Address

Puravent, Adremit Limited, Unit 5a, Commercial Yard,  
Settle, North Yorkshire, BD24 9RH