



## AW-EX Axial Fans

### Explosion proof axial wall fan

- ATEX certified
- Available with AC motors for 50 and 60Hz
- Installation in any position

[Find more details in our online catalogue](#)

#### Flexible

The AW-EX fans are **designed** for use in challenging **low pressure environments** where **explosive atmospheres** can occur. They can be installed in **any position** and in a variety of **harsh and hazardous** environment.

#### Safety

The fans are ATEX-certified. The variants **AW-EX 355 / 420** have explosion proof marking: **II 2G Ex e IIB T4** and sizes **AW-EX 550 / 650** have explosion proof marking: **II 2G Ex e IIB T3**.

### Features

#### Construction

The square wall plate is made of galvanized steel with powder coating in RAL9005.

The **complete** range is provided **with inlet protection grid**.

It is recommended to connect the electrical cable from the motor to any device via an **ATEX-certified connection box**.

#### Impeller

The AW-EX fans use **axial impellers**. These are made of **galvanized steel**, are dynamically **balanced** and are paired with corresponding external rotor motors.

#### Motor

AW-EX fans are equipped with **AC motors**. The motors are suitable for **50Hz** and **60Hz**.

The AW-Ex fan motor is approved according to ATEX. Useful for Zone 1 and 2, groups IIA, IIB and temperature class T1, T2, or T3 (AW 355 and AW 420 also T4), ignition protection "e".

#### Motor protection

The Motor has a prewired integral **PTC thermistor** with external leads to be connected to a **motor protection device** as **U-EK230**.

#### Control

The **AC motors** can be controlled by a **5-step** regulator.

#### Installation

The AW fans can be installed in **any position on wall or ceiling** in **indoor** environments.

#### Get In Touch

Call: [0845 6880112](tel:08456880112)  
Email: [info@adremit.co.uk](mailto:info@adremit.co.uk)

#### Our Address

Puravent, Adremit Limited, Unit 5a, Commercial Yard, Settle, North Yorkshire, BD24 9RH



## Technical parameters

| Nominal data  |                     |                   |
|---|---------------------|-------------------|
| Voltage (nominal)   | 400                 | V                 |
| Frequency   | 50                  | Hz                |
| Phases  | 3~                  |                   |
| Input power   | 355                 | W                 |
| Input current   | 0.765               | A                 |
| Impeller speed  | 879                 | rpm               |
| Air flow  | max 1.841           | m <sup>3</sup> /s |
| Temperature of transported air                            | max 40              | °C                |
| Max temperature of transported air, when speed controlled | 40                  | °C                |
| Sound data  |                     |                   |
| Sound pressure level at 3m (20m <sup>2</sup> Sabin)       | 67                  | dB(A)             |
| Protection/Classification                                 |                     |                   |
| Enclosure class, motor                                    | IP44                |                   |
| Insulation class  | F                   |                   |
| Explosion proof marking                                   | II 2G c Ex e IIB T3 |                   |
| Certificate   | ZELM 05ATEX0279X    |                   |
| Data according to ErP                                     |                     |                   |
| ErP ready   | Not ErP relevant    |                   |
| Ambient and duct temperature                              |                     |                   |
| Ambient and duct temperature                              | -20 to 40           | °C                |
| Dimensions and weights                                    |                     |                   |
| Weight  | 14.5                | kg                |
| Others  |                     |                   |
| Motor type  | AC                  |                   |

### Get In Touch

Call: [0845 6880112](tel:08456880112)Email: [info@adremit.co.uk](mailto:info@adremit.co.uk)

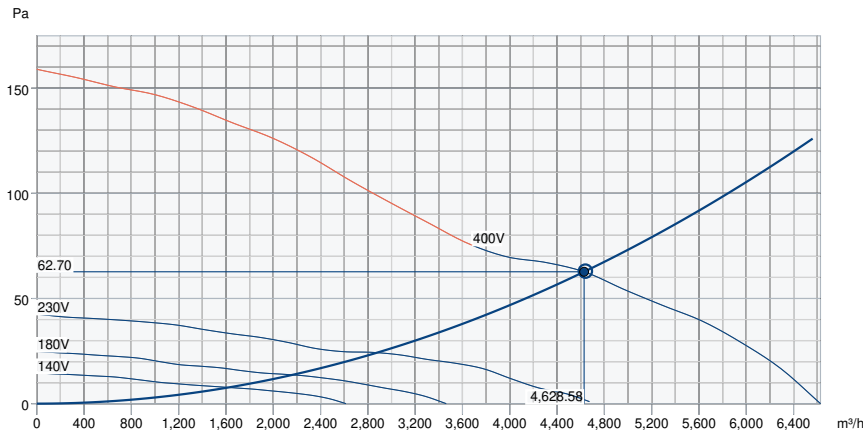
### Our Address

Puravent, Adremit Limited, Unit 5a, Commercial Yard,  
Settle, North Yorkshire, BD24 9RH



## Performance

### Performance curve



#### Hydraulic data

|                          |               |
|--------------------------|---------------|
| Required air flow        | 4,639.32 m³/h |
| Required static pressure | 63 Pa         |
| Working air flow         | 4,628.58 m³/h |
| Working static pressure  | 63 Pa         |
| Air density              | 1.204 kg/m³   |
| Power                    | 330.9 W       |
| Fan control - RPM        | 894 rpm       |
| Current                  | 0.70 A        |
| SFP                      | 0.257 kW/m³/s |
| Control voltage          | 400.0 V       |
| Supply voltage           | 400 V         |

| Sound power level |       | 63 | 125 | 250 | 500 | 1k | 2k | 4k | 8k | Total |
|-------------------|-------|----|-----|-----|-----|----|----|----|----|-------|
| Inlet             | dB(A) | 40 | 60  | 61  | 66  | 68 | 66 | 58 | 49 | 72    |

#### Accessories

#### Get In Touch

Call: [0845 6880112](tel:08456880112)  
 Email: [info@adremit.co.uk](mailto:info@adremit.co.uk)

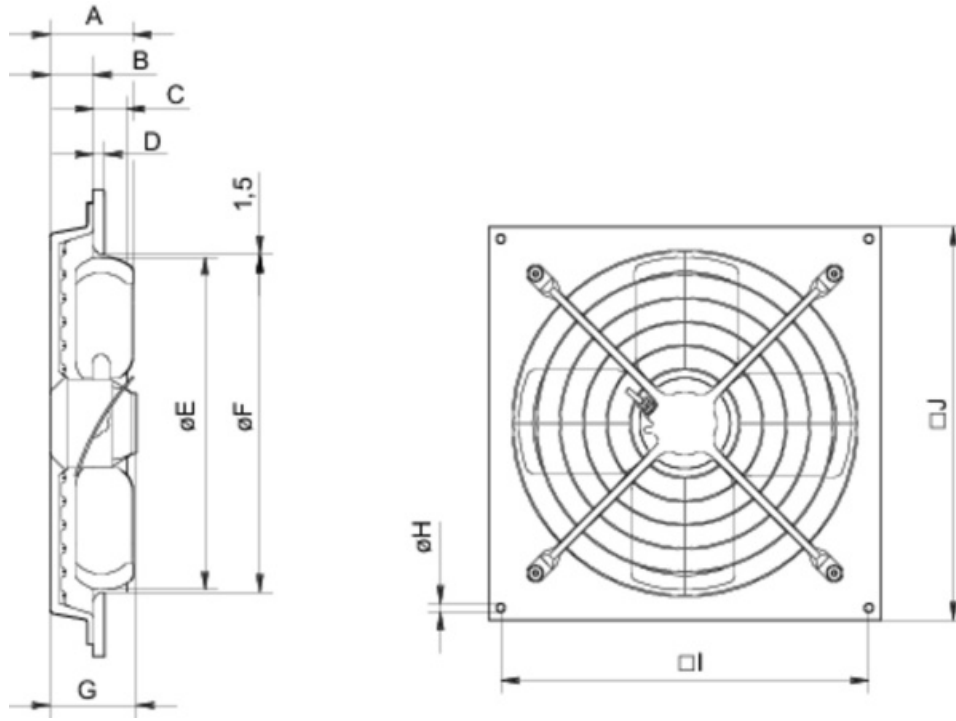
#### Our Address

Puravent, Adremit Limited, Unit 5a, Commercial Yard,  
 Settle, North Yorkshire, BD24 9RH







### Dimension



|           | A   | B  | C  | D  | ØE  | ØF  | G   | ØH   | I   | J   |
|-----------|-----|----|----|----|-----|-----|-----|------|-----|-----|
| AW 550 EX | 138 | 72 | 55 | 18 | 551 | 558 | 143 | 14.5 | 610 | 650 |

#### Get In Touch

 Call: [0845 6880112](tel:08456880112)  
 Email: [info@adremit.co.uk](mailto:info@adremit.co.uk)

#### Our Address

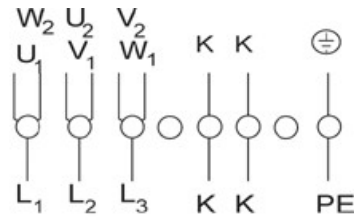
Puravent, Adremit Limited, Unit 5a, Commercial Yard, Settle, North Yorkshire, BD24 9RH



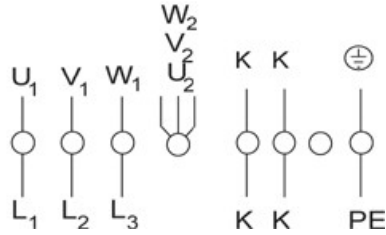


## Wiring

Delta connection



Star connection



|    |              |
|----|--------------|
| U1 | brown        |
| V1 | blue         |
| W1 | black        |
| U2 | red          |
| V2 | grey         |
| W2 | orange       |
| K  | white        |
| PE | green/yellow |

3~ motor, 2 speeds (D/Y switch over) with temperature sensor.  
Without bridge when using speed change over switch.

### Get In Touch

Call: [0845 6880112](tel:08456880112)  
 Email: [info@adremit.co.uk](mailto:info@adremit.co.uk)

### Our Address

Puravent, Adremit Limited, Unit 5a, Commercial Yard,  
Settle, North Yorkshire, BD24 9RH



## Accessories

- REV-5POL/07-7,5kW R/Y (33980)
- RTRD 2 Speed Cont. Systemair (5941)
- U-EK230E Motor protection (30199)
- REV-9POL/12-7,5kW R/Y (33981)
- RTRDU 2 Speed contr. Systemair (5945)
- REV-3POL/ATEX-11kW R/Y (36414)

## Documents

- imo\_fans\_atex\_en\_008
- 1.SUPP\_ZELM 05 ATEX 0279X\_EN.PDF
- Zelm\_05\_ATEX0279.pdf
- EU\_DECLARATION\_OF\_CONFORMITY\_ALL\_009\_314830.PDF

### Get In Touch

-  Call: [0845 6880112](tel:08456880112)
-  Email: [info@adremit.co.uk](mailto:info@adremit.co.uk)

### Our Address

Puravent, Adremit Limited, Unit 5a, Commercial Yard,  
Settle, North Yorkshire, BD24 9RH