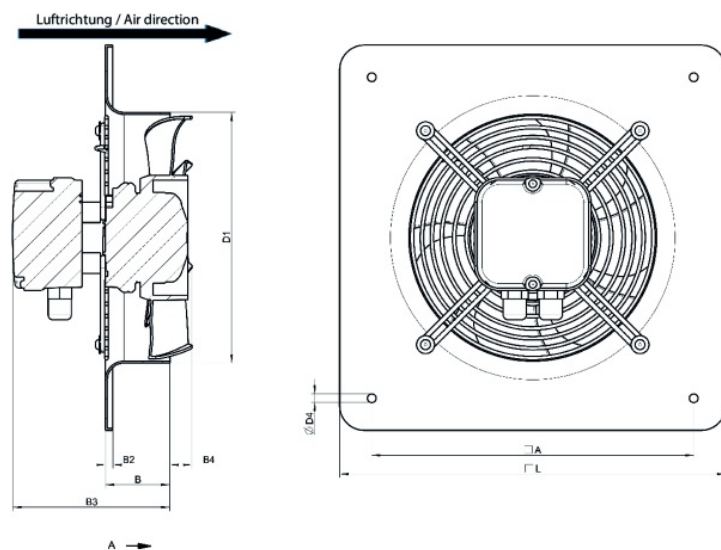




**Technical parameters**

Nominal data	
Voltage (nominal)	230 V
Frequency	60; 50 Hz
Phases	1~
Input power	83 W
Input current	0.72 A
Impeller speed	2,330 rpm
Air flow	max 0.475 m³/s
Temperature of transported air	max 60 °C
Max temperature of transported air, when speed controlled	60 °C
Protection/Classification	
Enclosure class, motor	IP54
Insulation class	B
Data according to ErP	
ErP ready	ErP 2018
Dimensions and weights	
Weight	3.3 kg
Others	
Color name, casing	Black
Motor type	EC

**Dimension**



	□A	B	B2	B3	B4	ØD1	ØD4	□L
AW 250 EC sileo	320	57	6	132	22	260	7	370

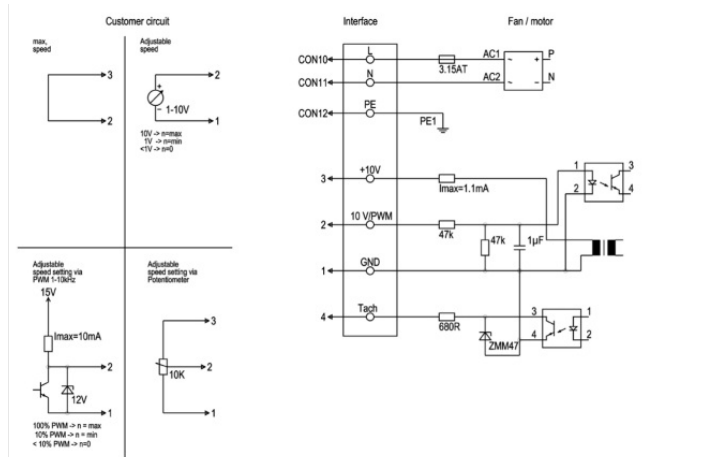
**Get In Touch**

Call: 0845 6880112  
 Email: [info@adremit.co.uk](mailto:info@adremit.co.uk)

**Our Address**

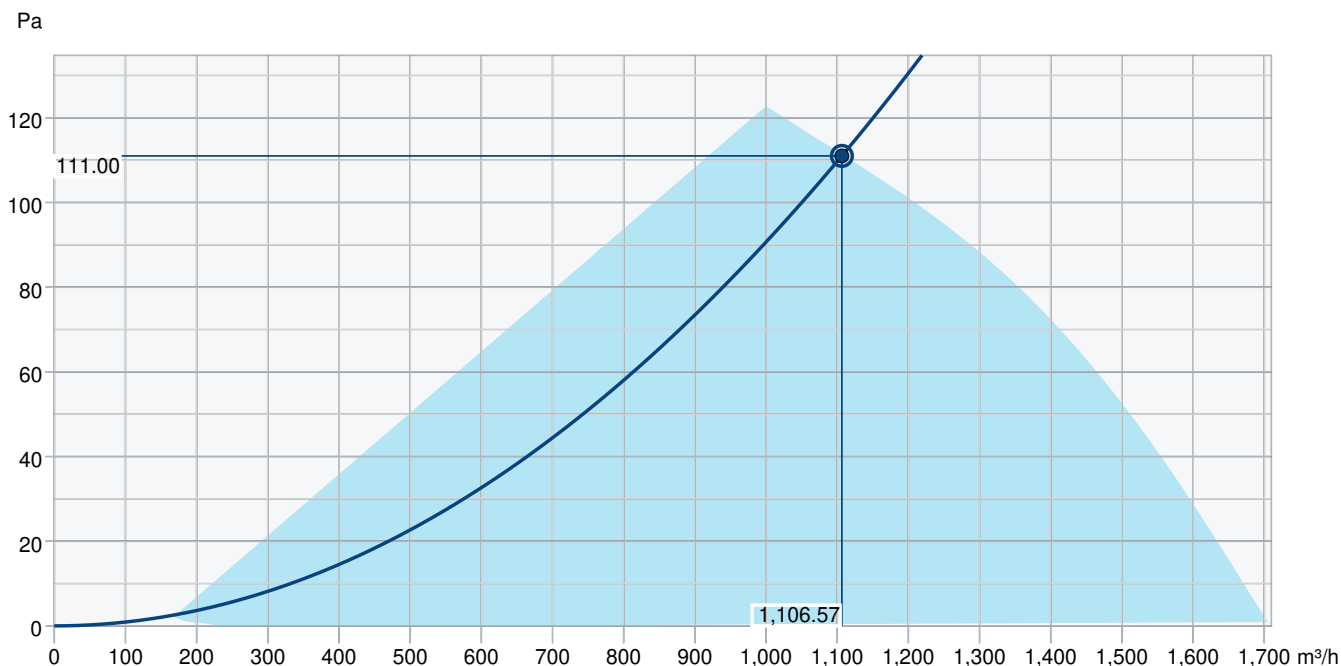
Puravent, Adremit Limited, Unit 5a, Commercial Yard, Settle, North Yorkshire, BD24 9RH





No.	Signal	Colour	Function / assignment
CON10	L	black	Power supply 230 VAC, 50-60 Hz, for voltage range refer to rating plate
CON11	N	blue	Neutral conductor
CON12	PE	green/yellow	Protective earth
1	GND	blue	GND - Connection for control interface
2	0- 10V PWM	yellow	Control input 0 - 10 V or PWM, electrically isolated
3	10V/ max 1.1mA	red	Voltage output 10V/ 1.1mA, electrically isolated, not short-circuit-proof.
4	Tach	white	Tach output: open collector, 1 pulse per revolution, electrically isolated

Performance curve



Get In Touch

Call: 0845 6880112  
 Email: [info@adremit.co.uk](mailto:info@adremit.co.uk)

Our Address

Puravent, Adremit Limited, Unit 5a, Commercial Yard, Settle, North Yorkshire, BD24 9RH



**Hydraulic data**

Required air flow	1,106.57 m³/h
Required static pressure	111 Pa
Working air flow	1,106.57 m³/h
Working static pressure	111 Pa
Air density	1.204 kg/m³
Power	83.4 W
Fan control - RPM	2,330 rpm
Current	0.70 A
SFP	0.271 kW/m³/s
Control voltage	10.0 V
Supply voltage	230 V

Sound power level		63	125	250	500	1k	2k	4k	8k	Total
Inlet	dB(A)	41	59	65	69	68	68	64	55	74

**Accessories**

## Accessories

EC-Basic-CO2 and temperature (24808)

EC-Basic-T temperature (24805)

EC-Vent control board (3115)

MTP 10, 10K, Speed control (32731)

Potentiometer MTP 20, 0-10V (310220)

Step switch S-5EC, 0-10V (76738)

VK-25 Louvre shutter (5640)

EC-Basic-H humidity (24807)

EC-Basic-U universal 0-10V (24806)

EC-Vent Room Unit (3018)

MTV-1/010 Controller 0..10V+ (30650)

REV-3POL/03-7,5kW R/Y (33978)

Step switch S-5EC-2, 0-10V (449084)

BMS Trickle &amp; Boost Switch (120363)

## Documents

MANUAL\_AW\_\_AR\_EBM\_EN\_003-MIN.PDF

DWG - 35855

UKCA Declaration of Conformity\_001

installation variations\_2\_AR\_AW.pdf

### Get In Touch

Call: [0845 6880112](tel:08456880112)Email: [info@adremit.co.uk](mailto:info@adremit.co.uk)

### Our Address

Puravent, Adremit Limited, Unit 5a, Commercial Yard,  
 Settle, North Yorkshire, BD24 9RH

