

NOTE: It is our policy to continually improve products and as such we reserve the right to alter data, specifications and component parts without prior notice.



IMPORTANT: No liability is accepted for incorrect use of product.

WARRANTY: Guarantee is 12 months from purchase date, proof of which will be required for any claim.

INFORMATION: For a copy of our latest catalogue and promotions call us on 01284 757525 and leave your full name and address, including postcode.

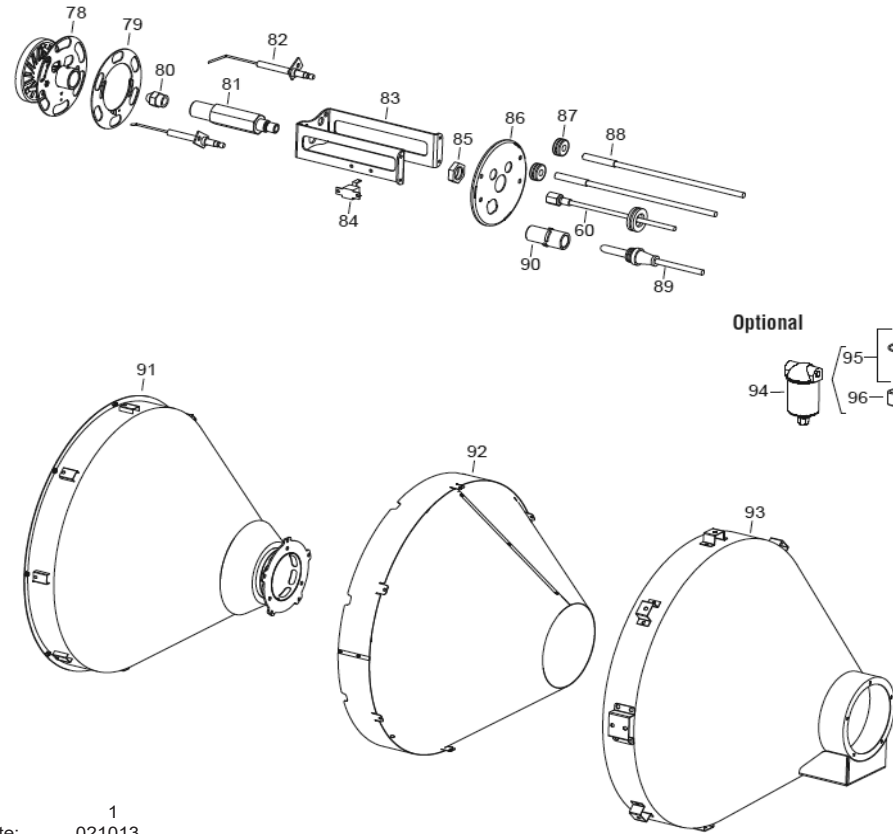
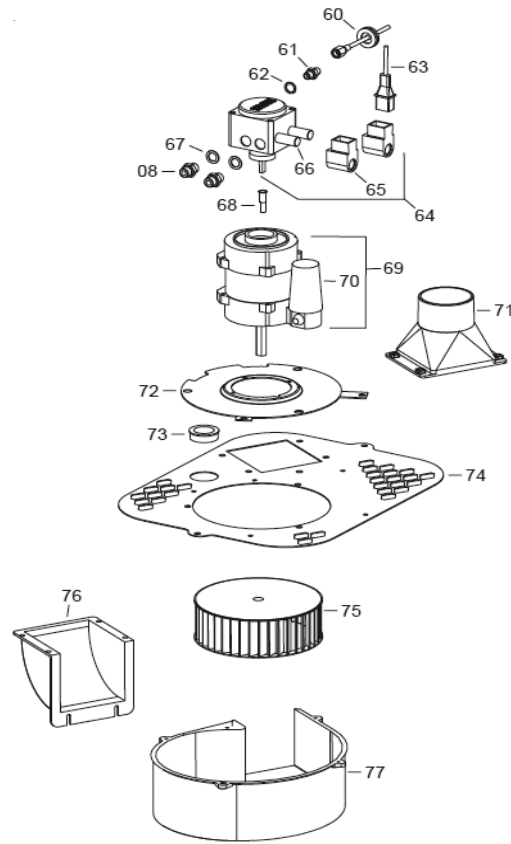
	<p>Sole UK Distributor, Sealey Group, Kempson Way, Suffolk Business Park, Bury St Edmunds, Suffolk, IP32 7AR</p>	<p> 01284 757500  01284 703534</p>	<p> www.sealey.co.uk  sales@sealey.co.uk</p>
---	--	---	---

Get In Touch

 Call: 0845 6880112
 Email: info@adremit.co.uk

Our Address

Puravent, Adremit Limited, Unit 5a, Commercial Yard,
 Settle, North Yorkshire, BD24 9RH



Issue: 1
 Issue Date: 021013

NOTE: It is our policy to continually improve products and as such we reserve the right to alter data, specifications and component parts without prior notice.

IMPORTANT: No liability is accepted for incorrect use of product.

WARRANTY: Guarantee is 12 months from purchase date, proof of which will be required for any claim.

INFORMATION: For a copy of our latest catalogue and promotions call us on 01284 757525 and leave your full name and address, including postcode.

Get In Touch

Call: 0845 6880112
 Email: info@adremit.co.uk

Our Address

Puravent, Adremit Limited, Unit 5a, Commercial Yard,
 Settle, North Yorkshire, BD24 9RH

ITEM	PART NO	DESCRIPTION	ITEM	PART NO	DESCRIPTION	ITEM	PART NO	DESCRIPTION
1	IR55.01	FRONT COVER	34	IR55.34	WHEEL COVER	67	IR55.67	WASHER 1/4" x 1.5
2	IR55.02	LOWER COVER (MOVEABLE)	35	IR55.35	NIPPLE 1/4" MM (M12x1.75m)	68	IR55.68	COUPLING
3	IR55.03	LOWER COVER	36	IR55.36	PIPE (L-220mm)	69	IR55.69	MOTOR ASS'Y 200W
4	IR55.04	UPPER COVER	37	IR55.37	FRONT PANEL	70	IR55.70	CONDENSER 6.3 uF
5	IR55.05	FRONT DISC	38	IR55.38	SIDE COVER, LEFT	71	IR55.71	MOTOR COVER
6	IR55.06	UPPER BODY	39	IR55.39	BRACKET	72	IR55.72	FAN & MOTOR SUPPORT
7	IR55.07	PIPE 1/4"FF (L-420MM)	40	IR55.40	BURNER CYLINDER	73	IR55.73	CABLE PROTECTION 35MM
8	IR55.08	NIPPLE 1/4" (MM)	41	IR55.41	TERMINAL BOARD	74	IR55.74	FAN & MOTOR SUPPORT
9	IR55.09	FILTER SUPPORT	42	IR55.42	GAS HOSE (L-350MM)	75	IR55.75	MOTOR FAN
10	IR55.10	FILTER COMPLETE	43	IR55.43	ELECTRICAL DRAWER	76	IR55.76	COVER PLATE (90deg)
11	IR55.11	OIL FILTER KIT	44	IR55.44	FUSE HOLDER	77	IR55.77	FAN COVER
12	IR55.12	FILTER CARTRIDGE	45	IR55.45	FUSE (6x30)16A	78	IR55.78	TURBO DISC
13	IR55.13	FILTER HOUSING	46	IR55.46	CONDENSOR	79	IR55.79	AIR REGULATION DISC
14	IR55.14	TUBE 1/4"FF (L-260MM)	47	IR55.47	TERMINAL BOARD	80	IR55.80	NOZZLE 1.85 GPH80
15	IR55.15	SIDE COVER, RIGHT	48	IR55.48	RELAY	81	IR55.81	NOZZLE SUPPORT
16	IR55.16	BRACKET	49	IR55.49	TERMINAL BOARD	82	IR55.82	ELECTRODE
17	IR55.17	FRAME	50	IR55.50	TRANSFORMER 230V	83	IR55.83	ELECTRODE SUPPORT
18	IR55.18	FRAME KNOB (M8x25)	51	IR55.51	CONTROL BOX	84	IR55.84	FAN THERMOSTAT
19	IR55.19	PLUG 25MM	52	IR55.52	PLATE FOR ELECTRICAL COMPONENTS	85	IR55.85	NUT M14
20	IR55.20	HANDLE	53	IR55.53	STOP BUTTON PROTECTION	86	IR55.86	BURNER FLANGE 102MM
21	IR55.21	HANDLE PLUG	54	IR55.54	SWITCH	87	IR55.87	CABLE PROTECTION 12MM
22	IR55.22	REAR PANEL	55	IR55.55	THERMOSTAT PLUG	88	IR55.88	H.T. CABLE CONNECT. L=1200MM
23	IR55.23	TANK PLUG	56	IR55.56	DRAIN PLUG	89	IR55.89	PROTECTION FOR PHOTOCCELL
24	IR55.24	ELECTRICAL DRAWER SUPPORT	57	IR55.57	SWITCH (ON/OFF)	90	IR55.90	PHOTOCCELL
25	IR55.25	ELECTRICAL DRAWER (COMPLETE)	58	IR55.58	PLUG & WIRE	91	IR55.91	RADIANT CONE (OUTER)
26	IR55.26	FOOT	59	IR55.59	LAMP 230V	92	IR55.92	RADIANT CONE (INNER)
27	IR55.27	FUEL TANK 65ltr	60	IR55.60	MICROPIPE (L-450MM)	93	IR55.93	RADIANT CONE (EXTERNAL)
28	IR55.28	DRAIN PLUG M16x1.5MM	61	IR55.61	NIPPLE 1/8" MM	94	IR55.94	HEATER FILTER COMPLETE
29	IR55.29	O-RING 16x2.62	62	IR55.62	WASHER 1/8" x1.5	95	IR55.95	OIL FILTER KIT
30	IR55.30	WHEEL AXEL	63	IR55.63	SOLENOID VALVE CABLE	96	IR55.96	FILTER CARTRIDGE
31	IR55.31	WASHER 26x44x4	64	IR55.64	PUMP (DANFOSS)	97	IR55.97	SEAL 1.1/4"
32	IR55.32	WHEEL 300-25dia	65	IR55.65	SOLENOID SPOOL (DANFOSS)			
33	IR55.33	WHEEL RETAINER	66	IR55.66	SOLENOID VALVE (DANFOSS)			

NOTE: It is our policy to continually improve products and as such we reserve the right to alter data, specifications and component parts without prior notice.


IMPORTANT: No liability is accepted for incorrect use of product.

WARRANTY: Guarantee is 12 months from purchase date, proof of which will be required for any claim.

INFORMATION: For a copy of our latest catalogue and promotions call us on 01284 757525 and leave your full name and address, including postcode.



Sole UK Distributor,
 Sealey Group, Kempson Way,
 Suffolk Business Park,
 Bury St Edmunds, Suffolk, IP32 7AR

 01284 757500

 01284 703534




www.sealey.co.uk



sales@sealey.co.uk

Get In Touch

 Call: 0845 6880112

 Email: info@adremit.co.uk

Our Address

Puravent, Adremit Limited, Unit 5a, Commercial Yard,
 Settle, North Yorkshire, BD24 9RH