



SYSVRF2 560 AIR EVO HP R

Item no. 316164

Document type: **Product card**

Document date: **2019-06-13**

Generated by: **Systemair Online Catalogue**

Description

Features

- ◆ Wide application area due to incredible piping length and wide operating temperature range.
- ◆ Free modular combination of 3 basic units, up to a total capacity of maximum 270 kW.
- ◆ Top class energy efficiency.
- ◆ DC Inverter Scroll compressor with EVI technology providing wide capacity output from 10% to 100% evenly.
- ◆ Floating refrigerant temperature improves room comfort and system efficiency.
- ◆ All DC fan motors.
- ◆ High performance of the new designed heat exchanger.
- ◆ External static pressure up to 40 Pa (selectable by dip-switch).
- ◆ Automatic refrigerant charge makes the installation and service more easy and quick.
- ◆ Maximum 64 indoor unit connection.
- ◆ Indoor unit combination total capacity index from 50% to 130%.
- ◆ Centralized control, BMS connection and web access potential.



Get In Touch



Call: [0845 6880112](tel:08456880112)



Email: info@adremit.co.uk

Our Address

Puravent, Adremit Limited, Unit 5a, Commercial Yard,
Settle, North Yorkshire, BD24 9RH

Technical parameters

Default group		
Cooling capacity	56000	W
Power Input cooling	16	kW
EER	3,5	W/W
Heating capacity	56000	W
Power Input heating	13,8	kW
COP	4,05	W/W
Voltage	400	V
Frequency	50	Hz
Phase	3	~
Max. current	70	A
Compressor Quantity	1	pcs
Fan Quantity	2	pcs
Air flow	17000	m ³ /h
Refrigerant type	R410A	
X-Refrigerant charge	17	kg
Dimensions (LxHxD)	1340x1635x825	mm
Weight	344	kg
Piping dimension liquid	19,1(3/4")	
Piping dimension gas	31,8(1 1/4")	
max. Quantity indoor Units connection	33	pcs
Operating ambient temperature range cooling	-5-48	°C
Operating ambient temperature range heating	-25-24	°C
Sound data		
Sound pressure level at 1m - outdoor unit	66	dB(A)

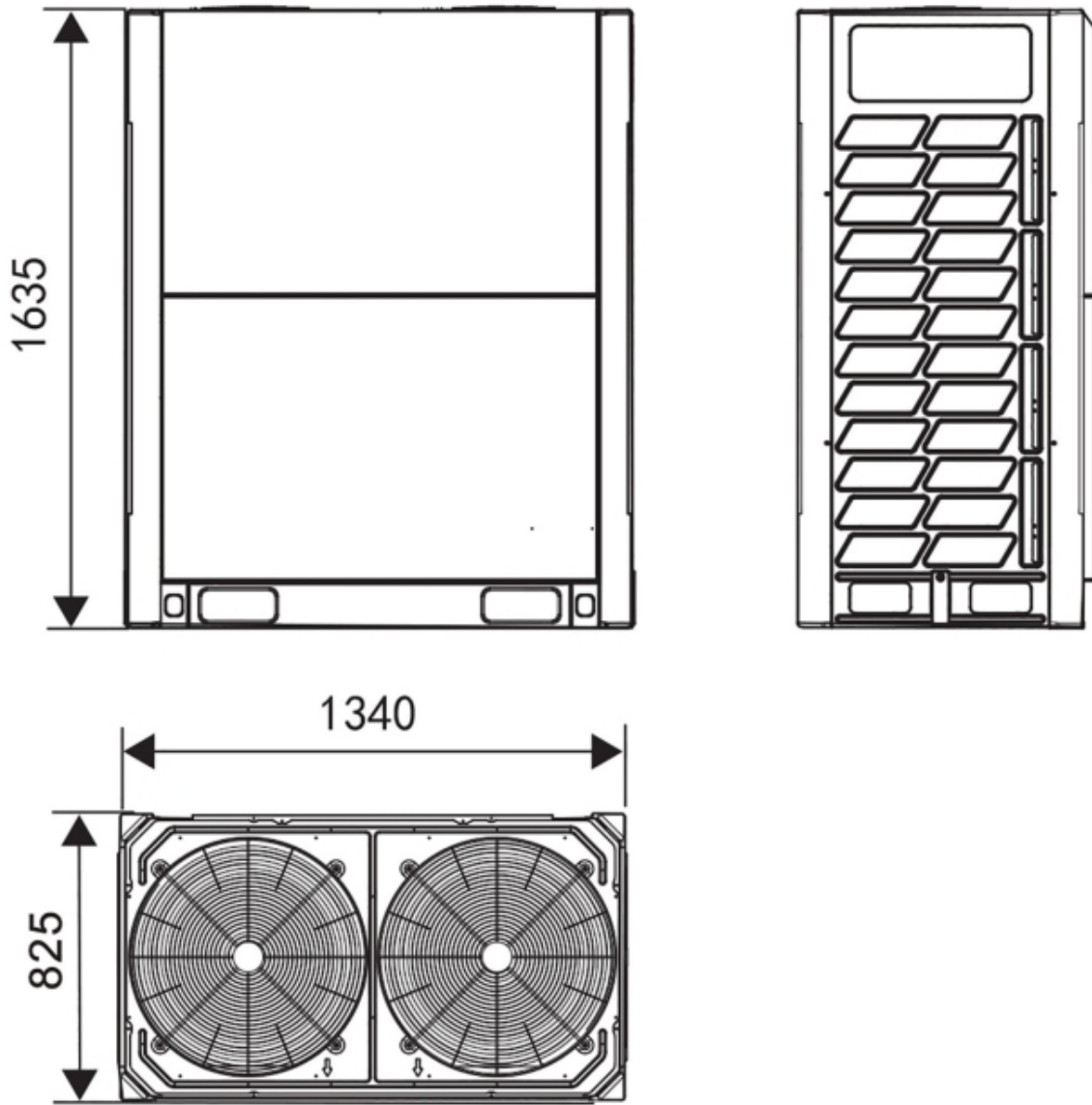
Get In Touch

 **Call:** [0845 6880112](tel:08456880112)
 **Email:** info@adremit.co.uk

Our Address

Puravent, Adremit Limited, Unit 5a, Commercial Yard,
Settle, North Yorkshire, BD24 9RH

Dimensions



Model	560/615
L	1340
H	1635
W	825

Name: SYSVRF2 560 AIR EVO HP R | Item no.: 316164

Document type: Product card | Document date: 2019-06-13 | Generated by: Online catalogue

3 / 4

Get In Touch



Call: [0845 6880112](tel:08456880112)

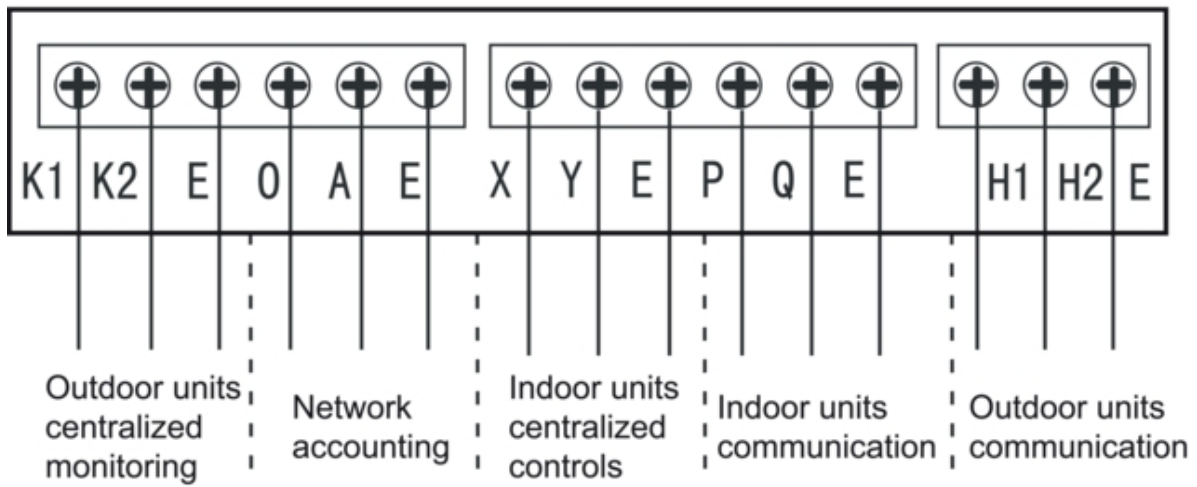
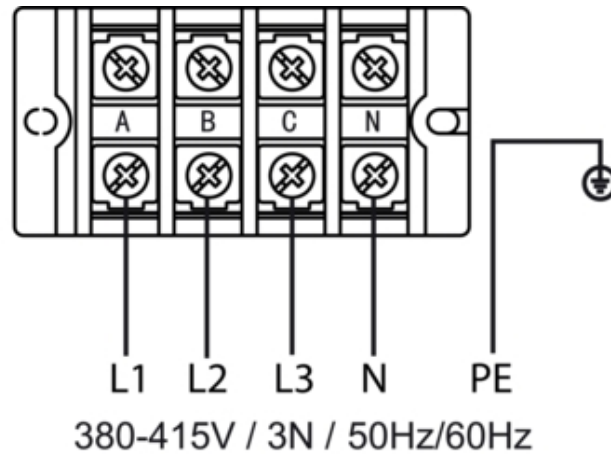


Email: info@adremit.co.uk

Our Address

Puravent, Adremit Limited, Unit 5a, Commercial Yard,
Settle, North Yorkshire, BD24 9RH

Wiring






Accessories

Electric accessories

- [SYSVRF JOINT IN 01 2P \(314149\)](#)
- [SYSVRF JOINT IN 05 2P \(314153\)](#)
- [SYSVRF JOINT IN 03 2P \(314151\)](#)
- [SYSVRF JOINT IN 04 2P \(314152\)](#)
- [SYS GW MODBUS \(316266\)](#)

Documentation

-  [SYSVRF2_IM_EN.pdf \(14,63MB\)](#)
-  [SYSVRF2_OM_EN.pdf \(3,28MB\)](#)
-  [SYSVRF2_Information requirements.pdf \(5,11MB\)](#)

Get In Touch

-  Call: [0845 6880112](tel:08456880112)
-  Email: info@adremit.co.uk

Our Address

Puravent, Adremit Limited, Unit 5a, Commercial Yard,
Settle, North Yorkshire, BD24 9RH