



SYSTEMAIR-E-D CO2 SENSOR

Item no. 14905

Document type: **Product card**
 Document date: **2019-06-19**
 Generated by: **Systemair Online Catalogue**

Description

The Systemair-E-D CO2 sensors are used mainly for demand-controlled ventilation to prevent energy losses from over-ventilation while maintaining indoor air quality.

Wall mount sensors are used to control a specific area such as a conference room, classroom, meeting hall, etc. The Systemair-E series are easy to install and have a clean, modern look that suits most indoor environments.



Technical parameters

Voltage	24 V
Frequency	50/60 Hz
Power consumption	0,7 W
Permitted range for ambient temperature	0-50 °C
Permitted relative humidity, non condensating	0-99 %RH
Working range	0-2000
Enclosure class	50

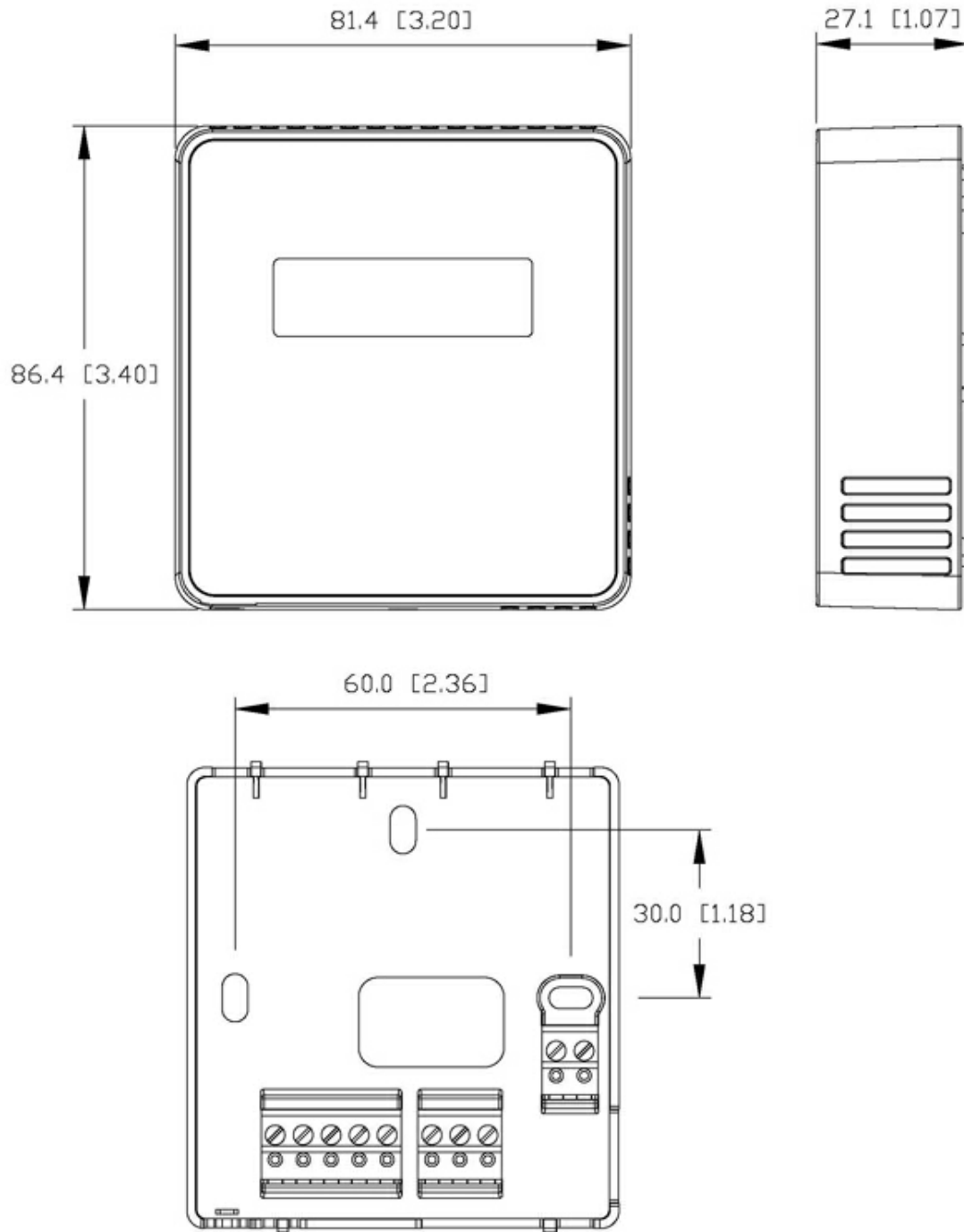
Get In Touch

Call: [0845 6880112](tel:08456880112)
 Email: info@adremit.co.uk

Our Address

Puravent, Adremit Limited, Unit 5a, Commercial Yard,
 Settle, North Yorkshire, BD24 9RH

Dimensions





Name: **SYSTEMAIR-E-D CO2 SENSOR** | Item no.: **14905**

Document type: **Product card** | Document date: **2019-06-19** | Generated by: **Online catalogue**

2 / 3

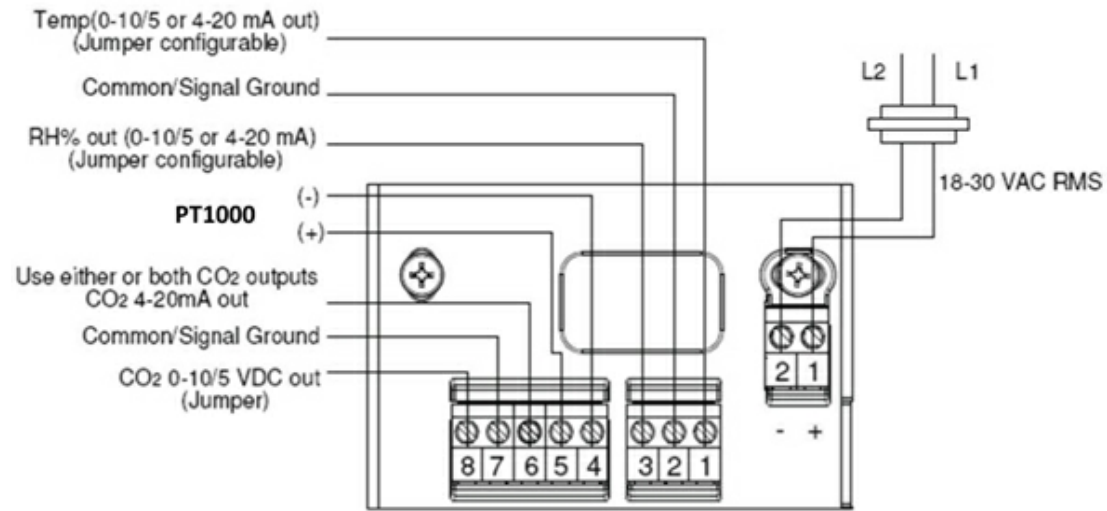
Get In Touch

 Call: [0845 6880112](tel:08456880112)
 Email: info@adremit.co.uk


Our Address

Puravent, Adremit Limited, Unit 5a, Commercial Yard,
Settle, North Yorkshire, BD24 9RH

Wiring



Documentation

 [Systemair-E Installation Manual.pdf](#) (389,06kB)

Specification text

Name: **SYSTEMAIR-E-D CO₂ SENSOR** | Item no.: **14905**

3 / 3

Document type: **Product card** | Document date: **2019-06-19** | Generated by: **Online catalogue**

Get In Touch



Call: [0845 6880112](tel:08456880112)



Email: info@adremit.co.uk

Our Address

Puravent, Adremit Limited, Unit 5a, Commercial Yard,
Settle, North Yorkshire, BD24 9RH