



SWF2 FILTER DETAIL

Item no. 10115

Document type: **Product card**

Document date: **2019-06-19**

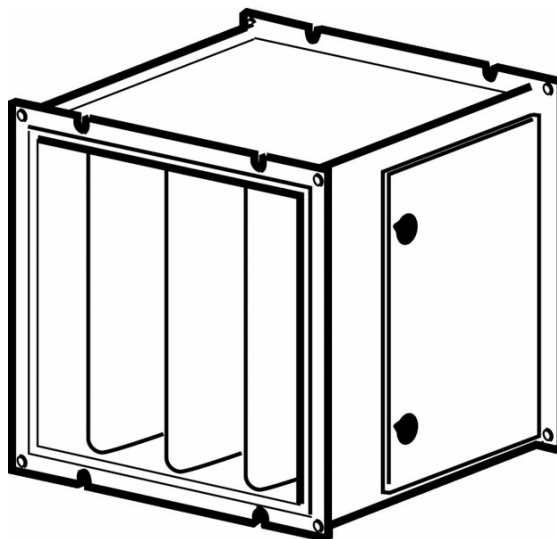
Generated by: **Systemair Online Catalogue**

Description

SWF, filter section

Filters the outdoor air or/and return air from particles that might reduce the performance and reliability of SWH. The disposable deep-pleated bagfilter is a cassette of synthetic material. Filterclass G85 (EU3). The filter section is equipped with filter on delivery.

Note! If the filter section is not used in combination with the mixing cabinet, a return air intake (SWD) is required.



Technical parameters

Unit		
Length	616	mm
Height	602	mm
Depth	524	mm
X-Color	RAL 9016, NCS S 0500-N	W/(l/s)


Accessories

Documentation

 [Wiring diagram, internal PTRP-CBT.pdf \(195,78kB\)](#)

 [Wiring diagram, internal PTRP-TIM.pdf \(167,28kB\)](#)

Get In Touch

 **Call:** [0845 6880112](tel:08456880112)
 **Email:** info@adremit.co.uk

Our Address

Puravent, Adremit Limited, Unit 5a, Commercial Yard,
 Settle, North Yorkshire, BD24 9RH