



SPI-125 C IRIS DAMPER

Item no. 6751

Document type: **Product card**
 Document date: **2019-06-20**
 Generated by: **Systemair Online Catalogue**

Description

Technical details can be found [here](#)

The SPI is an iris damper for measuring and adjusting the air flow. The SPI has the following specifications: low noise level, centrally-formed air flow and fixed test points for precise measurements. The damper also has an adjustment aperture which can be opened completely, which means there is no need for an access door for cleaning. Available in sizes \varnothing 80-800mm.

The damper is manufactured from galvanised sheet steel and is fitted with a rubber seal tested for air-tightness. Permitted ambient temperature is 70 °C.

This device can be used for exhaust air.

Mounting

The SPI adjustment damper must be installed in accordance with the distances required to minimise air-flow deviation. Reducing or enlarging the duct to the next duct size does not require any specified distances for minimising deviation. The SPI enables the taking of precise air-flow measurements at all points including points close to duct deviations such as T junctions and bends, and points in front of other supply-air devices.

Protective distance

- before bends - 1 x D
- after" - 1 x D
- before T-pipes - 3 x D
- after " - 1 x D
- before supply-air devices - 3 x D

Technical parameters

Air tightness class	C
Weight	1,2 kg



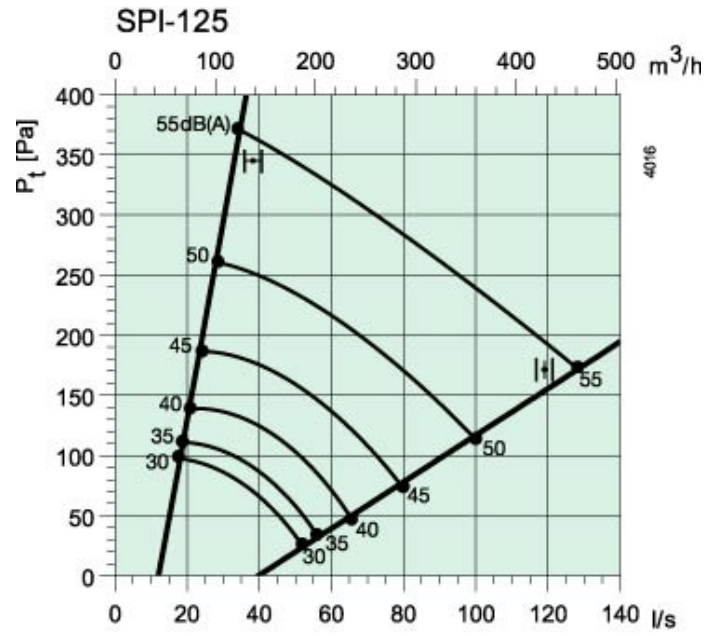
Get In Touch

Call: [0845 6880112](tel:08456880112)
 Email: info@adremit.co.uk

Our Address

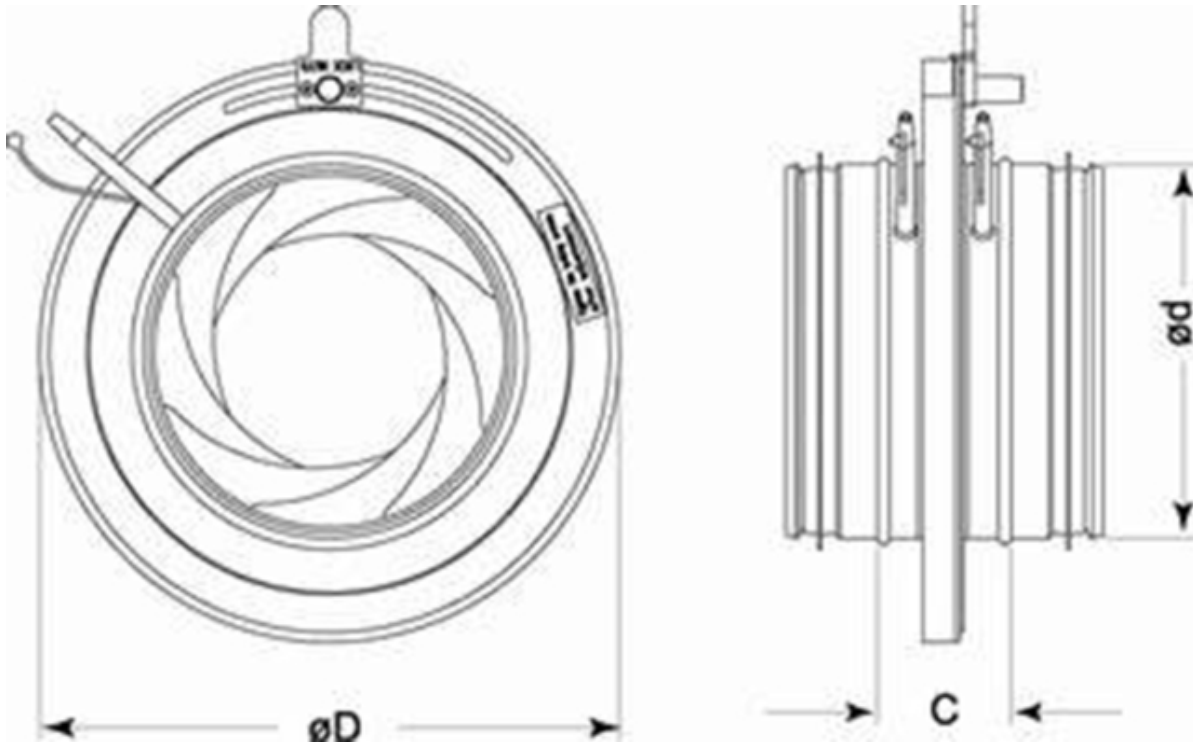
Puravent, Adremit Limited, Unit 5a, Commercial Yard,
 Settle, North Yorkshire, BD24 9RH

Diagram



Mid-frequency band, Hz

Dimensions



Name: **SPI-125 C IRIS DAMPER** | Item no.: **6751**

Document type: **Product card** | Document date: **2019-06-20** | Generated by: **Online catalogue**

Get In Touch

Call: [0845 6880112](tel:08456880112)
 Email: info@adremit.co.uk

Our Address

Puravent, Adremit Limited, Unit 5a, Commercial Yard,
 Settle, North Yorkshire, BD24 9RH

	ød	C	øD
SPI 80	79	58	134
SPI 100	99	48	163
SPI 125	124	50	210
SPI 150	149	50	230
SPI 160	159	52	230
SPI 200	199	58	285
SPI 250	249	90	333
SPI 300	299	56	405
SPI 315	314	90	406
SPI 400	399	90	560
SPI 500	499	90	644
SPI 630	629	90	811
SPI 800	798	70	1015

Accessories

Documentation



SPI_205236_IMO.pdf (424,94kB)



SPI 125.dxf (17,29kB)



BVD Iris damper SPI ID7.pdf (751,37kB)



SPI_K-factor_diagram_20181002.pdf (478,56kB)

Get In Touch



Call: [0845 6880112](tel:08456880112)



Email: info@adremit.co.uk

Our Address

Puravent, Adremit Limited, Unit 5a, Commercial Yard,
Settle, North Yorkshire, BD24 9RH