



SC1/D THRESHOLD MODULE 1 STEP

Item no. 13217


Document type: **Product card**
 Document date: **2019-06-24**
 Generated by: **Systemair Online Catalogue**


Description

SC1/D is a one-stage signal converter which converts a 0...10V DC input signal to a change-over relay function with adjustable switching points. SC1/D can be set for direct or reverse action, i.e. relay activation on rising input voltage or relay activation on falling input voltage.

Documentation

 SC1D_IMO_SE_GB_D_F.pdf (29,95kB)

 SC1_D_I_gb.pdf (57,31kB)

 EC_SC1_D.pdf (47,18kB)



Technical parameters

Other	
Weight	0,15 kg
Item	
Voltage supply	24 VAC
Frequency	50/60 Hz
Power consumption	2 VA
Control signal	0...10 V
Circuit-breaking relay	10 A
Permitted max. ambient humidity [%RH]	90 %RH
Permitted range for ambient temperature	0-50 °C
Enclosure class	IP20
Dimension	
Width	53 mm
Height	85 mm
Depth	74 mm

Accessories

Wiring

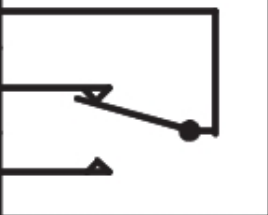
Get In Touch

 Call: [0845 6880112](tel:08456880112)
 Email: info@adremit.co.uk

Our Address

Puravent, Adremit Limited, Unit 5a, Commercial Yard,
 Settle, North Yorkshire, BD24 9RH



1	Sys.neutral	Supply-voltage
2	24V AC in	
3	Not connected	
4		Relay 230V AC, 10A
5		
6		
7	Signal neutral	
8	Input signal 0-10 V DC	
9	Not connected	
10	Not connected	
11	Not connected	
12	Not connected	

Specification text

One-stage signal converter which converts a 0...10V DC input signal to a change-over relay function. Relay activation on rising input voltage or relay activation on falling input voltage.

2 potentiometers for on/off switching points. Can be set to direct or reverse action.

LED for supply voltage on and relay activation.

For DIN rail mounting.

Get In Touch

 **Call:** [0845 6880112](tel:08456880112)
 **Email:** info@adremit.co.uk

Our Address

Puravent, Adremit Limited, Unit 5a, Commercial Yard,
Settle, North Yorkshire, BD24 9RH