



# RVK 315E2 SILEO 1PH/230V

Item no. 37789

Version: 50 Hz

Document type: **Product card**  
 Document date: **2019-06-24**  
 Generated by: **Systemair Online Catalogue**



## Description

- Speed-controllable
- Integral thermal contacts acc. EN 60335-2-80
- Can be installed in any position
- Inclusive mounting bracket
- Maintenance-free and reliable

The RVK sileo series is designed for installation in ducts. The casing is manufactured from PP fibreglass reinforced plastic which gives the fan a less leakage casing. Duct connected wet room applications of the fan are possible due to the air tight casing and the IP 44 rated terminal box. We recommend a period of continued ventilation with dry air for wet room applications. The fans have high effective backward-curved blades (\* BAT with special geometry) and external rotor motors. The FK mounting clamp facilitates easy installation and removal, and prevents the transfer of vibration to the duct. The fans can be speed-controlled via a stepless thyristor or a 5-step transformer. To protect the motor from overheating the models have integrated thermal contacts with manual reset.



## Technical parameters

Nominal data	
Voltage	230 V
Frequency	50 Hz
Phase	1 ~
Input power (P1)	222 W
Current	0,971 A
Max. airflow	0,374 m³/s
R.p.m.	2696 r.p.m.
Capacitor	5 µF
Weight	5,2 kg
Temperature data	
Max. temperature of transported air	70 °C
Max. temperature of transported air when speed-controlled	70 °C
Sound data	
Sound pressure level at 3 m	45 dB(A)

### Get In Touch

Call: [0845 6880112](tel:08456880112)  
 Email: [info@adremit.co.uk](mailto:info@adremit.co.uk)

### Our Address

Puravent, Adremit Limited, Unit 5a, Commercial Yard,  
 Settle, North Yorkshire, BD24 9RH



### Protection / Classification

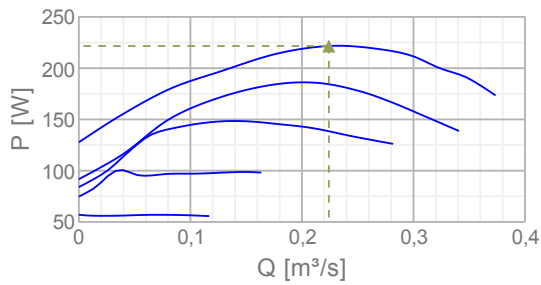
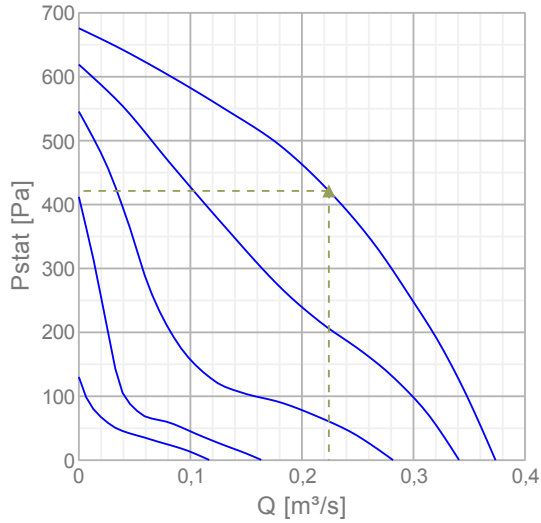
Insulation class	B
Enclosure class, motor	IP44

### ErP

ErP ready	ErP 2016/ErP 2018
-----------	-------------------

## Diagrams

### Diagrams



### Max efficiency

Hydraulic data										
▲ Working air flow	0,224 m³/s									
▲ Working static pressure	421 Pa									
▲ Power	222 W									
Speed	2697 r.p.m.									
Current	0,97 A									
SFP	0,989 W/(l/s)									
Voltage	230 V									
Sound power level		63	125	250	500	1k	2k	4k	8k	Tot
Inlet	dB(A)	52	60	59	62	65	63	59	53	70
Outlet	dB(A)	57	52	65	60	65	65	59	54	71
Surrounding	dB(A)	28	31	42	48	46	42	35	31	52

Name: **RVK 315E2 SILEO 1PH/230V** | Item no.: **37789** | Version: **50 Hz**

2 / 5

Document type: **Product card** | Document date: **2019-06-24** | Generated by: **Online catalogue**

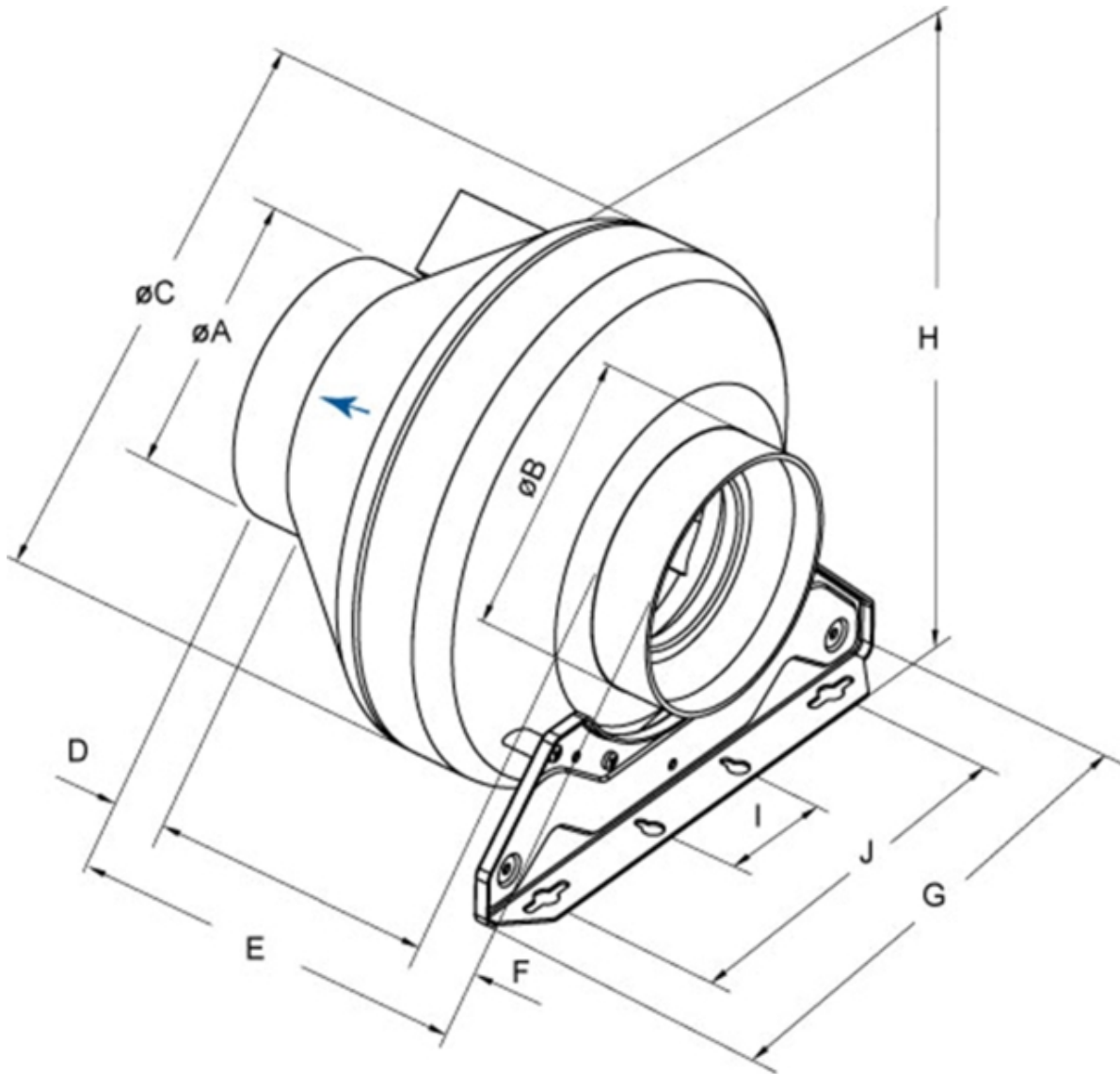
### Get In Touch

Call: [0845 6880112](tel:08456880112)  
 Email: [info@adremit.co.uk](mailto:info@adremit.co.uk)

### Our Address

Puravent, Adremit Limited, Unit 5a, Commercial Yard,  
 Settle, North Yorkshire, BD24 9RH

Dimensions



	øA	øB	øC	D	E	F	G	H	I	J
RVK 315	314	314	405	28	265	30	272	430	60	200

Get In Touch

Call: [0845 6880112](tel:08456880112)  
 Email: [info@adremit.co.uk](mailto:info@adremit.co.uk)

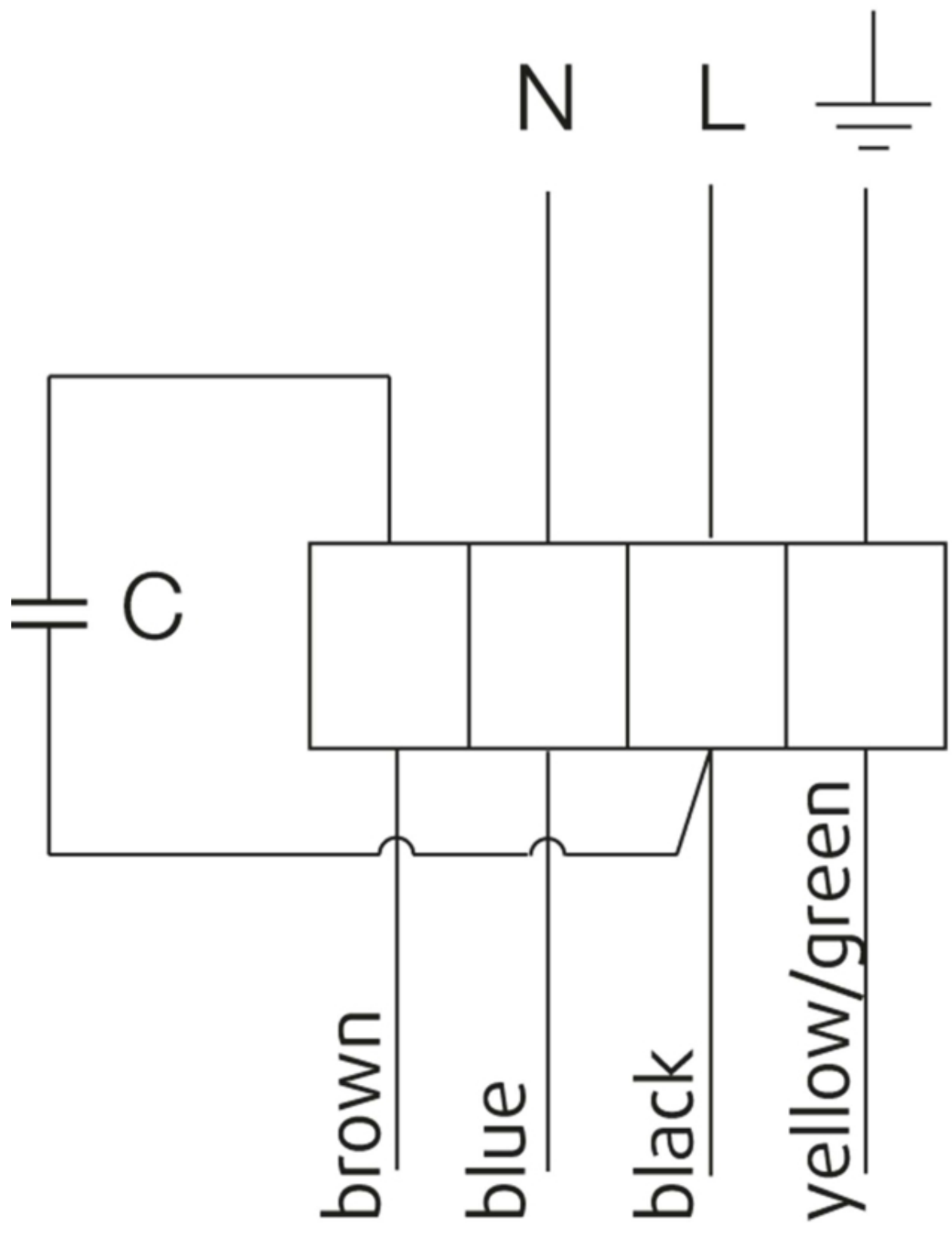
Our Address

Puravent, Adremit Limited, Unit 5a, Commercial Yard,  
 Settle, North Yorkshire, BD24 9RH



Wiring

230V 1~



Get In Touch

Call: [0845 6880112](tel:08456880112)  
 Email: [info@adremit.co.uk](mailto:info@adremit.co.uk)

Our Address

Puravent, Adremit Limited, Unit 5a, Commercial Yard,  
Settle, North Yorkshire, BD24 9RH



## Accessories

### Electric accessories

[RE 1.5 Speed control \(5000\)](#)  
[REU 1.5 Speed control \(5004\)](#)  
[REE 1 Speed control \(5314\)](#)  
[STL 1.5 Speed controller \(84251\)](#)  
[REV-3POL/03 ON/OFF \(33978\)](#)  
[FRQS-E-6A \(37419\)](#)  
[FRQ5S-E-6A \(37421\)](#)

### Accessories

[CB 315-9,0 400V/3 Duct heater \(5375\)](#)  
[CB 315-3,0 230V/1 Duct heater \(5386\)](#)  
[CB 315-12,0 400V/3 Duct heater \(5387\)](#)  
[CBM 315-9,0 400V/3 Duct heater \(5485\)](#)  
[VBF 315 Water heating battery \(1734\)](#)  
[CWK 315-3-2.5 Duct cooler circ \(30025\)](#)  
[VBC 315-2 Water heating batt \(5461\)](#)  
[LDC 315-900 Silencer \(5197\)](#)  
[FFR 315 Filter cassette \(1779\)](#)  
[FGR 315 Filter cassette \(1818\)](#)  
[FK 315 Fast clamp \(1613\)](#)  
[VKK-315 Back draft damper \(1628\)](#)  
[RSK-315 Back draft damper \(5604\)](#)  
[SG 315 Protection guard \(5611\)](#)  
[VBC 315-3 Water heating batt \(9844\)](#)  
[CB 315-6,0 400V/2 Duct heater \(5374\)](#)

## Documentation



[manual\\_rvk\\_en\\_002.pdf \(3,32MB\)](#)



[eu declaration of conformity\\_rvk\\_en\\_001.pdf \(47,90kB\)](#)



[rvk315\\_kpl.dxf \(387,62kB\)](#)



[PP compound \(30% glass fibre content\).pdf \(133,21kB\)](#)

### Get In Touch



Call: [0845 6880112](tel:08456880112)



Email: [info@adremit.co.uk](mailto:info@adremit.co.uk)

### Our Address

Puravent, Adremit Limited, Unit 5a, Commercial Yard,  
Settle, North Yorkshire, BD24 9RH