



RVK 125E2-L SILEO 1PH/230V

Item no. 30331

Version: 50 Hz

Document type: **Product card**
 Document date: **2019-06-24**
 Generated by: **Systemair Online Catalogue**



Description

- Speed-controllable
- Integral thermal contacts acc. EN 60335-2-80
- Can be installed in any position
- Inclusive mounting bracket
- Maintenance-free and reliable

The RVK sileo series is designed for installation in ducts. The casing is manufactured from PP fibreglass reinforced plastic which gives the fan a less leakage casing. Duct connected wet room applications of the fan are possible due to the air tight casing and the IP 44 rated terminal box. We recommend a period of continued ventilation with dry air for wet room applications. The fans have high effective backward-curved blades (* BAT with special geometry) and external rotor motors. The FK mounting clamp facilitates easy installation and removal, and prevents the transfer of vibration to the duct. The fans can be speed-controlled via a stepless thyristor or a 5-step transformer. To protect the motor from overheating the models have integrated thermal contacts with manual reset.



Technical parameters

Nominal data	
Voltage	230 V
Frequency	50 Hz
Phase	1 ~
Input power (P1)	58,8 W
Current	0,257 A
Max. airflow	0,0898 m³/s
R.p.m.	2494 r.p.m.
Capacitor	2 µF
Weight	2,2 kg
Temperature data	
Max. temperature of transported air	70 °C
Max. temperature of transported air when speed-controlled	70 °C
Sound data	
Sound pressure level at 3 m	43 dB(A)

Get In Touch

Call: [0845 6880112](tel:08456880112)
 Email: info@adremit.co.uk

Our Address

Puravent, Adremit Limited, Unit 5a, Commercial Yard,
 Settle, North Yorkshire, BD24 9RH



Protection / Classification

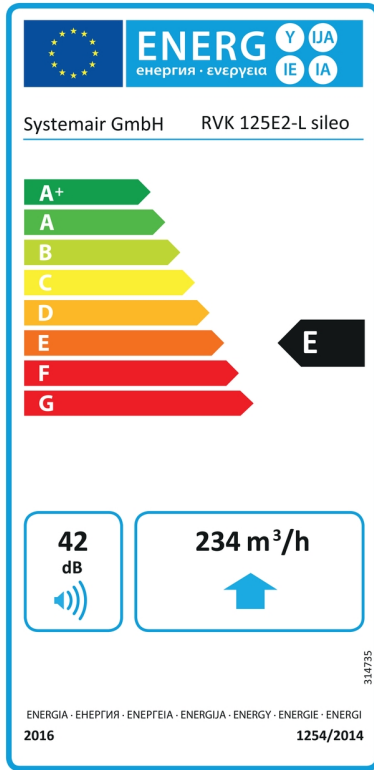
Insulation class	B
Enclosure class, motor	IP44

ErP

Energy class, basic unit	E
Energy class, basic unit option	C
ErP ready	ErP 2016/ErP 2018

Energy class label

Energy class, basic unit



Name: **RVK 125E2-L SILEO 1PH/230V** | Item no.: **30331** | Version: **50 Hz**

Document type: **Product card** | Document date: **2019-06-24** | Generated by: **Online catalogue**

2 / 6

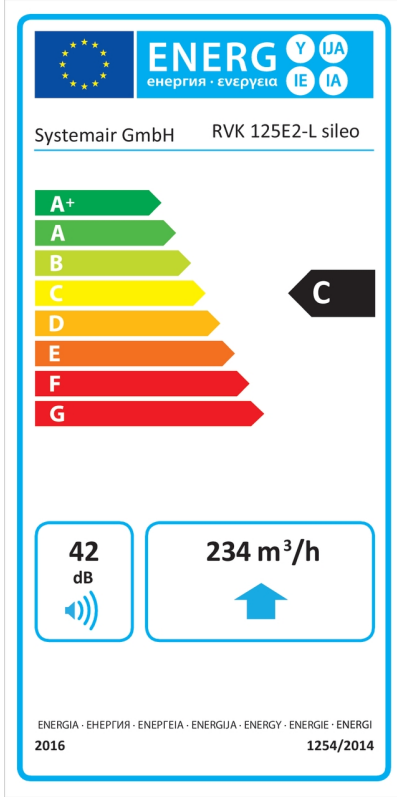
Get In Touch

Call: [0845 6880112](tel:08456880112)
Email: info@adremit.co.uk

Our Address

Puravent, Adremit Limited, Unit 5a, Commercial Yard,
Settle, North Yorkshire, BD24 9RH

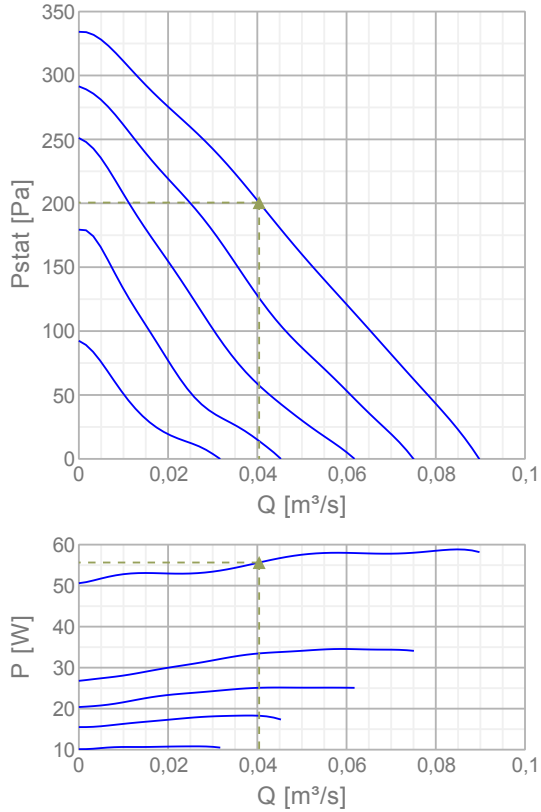
Energy class, unit with local demand control



EPS diagrams

Diagrams

Diagrams



Name: **RVK 125E2-L SILEO 1PH/230V** | Item no.: **30331** | Version: **50 Hz**

Document type: **Product card** | Document date: **2019-06-24** | Generated by: **Online catalogue**

Get In Touch

Call: [0845 6880112](tel:08456880112)
Email: info@adremit.co.uk

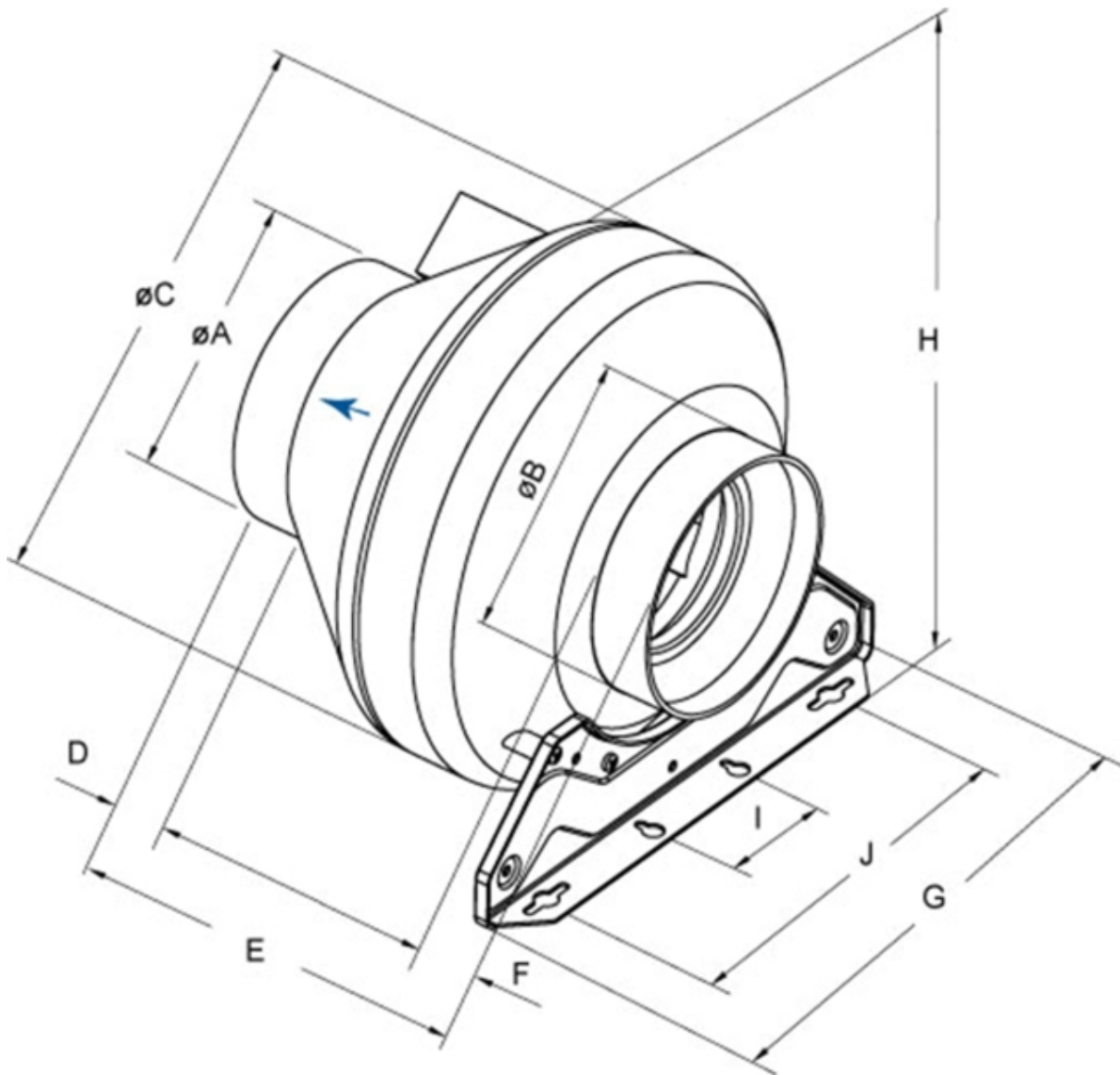
Our Address

Puravent, Adremit Limited, Unit 5a, Commercial Yard,
Settle, North Yorkshire, BD24 9RH

Max efficiency

Hydraulic data										
▲ Working air flow										0,0404 m ³ /s
▲ Working static pressure										201 Pa
▲ Power										55,6 W
Speed										2551 r.p.m.
Current										0,246 A
SFP										1,38 W/(l/s)
Voltage										230 V
Sound power level		63	125	250	500	1k	2k	4k	8k	Tot
Inlet	dB(A)	45	58	63	62	60	57	51	41	68
Outlet	dB(A)	52	58	62	61	57	54	49	39	67
Surrounding	dB(A)	12	25	32	43	46	46	36	24	50

Dimensions



	øA	øB	øC	D	E	F	G	H	I	J
RVK 125	124	124	251	30	233	30	272	265	60	200

Name: **RVK 125E2-L SILEO 1PH/230V** | Item no.: **30331** | Version: **50 Hz**

Document type: **Product card** | Document date: **2019-06-24** | Generated by: **Online catalogue**

4 / 6

Get In Touch

Call: [0845 6880112](tel:08456880112)
 Email: info@adremit.co.uk

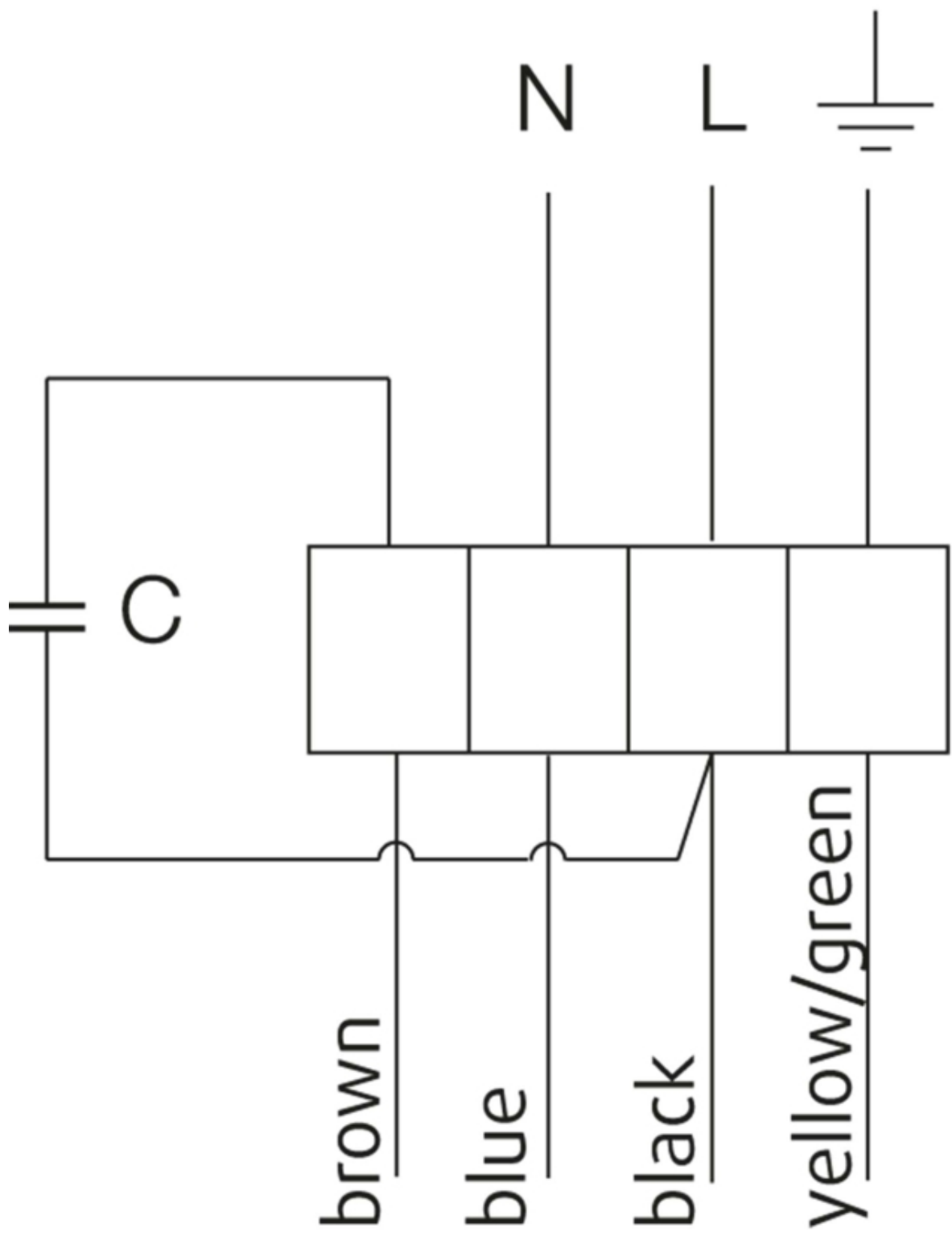
Our Address

Puravent, Adremit Limited, Unit 5a, Commercial Yard,
 Settle, North Yorkshire, BD24 9RH



Wiring

230V 1~



Name: **RVK 125E2-L SILEO 1PH/230V** | Item no.: **30331** | Version: **50 Hz**
Document type: **Product card** | Document date: **2019-06-24** | Generated by: **Online catalogue**

Get In Touch

Call: [0845 6880112](tel:08456880112)
 Email: info@adremit.co.uk

Our Address

Puravent, Adremit Limited, Unit 5a, Commercial Yard,
Settle, North Yorkshire, BD24 9RH



Accessories

Electric accessories

[RE 1.5 Speed control \(5000\)](#)

[REU 1.5 Speed control \(5004\)](#)

[REE 1 Speed control \(5314\)](#)

[STL 1.5 Speed controller \(84251\)](#)

[REV-3POL/03 ON/OFF \(33978\)](#)

[FRQS-E-6A \(37419\)](#)

[FRQ5S-E-6A \(37421\)](#)

Accessories

[CB 125-0,6 230V/1 Duct heater \(5289\)](#)

[CB 125-1,2 230V/1 Duct heater \(5290\)](#)

[CB 125-1,8 230V/1 Duct heater \(5377\)](#)

[CBM 125-1,2 230V/1 Duct heater \(5480\)](#)

[VBF 125 Water heating battery \(1730\)](#)

[CWK 125-3-2,5 Duct cooler circ \(30021\)](#)

[VBC 125-2 Water heating batt \(5457\)](#)

[LDC 125-600 Silencer \(5190\)](#)

[LDC 125-900 Silencer \(5191\)](#)

[FFR 125 Filter cassette \(1768\)](#)

[FGR 125 Filter cassette \(1804\)](#)

[FK 125 Fast clamp \(1608\)](#)

[VKK-125 Back draft damper \(1624\)](#)

[IGK-125 Wall Grid \(1631\)](#)

[RSK-125 Back draft damper \(5598\)](#)

[SG 125 Protection guard \(5607\)](#)

[LDC 125-1200 Silencer \(5997\)](#)

[VBC 125-3 Water heating batt \(9839\)](#)

Documentation



[manual_rvk_en_002.pdf \(3,32MB\)](#)



[PP compound \(30% glass fibre content\).pdf \(133,21kB\)](#)



[eu declaration of conformity_rvk_en_001.pdf \(47,90kB\)](#)



[rvk125_kpl.dxf \(261,78kB\)](#)

Specification text

RVK 250E2-XL Circular duct fan made of plastic. DN 250, 230V/50Hz, 1~, plastic casing Circular duct fan for easy and direct installation in ducts. The casing is manufactured from polyamide with 10% glass fibre content. Circular connection spigot, length 25mm, acc. to EN1506:1997 Free-running, backward curved centrifugal impeller made of plastic. Balancing made to G 6.3, motor compl. with impeller statically and dynamically balanced in two planes acc. to DIN ISO 1940 T.1. Voltage controllable external rotor motor, maintenance-free, the motor is placed inside the air flow for cooling. Integral thermal contacts with manual reset acc. to EN 60335-2-80, speed-controlled via a 5-step transformer or a stepless thyristor. Silent, long-life ball bearings. Terminal box on the casing Mounting bracket included in delivery (unmounted). For indoor installation. Installation in any mounting position. PRODUCT: SYSTEMAIR TYPE: RVK 250E2-XL Item no. 30901

Get In Touch



Call: [0845 6880112](tel:08456880112)



Email: info@adremit.co.uk

Our Address

Puravent, Adremit Limited, Unit 5a, Commercial Yard,
Settle, North Yorkshire, BD24 9RH