



RVK 100E2 SILEO 1PH/230V

Item no. 5755

Document type: **Product card**

Document date: **2019-06-24**

Generated by: **Systemair Online Catalogue**

Description

- Speed-controllable
- Integral thermal contacts
- Can be installed in any position
- Inclusive mounting bracket
- Maintenance-free and reliable

The RVK series is designed for installation in ducts. The casing is manufactured from PA6 fibreglass reinforced plastic which gives the fan a less leakage casing. Duct connected wet room applications of the fan are possible due to the air tight casing and the IP 44 rated terminal box. The fans have backward-curved blades and external rotor motors. The FK mounting clamp facilitates easy installation and removal, and prevents the transfer of vibration to the duct. The fans can be speed-controlled via a stepless thyristor or a 5-step transformer. The RVK fans have integral thermal contacts with automatic reset.



Get In Touch



Call: [0845 6880112](tel:08456880112)

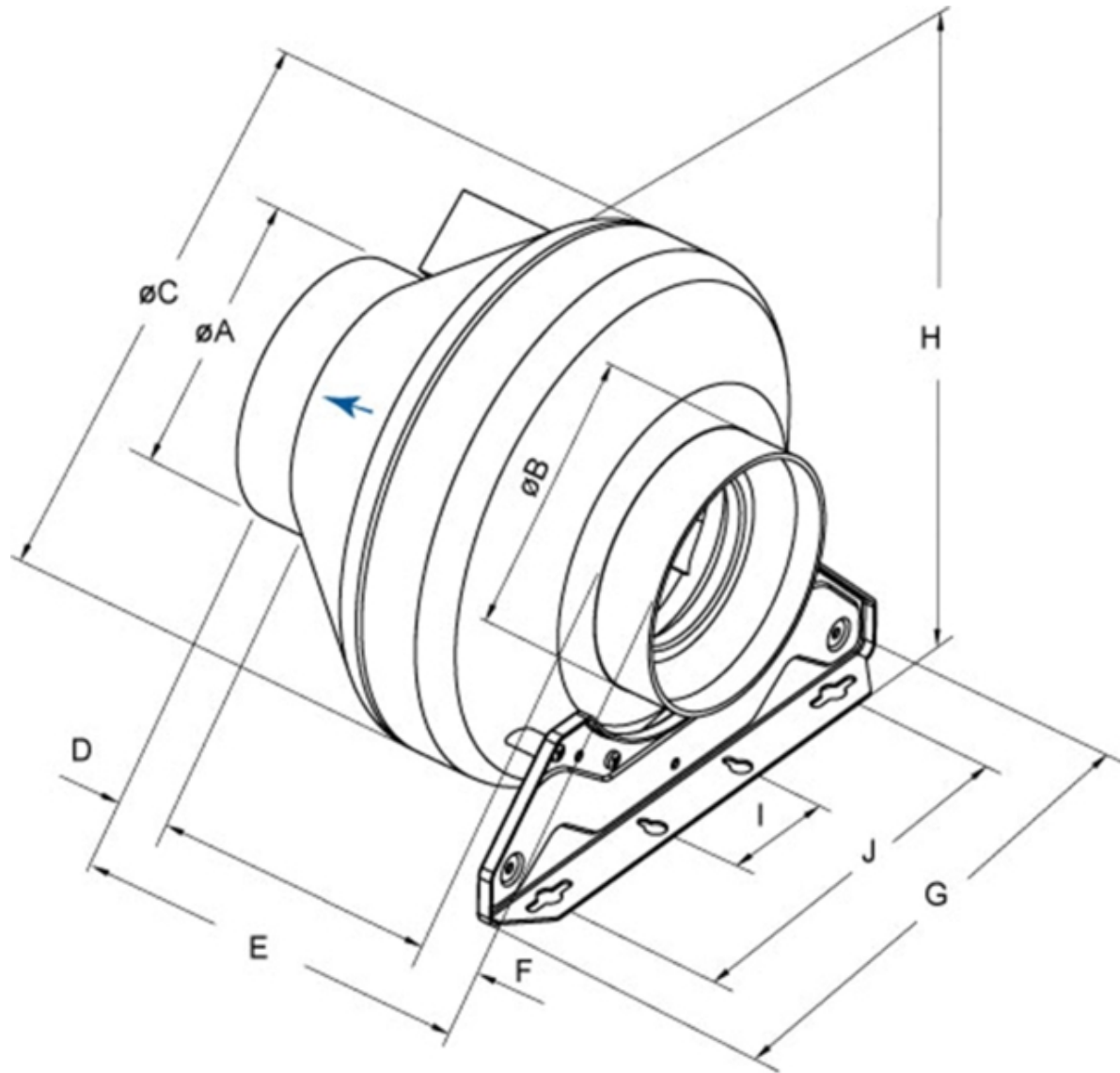


Email: info@adremit.co.uk

Our Address

Puravent, Adremit Limited, Unit 5a, Commercial Yard,
Settle, North Yorkshire, BD24 9RH

Dimensions





	øA	øB	øC	D	E	F	G	H	I	J
RVK 100	99	99	251	30	237,5	30	272	265	60	200

Name: **RVK 100E2 SILEO 1PH/230V** | Item no.: **5755**

Document type: **Product card** | Document date: **2019-06-24** | Generated by: **Online catalogue**

2 / 4

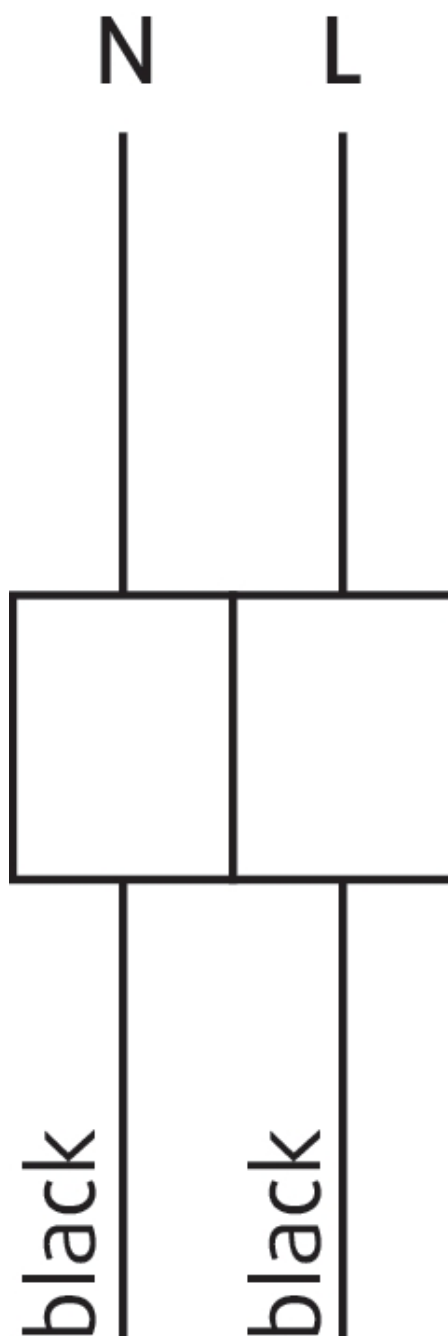
Get In Touch

 Call: [0845 6880112](tel:08456880112)
 Email: info@adremit.co.uk

Our Address

Puravent, Adremit Limited, Unit 5a, Commercial Yard,
Settle, North Yorkshire, BD24 9RH

230V 1~



Accessories

Electric accessories

[RE 1.5 Speed control \(5000\)](#)

[REU 1.5 Speed control \(5004\)](#)

[REE 1 Speed control \(5314\)](#)

[STL 1.5 Speed controller \(84251\)](#)

[REV-3POL/03 ON/OFF \(33978\)](#)

[FRQS-E-6A \(37419\)](#)

[FRQ5S-E-6A \(37421\)](#)

Get In Touch

 **Call:** [0845 6880112](tel:08456880112)
 **Email:** info@adremit.co.uk

Our Address

Puravent, Adremit Limited, Unit 5a, Commercial Yard,
Settle, North Yorkshire, BD24 9RH

Accessories

[CB 100-0,4 230V/1 Duct heater \(5288\)](#)
[CB 100-0,6 230V/1 Duct heater \(5376\)](#)
[CBM 100-0,6 230V/1 Duct heater \(5479\)](#)
[VBF 100 Water heating battery \(1724\)](#)
[CWK 100-3-2,5 Duct cooler,circ \(30019\)](#)
[VBC 100-2 Water heating batt \(5456\)](#)
[LDC 100-600 Silencer \(5188\)](#)
[LDC 100-900 Silencer \(5189\)](#)
[FFR 100 Filter cassette \(1766\)](#)
[FGR 100 Filter cassette \(1802\)](#)
[FK 100 Fast clamp \(1607\)](#)
[VKK-100 Back draft damper \(1623\)](#)
[IGK-100 Wall Grid \(1630\)](#)
[RSK-100 Back draft damper \(5597\)](#)
[SG 100 Protection guard \(5606\)](#)
[LDC 100-1200 Silencer \(5996\)](#)
[VBC 100-3 Water heating batt \(9838\)](#)

Documentation



manual_rvk_en_002.pdf (3,32MB)



PP compound (30% glass fibre content).pdf (133,21kB)



eu declaration of conformity_rvk_en_001.pdf (47,90kB)



rvk100_sileo_kpl.dxf (72,24kB)

Specification text

The Circular duct fan is reliable in operation and maintenance- free. The box consists of fibre- glass reinforced plastics (polyamide with 15% fibre glass share) with integrated support for arming the provided fixing bracket. The fan has a freewheeling radial impeller with backwards-curved impeller vane. The actuation is carried out by a maintenance- free, speed- controlled external rotor motor. Through dropping the tension, the fans can be speed- controlled with the help of a stepless thyristor or a 5- step transformer. The RVK fans have integral thermal contacts with reset device according to EN 60335-2-80 for protecting the engine. For annealing the engine is designed inside the air flow. Completely with the impeller in two levels the engine is statically and dynamically weighed heavy according DIN ISO 1940. The provided standard connecting collar of the FK - mounting clamps assures an easy assembling and disassembling and avoids the transmission of vibration to the piping system.

Name: **RVK 100E2 SILEO 1PH/230V** | Item no.: **5755**

Document type: **Product card** | Document date: **2019-06-24** | Generated by: **Online catalogue**

4 / 4

Get In Touch



Call: [0845 6880112](tel:08456880112)



Email: info@adremit.co.uk

Our Address

Puravent, Adremit Limited, Unit 5a, Commercial Yard,
Settle, North Yorkshire, BD24 9RH