



# RS 70-40 L1 SILEO

Item no. 79388

Document type: **Product card**  
 Document date: **2019-06-25**  
 Generated by: **Systemair Online Catalogue**



## Description

- Speed-controllable
- Integral thermal contacts
- Can be installed in any position
- Maintenance-free and reliable

The RS models have impellers with backward-curved blades and external rotor motors. The motor and impeller are mounted on the access cover to facilitate easy maintenance. To protect the motor from overheating the RS has integral thermal contacts with external leads for connection to a motor protection device. The fan can be installed in any position and is easy to connect using the DS flexible connections. The casing is manufactured from galvanised sheet steel.



## Technical parameters

Nominal data		
Voltage	230	V
Frequency	50	Hz
Phase	1	~
Input power (P1)	480	W
Current	2,21	A
Max. airflow	1,19	m³/s
R.p.m.	1329	r.p.m.
Capacitor	12	µF
Weight	34,2	kg
Temperature data		
Max. temperature of transported air	70	°C
Max. temperature of transported air when speed-controlled	70	°C
Sound data		
Sound pressure level at 3 m	54,1	dB(A)

### Get In Touch

Call: [0845 6880112](tel:08456880112)  
 Email: [info@adremit.co.uk](mailto:info@adremit.co.uk)

### Our Address

Puravent, Adremit Limited, Unit 5a, Commercial Yard,  
 Settle, North Yorkshire, BD24 9RH



### Protection / Classification

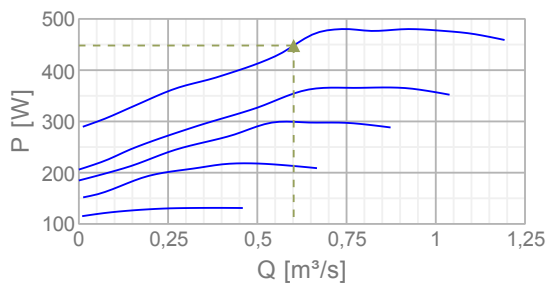
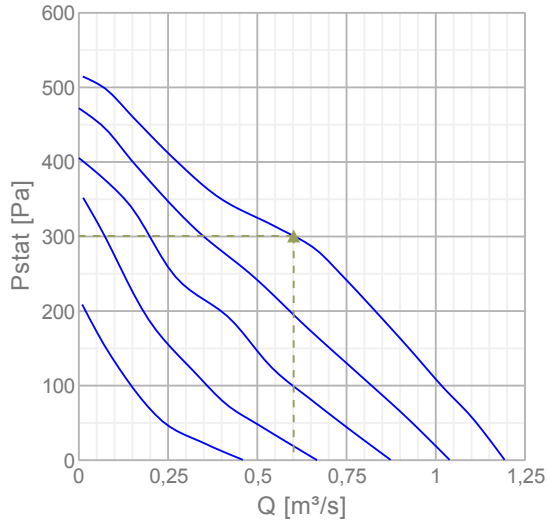
Insulation class	F
Enclosure class, motor	IP54

### ErP

ErP ready	ErP 2018
-----------	----------

## Diagrams

### Diagrams



### Max efficiency

Hydraulic data										
▲ Working air flow	0,602 m³/s									
▲ Working static pressure	301 Pa									
▲ Power	448 W									
Speed	1347 r.p.m.									
Current	2,07 A									
SFP	0,744 W/(l/s)									
Voltage	230 V									
Sound power level		63	125	250	500	1k	2k	4k	8k	Tot
Inlet	dB(A)	58	68	64	66	65	63	57	49	73
Outlet	dB(A)	62	69	70	71	72	68	62	53	78
Surrounding	dB(A)	40	59	56	51	50	45	38	33	61

Name: **RS 70-40 L1 SILEO** | Item no.: **79388**

2 / 5

Document type: **Product card** | Document date: **2019-06-25** | Generated by: **Online catalogue**

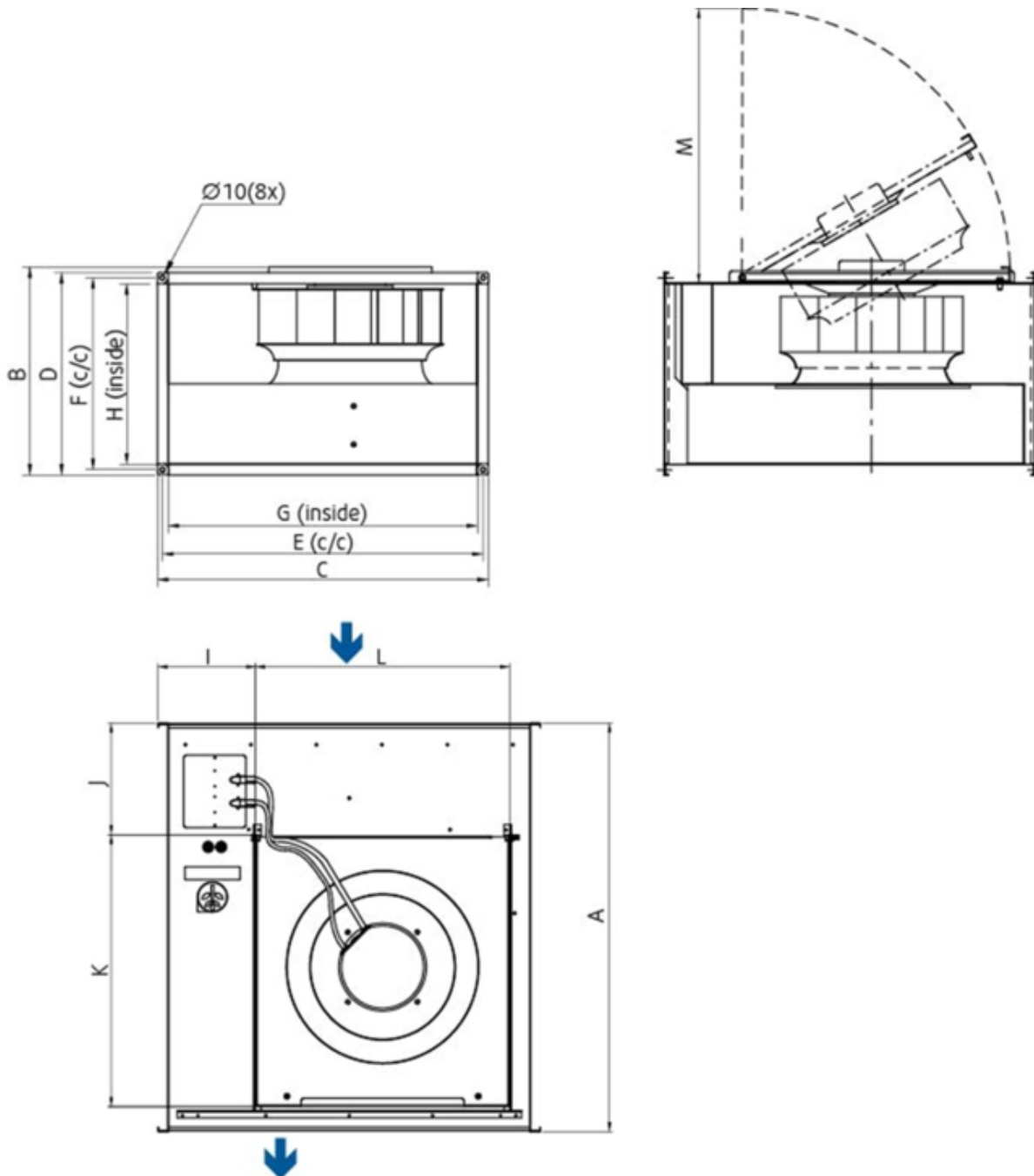
### Get In Touch

 **Call:** [0845 6880112](tel:08456880112)  
 **Email:** [info@adremit.co.uk](mailto:info@adremit.co.uk)

### Our Address

Puravent, Adremit Limited, Unit 5a, Commercial Yard,  
Settle, North Yorkshire, BD24 9RH

## Dimensions



RS EC/AC	A	B	C	D	E	F	G	H	I	J	K	L	M
70-40	787	465	740	440	720	420	698	398	189	215	524	491	518
80-50	882	580	840	541	820	520	798	498	182,5	191	644	614	638
100-50	982	580	1040	540	1020	520	998	498	287	260	684	634	678

Name: **RS 70-40 L1 SILEO** | Item no.: **79388**

Document type: **Product card** | Document date: **2019-06-25** | Generated by: **Online catalogue**

3 / 5

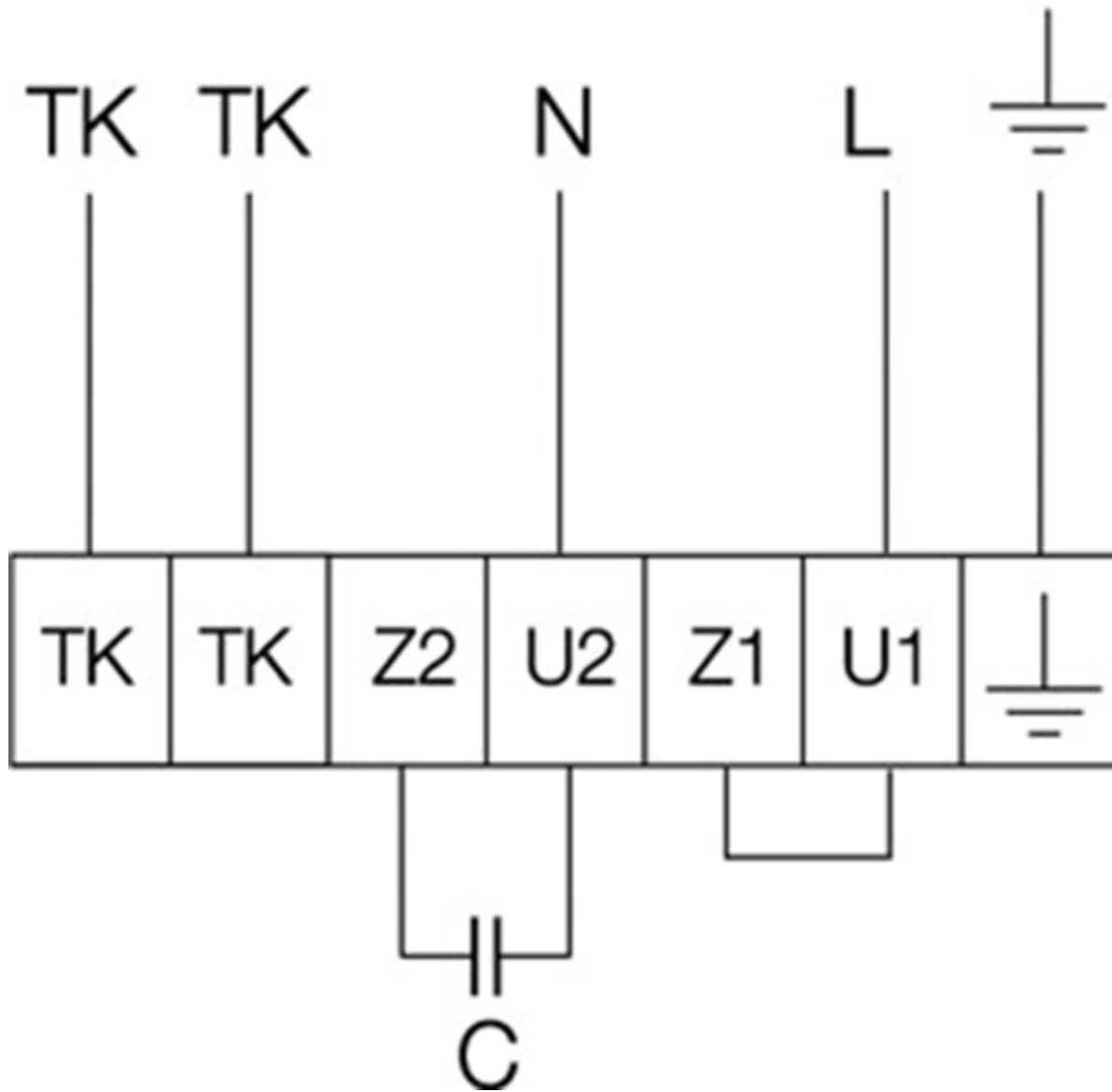
### Get In Touch

Call: [0845 6880112](tel:08456880112)  
 Email: [info@adremit.co.uk](mailto:info@adremit.co.uk)

### Our Address

Puravent, Adremit Limited, Unit 5a, Commercial Yard,  
 Settle, North Yorkshire, BD24 9RH

230V 1~



**Accessories**

**Electric accessories**

- [REU 3 Speed control \(5005\)](#)
- [RTRE 3 Speed control \(5009\)](#)
- [REE 4 Speed control \(5317\)](#)
- [REPT 6 Digital regulator \(5698\)](#)
- [RT 0-30 Room Thermostat \(5151\)](#)
- [S-ET 10 Motor Protection \(5154\)](#)
- [S-ET 10E Motor Protection \(5155\)](#)
- [CO2RT-R-D Transmitter \(6993\)](#)
- [Presence detector/IR24-P \(6995\)](#)
- [RETP 6 Temp/Pressure regulator \(32293\)](#)
- [DTV200 \(6261\)](#)
- [STL 5 Speed controller \(84271\)](#)
- [REV-5POL/05 ON/OFF \(33979\)](#)
- [DTV500A \(96807\)](#)

**Get In Touch**

 **Call:** [0845 6880112](tel:08456880112)  
 **Email:** [info@adremmit.co.uk](mailto:info@adremmit.co.uk)

**Our Address**

Puravent, Adremmit Limited, Unit 5a, Commercial Yard,  
 Settle, North Yorkshire, BD24 9RH

## Accessories

[RBM 70-40/27 400V/3 Duct heater \(5455\)](#)

[PGK 70-40-3-2,0 Duct cooler \(6616\)](#)

[VBR 70-40-2 Water heating batt \(5468\)](#)

[VBR 70-40-3 Water heating batt \(5476\)](#)

[LDR 70-40 Silencer \(5074\)](#)

[FFK 70-40 Filter cassette rect \(1762\)](#)

[DS 70-40 Flexible connection \(1551\)](#)

[GFL 70-40 Counter flange \(2710\)](#)

[VK-70-40 Louvre shutter \(5652\)](#)

[DXRE 70-40-3-2,5 Duct cooler \(7957\)](#)

[RB 70-40/27-2 400V/3 Duct heat \(9645\)](#)

[RB 70-40/45-3 400V/3 Duct heat \(9646\)](#)

[RKT-SYS-700x400-S \(43636\)](#)

[RK-SYS-700x400-R \(43648\)](#)

[RK-SYS-700x400-S \(43657\)](#)

## Documentation



202341\_Fans\_Instructions\_CE\_A010.pdf (1,83MB)

### Get In Touch



Call: [0845 6880112](tel:08456880112)



Email: [info@adremit.co.uk](mailto:info@adremit.co.uk)

### Our Address

Puravent, Adremit Limited, Unit 5a, Commercial Yard,  
Settle, North Yorkshire, BD24 9RH