



RS 70-40 EC SILEO

Item no. 92930



Description

- EC-motors, high level of efficiency
- 100% speed controllable
- Integrated motor protection
- Can be installed in any position
- Potentiometer included for easy commissioning

The RSI models are thermally and acoustically insulated with 50mm mineral wool and perforated sheet steel on the inner surface. This gives a quiet running with many installation possibilities.

The RS/RSI EC series have impellers with backward-curved blades and are fitted to EC external rotor motors. These fans have a high capacity in relation to their compact design. The fans are delivered with a pre-wired potentiometer (0-10V) which allows you to easily find the desired working point.

EC fans are notable for their economical use of energy and excellent ease of control. They can be varied in speed to match the airflow demand, and operate at high efficiency levels. For the same air volume, they consume distinctly less energy than AC fan drives.

Motor protection is integrated in the electronics of the motor. The casing is manufactured from galvanized sheet steel.



Technical parameters

Nominal data		
Voltage	230	V
Frequency	50/60	Hz
Phase	1	~
Input power (P1)	653	W
Current	2,95	A
Max. airflow	1,45	m³/s
R.p.m.	1578	r.p.m.
Weight	33,4	kg
Temperature data		
Max. temperature of transported air	60	°C
Sound data		
Sound pressure level at 3 m	57,8	dB(A)

Get In Touch

Call: [0845 6880112](tel:08456880112)
 Email: info@adremit.co.uk

Our Address

Puravent, Adremit Limited, Unit 5a, Commercial Yard,
 Settle, North Yorkshire, BD24 9RH



Protection / Classification

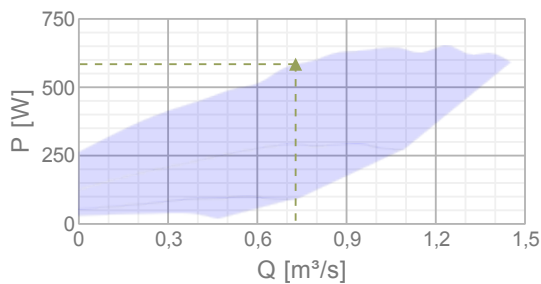
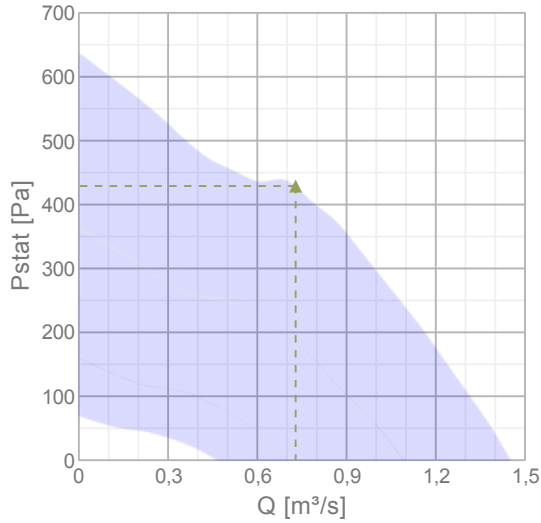
Insulation class	F
Enclosure class, motor	IP54

ErP

ErP ready	ErP 2018
-----------	----------

Diagrams

Diagrams



Max efficiency

Hydraulic data										
▲ Working air flow	0,729 m³/s									
▲ Working static pressure	429 Pa									
▲ Power	584 W									
Speed	1579 r.p.m.									
Current	2,66 A									
SFP	0,802 W/(l/s)									
Voltage	230 V									
Sound power level		63	125	250	500	1k	2k	4k	8k	Tot
Inlet	dB(A)	58	69	70	70	70	69	64	56	77
Outlet	dB(A)	60	70	74	76	77	75	70	61	82
Surrounding	dB(A)	42	61	59	55	55	54	47	39	65

Name: **RS 70-40 EC SILEO** | Item no.: **92930**

2 / 5

Document type: **Product card** | Document date: **2019-06-25** | Generated by: **Online catalogue**

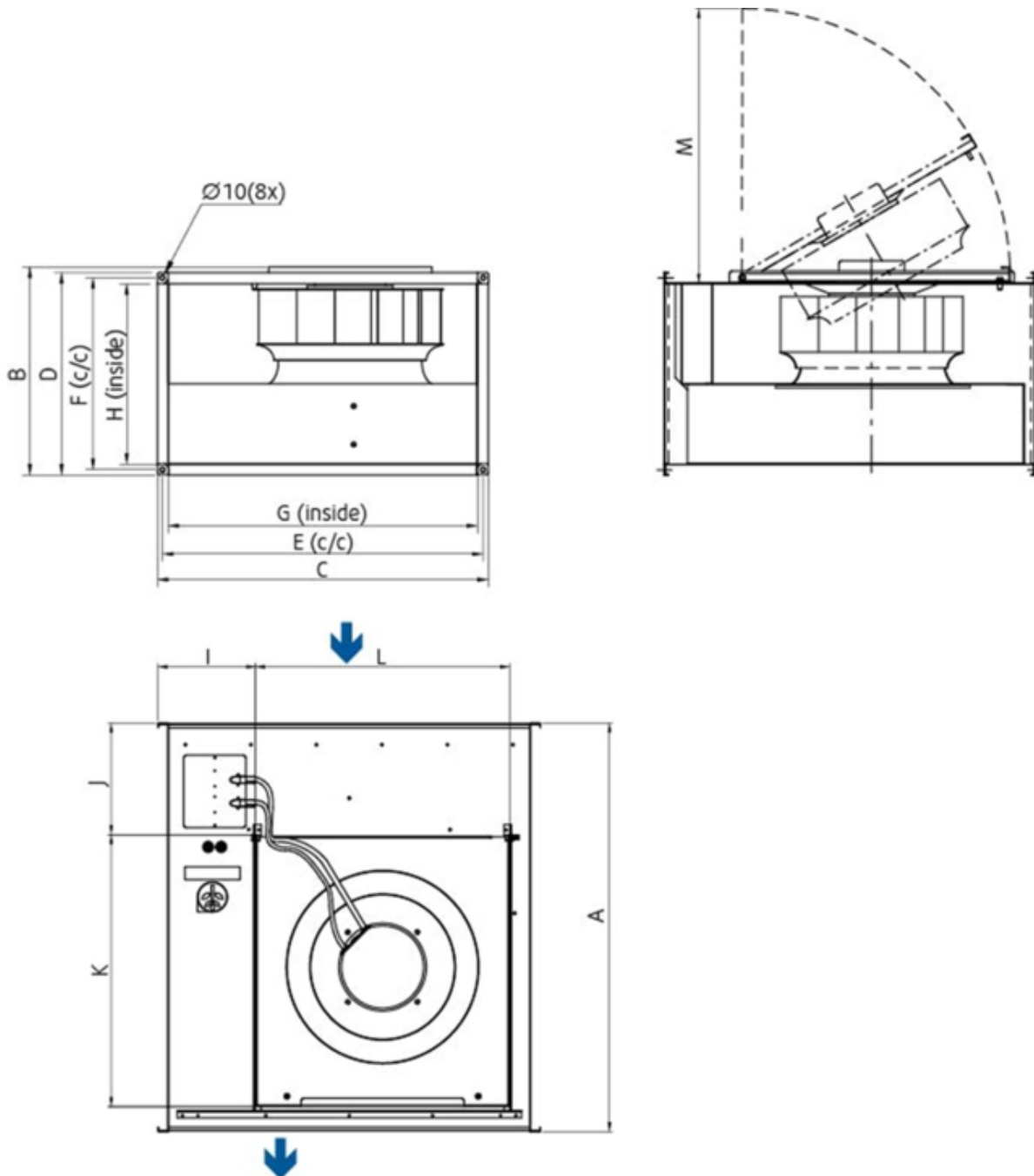
Get In Touch

 **Call:** [0845 6880112](tel:08456880112)
 **Email:** info@adremit.co.uk

Our Address

Puravent, Adremit Limited, Unit 5a, Commercial Yard,
Settle, North Yorkshire, BD24 9RH

Dimensions



RS EC/AC	A	B	C	D	E	F	G	H	I	J	K	L	M
70-40	787	465	740	440	720	420	698	398	189	215	524	491	518
80-50	882	580	840	541	820	520	798	498	182,5	191	644	614	638
100-50	982	580	1040	540	1020	520	998	498	287	260	684	634	678

Name: **RS 70-40 EC SILEO** | Item no.: **92930**

Document type: **Product card** | Document date: **2019-06-25** | Generated by: **Online catalogue**

3 / 5

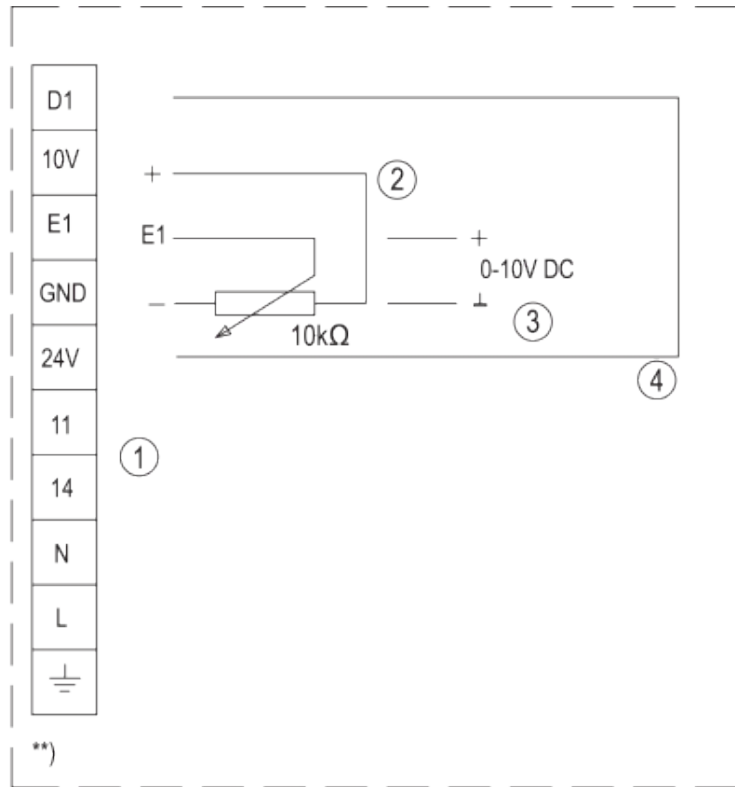
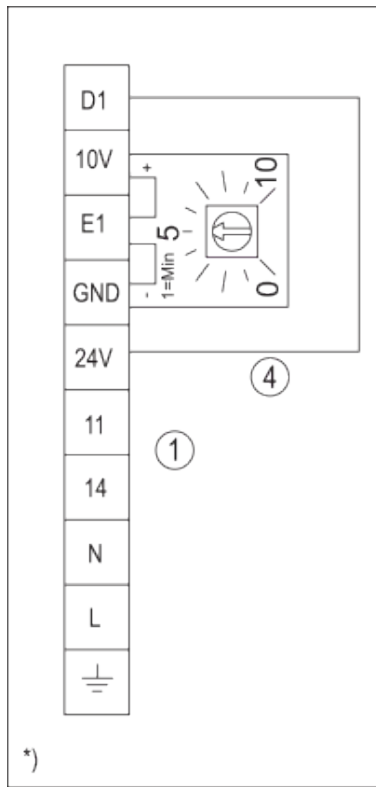
Get In Touch

Call: [0845 6880112](tel:08456880112)
 Email: info@adremit.co.uk

Our Address

Puravent, Adremit Limited, Unit 5a, Commercial Yard,
 Settle, North Yorkshire, BD24 9RH

Wiring



*) = Internal potentiometer

***) = External speed control

1 11 & 14 = Alarm

For operation the relay is energized, connections "11" and "14" are bridged.

For fault the relay is de-energized (Diagnostics/faults).

Contact rating max. AC 250V 2A.

2 External potentiometer

3 External input DC 0...10V

4 External ON / OFF control via potential free contact

Accessories

Electric accessories

[RT 0-30 Room Thermostat \(5151\)](#)

[CO2RT-R-D Transmitter \(6993\)](#)

[Presence detector/IR24-P \(6995\)](#)

[MTV-1/010 Controller 0...10V+ \(30650\)](#)

[MTP 10, 10K, Speed control \(32731\)](#)

[DTV200 \(6261\)](#)

[EC-Vent Room Unit \(3018\)](#)

[EC-Vent control board \(3115\)](#)

[REV-5POL/05 ON/OFF \(33979\)](#)

[MTP 20, on/off, 3-step \(310220\)](#)

[EC-Basic-H humidity \(24807\)](#)

[EC-Basic-T temperature \(24805\)](#)

[EC-Basic-U universal 0-10V \(24806\)](#)

[EC-Basic-CO2 and temperature \(24808\)](#)

[S-5EC/FRQ \(76738\)](#)

[DTV500A \(96807\)](#)

Get In Touch



Call: [0845 6880112](tel:08456880112)



Email: info@adremit.co.uk

Our Address

Puravent, Adremit Limited, Unit 5a, Commercial Yard,
Settle, North Yorkshire, BD24 9RH

Accessories

[RBM 70-40/27 400V/3 Duct heater \(5455\)](#)

[PGK 70-40-3-2,0 Duct cooler \(6616\)](#)

[VBR 70-40-2 Water heating batt \(5468\)](#)

[VBR 70-40-3 Water heating batt \(5476\)](#)

[LDR 70-40 Silencer \(5074\)](#)

[FFK 70-40 Filter cassette rect \(1762\)](#)

[DS 70-40 Flexible connection \(1551\)](#)

[GFL 70-40 Counter flange \(2710\)](#)

[VK-70-40 Louvre shutter \(5652\)](#)

[WSG 70-40 weather prot. guard \(30594\)](#)

[SRK 70-40 Class 3 Damper \(7025\)](#)

[DXRE 70-40-3-2,5 Duct cooler \(7957\)](#)

[RB 70-40/27-2 400V/3 Duct heat \(9645\)](#)

[RB 70-40/45-3 400V/3 Duct heat \(9646\)](#)

[RKT-SYS-700x400-S \(43636\)](#)

[RK-SYS-700x400-R \(43648\)](#)

[RK-SYS-700x400-S \(43657\)](#)

Documentation



202341_Fans_Instructions_CE_A010.pdf (1,83MB)



EC-fans_Operation_and_maintenance_instr_206268_CE_(A022).pdf (2,88MB)

Specification text

Rectangular duct fan for easy and direct installation in ducts. For extract and supply air installations.

Galvanized sheet steel housing. Service cover. The fan unit is mounted on the service cover for easy cleaning and maintenance. Free-running, backward curved circular impeller made of composite PA6. Impeller acc. to VDI 2060, balancing quality G 6.3, dynamically balanced in two planes.

EC-external rotor motor, maintenance-free, the motor is placed inside the air flow for cooling. Integrated, electronic motor protection. Integrated speed controller, the fan is equipped with a potentiometer (0-10V) to set the operating point directly. Integrated, electronic motor protection.

Installation in any mounting position. For indoor installation.

Get In Touch



Call: [0845 6880112](tel:08456880112)



Email: info@adremit.co.uk

Our Address

Puravent, Adremit Limited, Unit 5a, Commercial Yard,
Settle, North Yorkshire, BD24 9RH